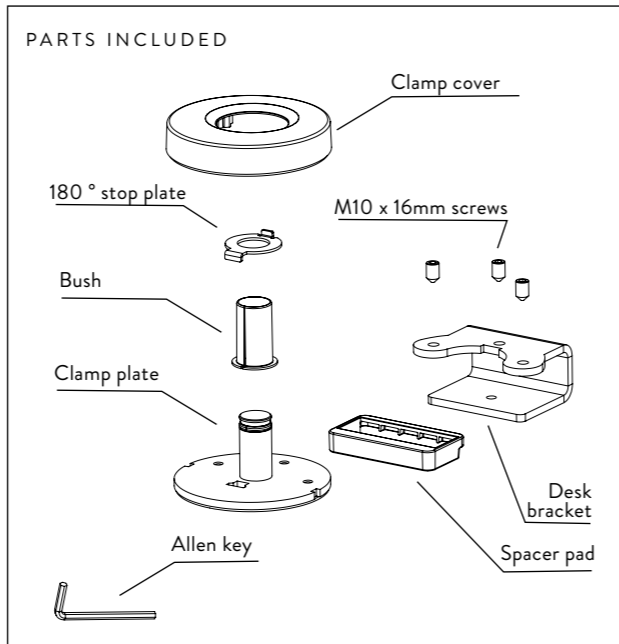
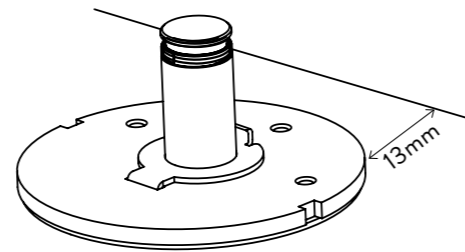


**FLO PLUS TOP MOUNT CLAMP**

DYN-026-A34-INST-A-SEP 2015

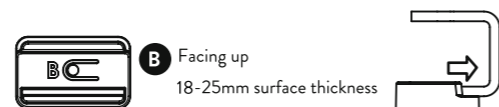
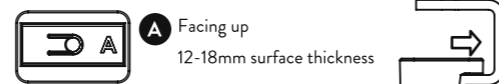
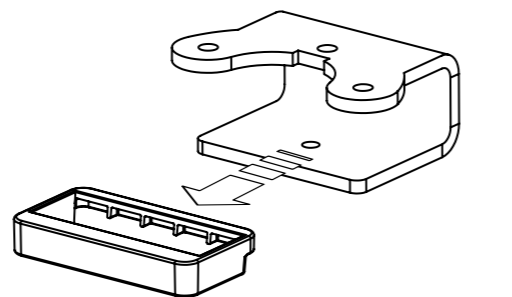


**1 POSITION CLAMP PLATE ONTO WORK SURFACE**

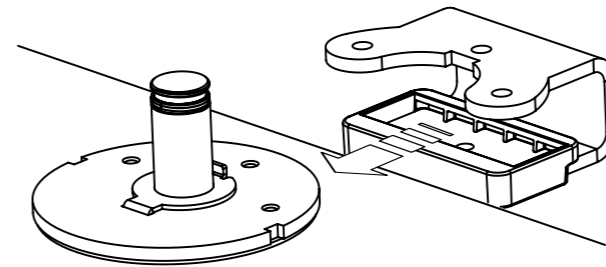


Position clamp 13mm from edge of desk

**2 CONFIGURE SPACER PAD**

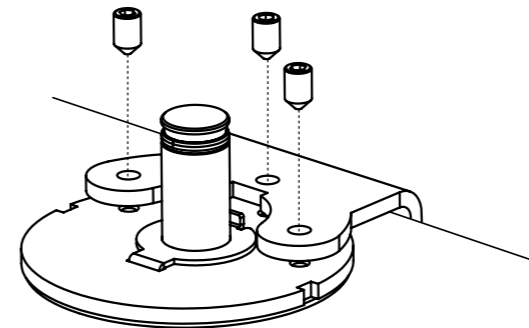


**3 FIT C-BRACKET**

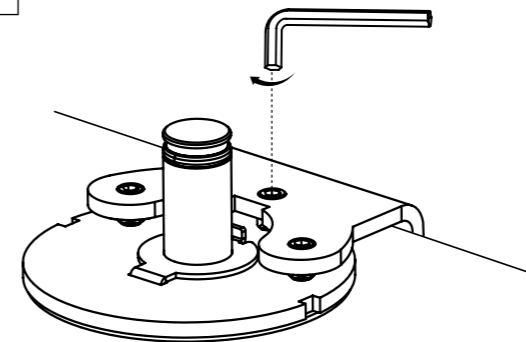


**IMPORTANT NOTE**  
Ensure inside of bracket is flush against back of work surface

**4 FIT CLAMP SCREWS**

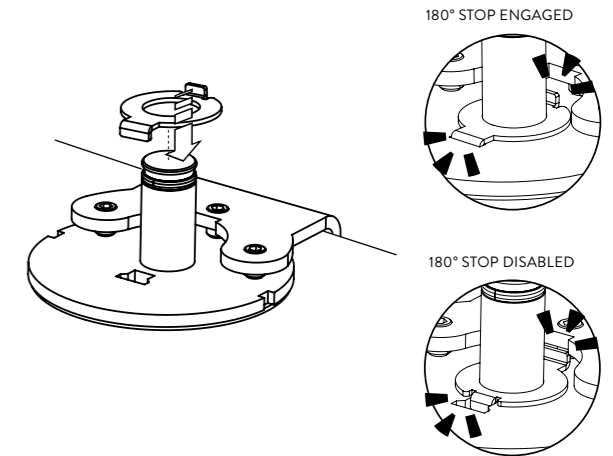


**5 FULLY TIGHTEN SCREWS**

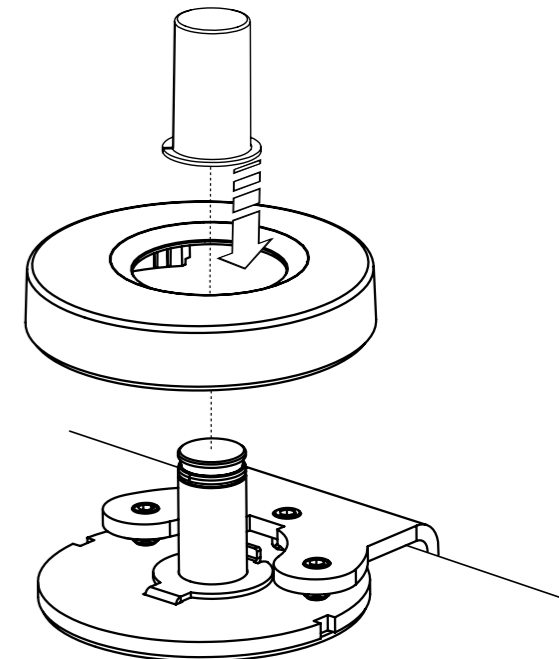


**IMPORTANT NOTE**  
Ensure screws are equally tightened

**6 CONFIGURE 180° STOP COMPONENT**



**7 FIT CLAMP COVER AND BUSH**



**WARNING**

- Do not use this product for any purpose other than that for which it was designed
- Ensure desk/work surface is suitable to take the weight of the arm/s and monitors
- Supported weight must not exceed the maximum load per arm
- Take care when installing as fingers could become trapped

**MAINTENANCE AND INSPECTION**

- Ensure all screws and fixings are fully tightened and occasionally re-tighten if necessary.
- Clean with a damp cloth. DO NOT use solvents.

**DISCLAIMERS**

- The use of power tools, lever bars or excessive force during the installation, or re-configuration of the product will invalidate your guarantee
- Failure to observe the recommendations in the use, and configuration of these products may affect your guarantee