

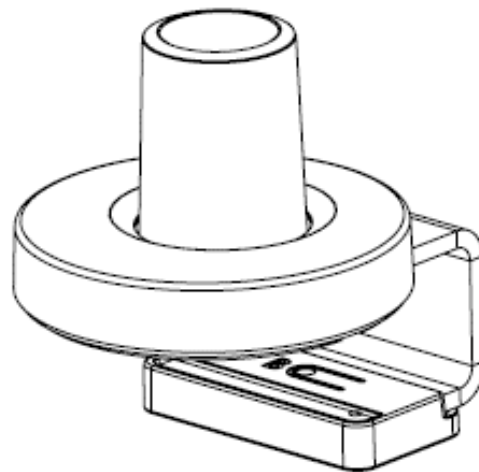
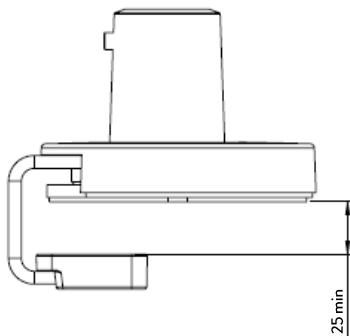
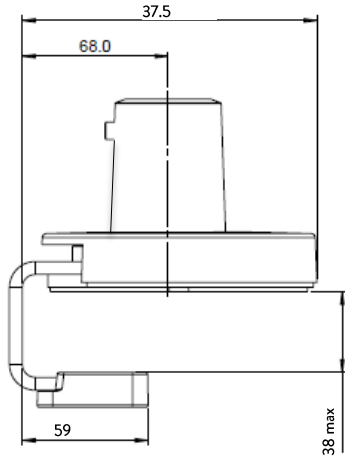


# TECHNICAL SPECIFICATION SHEET

**PRODUCT NAME:** Universal High Load Top Mount Clamp

**PRODUCT CODE:** UNI/HLC/002

Doc Rev 2. 26.10.15. CF



\*Note dimensions provided are measured in mm

## KEY FEATURES

- Mounts WSH post system to work surface
- Soft Pads protects work surface from damage
- Clamp pad ensures secure grip without damaging underside of work surface
- Designed for applications where there is a greater weight requirement
- Suitable for desk thickness from 25-38mm

<b>Product Classification</b>	Brackets, Clamps and Fixings
<b>Max load</b>	Dependant on Arm load
<b>Build level</b>	#A
<b>Recycled content</b>	26%
<b>Total product recyclable</b>	100%

## LOGISTICAL

---

<b>Box contains</b>	Clamp, clamp screws
<b>Product net weight</b>	1.6 kg
<b>Box dims (HxWxD)</b>	190 x 145 x 140 mm
<b>Box gross weight</b>	1.9 kg
<b>Carton quantity</b>	8
<b>Master dims (HxWxD)</b>	310 x 425 x 310 mm
<b>Master weight</b>	15.7 kg
<b>Country of origin</b>	China
<b>Country of configuration</b>	UK

## ORDERING INFORMATION

---

<b><u>Colour</u></b>	<b><u>Product code</u></b>	<b><u>EAN</u></b>
Silver	UNI/HLC/002	5060270822738

## WARRANTY

---

<b>Warranty Term</b>	Limited lifetime
----------------------	------------------

## COMPLIANCE & SAFETY CERTIFICATION

---

Whilst no mandatory standards apply to the monitor arm product sector, all Colebrook Bosson Saunders monitor arms have been designed with appropriate articulation features, dimensional range and adjustability to conform to the requirements of BS EN ISO 9241:5 1999 Ergonomic requirements for office work with visual display terminals (VDTs).

<b>Conformance certification</b>	N/A
<b>Test authority</b>	CBS
<b>Safety certification</b>	N/A

## ENVIRONMENTAL

---

<b>Material type</b>	<b>Material type</b>	<b>% PIR of</b>	<b>% PCR of</b>	<b>% of total product</b>
<b>Weight</b>		<b>total weight</b>	<b>total weight</b>	<b>recyclable</b>
Aluminium Die Cast	250g	3.12%	6.23%	15.58%
Plastic	65.2g	0.20%	0.20%	4.06%
Rubber	26.1g	0%	0%	1.63%
Steel	1263.1g	0%	19.68%	78.73%
Other	0g	0%	0.00%	0%
<b>Total</b>	<b>1604.4g</b>	<b>3.32%</b>	<b>26.12%</b>	<b>100.00%</b>

## CLEANING, STORAGE & MAINTENANCE

---

<b>Routine servicing</b>	Periodic inspection
<b>Service components</b>	Available to order
<b>Cleaning &amp; Maintenance</b>	Damp cloth, no abrasives, no solvents to be used on the cosmetic surfaces
<b>Handling &amp; Storage</b>	Do not drop or expose to moisture

---

Colebrook Bosson Saunders (Products) Ltd accept no liability for the accuracy of the information contained herein and retain the right to modify the specifications or data contained herein without prior notification.