

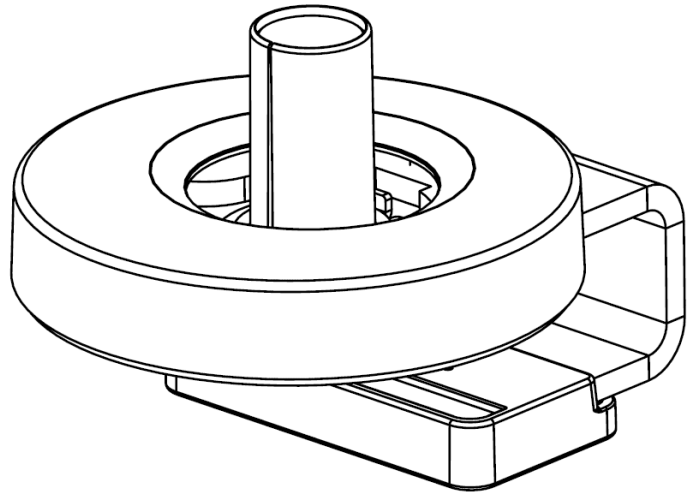
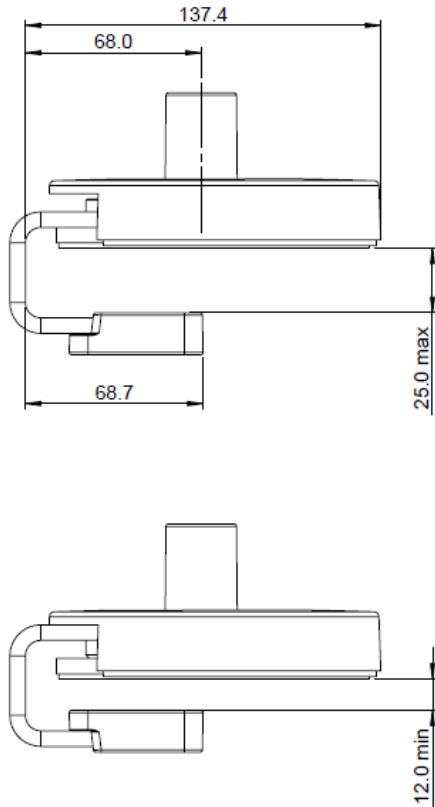


TECHNICAL SPECIFICATION SHEET

PRODUCT NAME: Flo Plus Top Mount Clamp

PRODUCT CODE: DYN/026/A34

Doc Rev1. 02.04.2015. CF



*Note dimensions provided are measured in mm

KEY FEATURES

- Compatible with Flo Plus Dynamic Monitor Arm.
- Top access screw position permits easy fitting from above-desk position.
- Attractive cover conceals fixing screws.
- Moulded pads protect work surface above and below desk.
- Configurable 180° stop system.

Product Classification	Brackets, Clamps & Fixings
Min load	18kg (39.6lb)
Clamping range	12-25mm work surface thickness
Build level	#A
Recycled content	24%
Total product recyclable	100%

LOGISTICAL

Box contains	Clamp assembly and allen keys.
Product net weight	1.6kg
Box dims (HxWxD)	115 x 140 x 145 mm
Box gross weight	1.8kg
Carton quantity	8
Master dims (HxWxD)	300 x 240 x 300 mm
Master weight	14.5kg
Country of origin	China
Country of configuration	UK

ORDERING INFORMATION

<u>Colour</u>	<u>Product code</u>	<u>EAN</u>
White	DYN/026/A34/W	5060270821595
Silver	N/A	N/A
Black	N/A	N/A

WARRANTY

Warranty Term	Limited lifetime warranty
---------------	---------------------------

COMPLIANCE & SAFETY CERTIFICATION

Whilst no mandatory standards apply to the monitor arm product sector, all Colebrook Bosson Saunders monitor arms have been designed with appropriate articulation features, dimensional range and adjustability to conform to the requirements of BS EN ISO 9241:5 1999 Ergonomic requirements for office work with visual display terminals (VDTs).

Conformance certification	BS EN ISO 9241:5 1999 Ergonomic Requirements for office work with visual display terminals (VDTs). FIRA certificate of conformance pending.
Test authority	CBS
Safety certification	N/A

ENVIRONMENTAL

Material type	Material type Weight	% PIR of total weight	% PCR of total weight	% of total product recyclable
Plastic	71.7g	0.23%	0.23%	4.56%
Rubber	28g	0%	0%	1.78%
Steel	1473.5g	0%	23.42%	93.66%
Stainless Steel	0g	0%	0%	0%
Zinc	0g	0%	0%	0%
Brass	0g	0%	0%	0%
Total	1573.2g	0.23%	23.64%	100%

CLEANING, STORAGE & MAINTENANCE

Routine servicing	Periodic inspection
Service components	Available to order
Cleaning & Maintenance	Damp cloth, no abrasives, no solvents to be used on the cosmetic surfaces
Handling & Storage	Do not drop or expose to moisture

Colebrook Bosson Saunders (Products) Ltd accept no liability for the accuracy of the information contained herein and retain the right to modify the specifications or data contained herein without prior notification.