



TECHNICAL SPECIFICATION SHEET

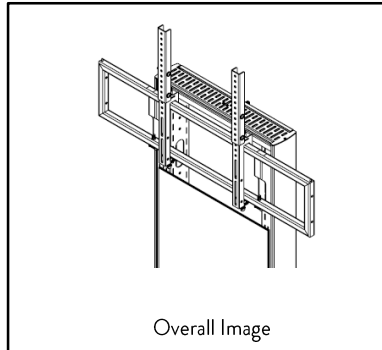
PRODUCT NAME: AV/VC One Vesa Extension Kit

PRODUCT CODE: AVS/021/EXT1

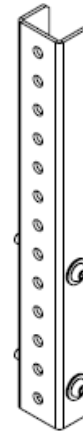
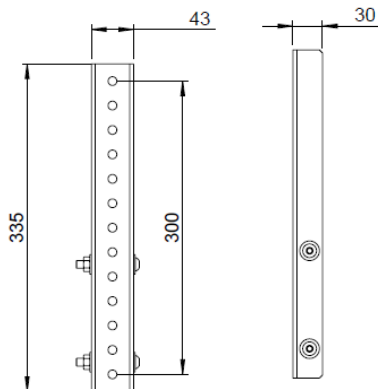
Doc Rev 1.

Product Rev #A

24.05.2016. CF



Overall Image



IMPORTANT: Mounting screen(s) in a higher position on the AV/VC One structure may affect the stability of the installation. CBS recommends that when using the VESA Extension Kit, the AV/VC One should be given additional stabilising support, for example by attaching it to the wall using the AV/VC One Wall Brace Kit (Product Code AVS/021/WBK1.)

*Note that dimensions provided are measured in mm

KEY FEATURES

- Permits mounting of screens in a higher (or lower) position on the AV/VC One structure
- Permits mounting of screens with larger VESA size, i.e. up to 600mm x 600mm.
- Extensions simply fix onto the existing AV/VC One VESA bars.

Product Classification

AV Products

Max load

Single: 60 kg (132 lbs)

Dual: 120 kg (265 lbs)

Max Screen Size

Single: 55" > 80"

Dual: 55" > 65" (per screen)

Recycled content

TBC

Total product recyclable

TBC

LOGISTICAL

Box contains	TBC
Product net weight:	TBC
Box dims (HxWxD)	TBC
Box gross weight	TBC
Carton quantity	TBC
Master dims (HxWxD)	TBC
Master weight	TBC
Country of origin	Czech Republic
Country of configuration	UK

ORDERING INFORMATION

<u>Product Description</u>	<u>Product code</u>	<u>Colour</u>
AV/VC One Vesa Extension Kit	AVS/021/EXT1	:/W White or :/B Black

WARRANTY

Warranty Term	Limited lifetime
----------------------	------------------

COMPLIANCE & SAFETY CERTIFICATION

Whilst no mandatory standards apply to the AV/VC One accessory product sector, this product is tested to CBS's own standard which is based on UL 1678, (Tall display stands in public spaces, excluding hospitals, schools or similar environments where children, people with diminished capacity or disabilities are likely to move

Conformance certification	N/A
Test authority	CBS
Safety certification	N/A

ENVIRONMENTAL

Material type	Material type Weight	% PIR of total weight	% PCR of total weight	% of total product recyclable
----------------------	---------------------------------	----------------------------------	----------------------------------	--

TBC

CLEANING, STORAGE & MAINTENANCE

Routine servicing	Periodic inspection
Service components	Available to order
Cleaning & Maintenance	Damp cloth, no abrasives, no solvents to be used on the cosmetic surfaces
Handling & Storage	Do not drop or expose to moisture

Colebrook Bosson Saunders (Products) Ltd accept no liability for the accuracy of the information contained herein and retain the right to modify the specifications or data contained herein without prior notification.