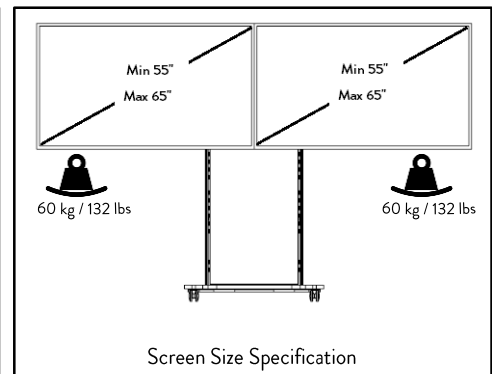
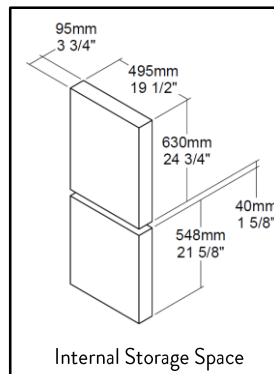
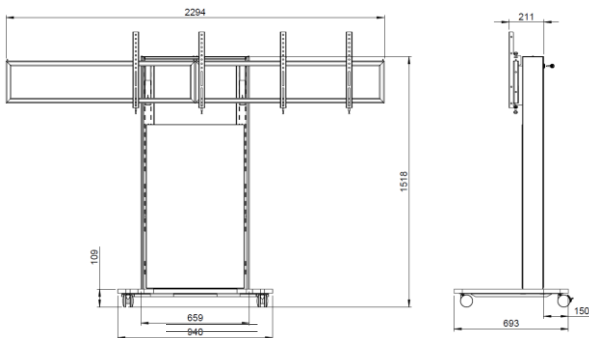
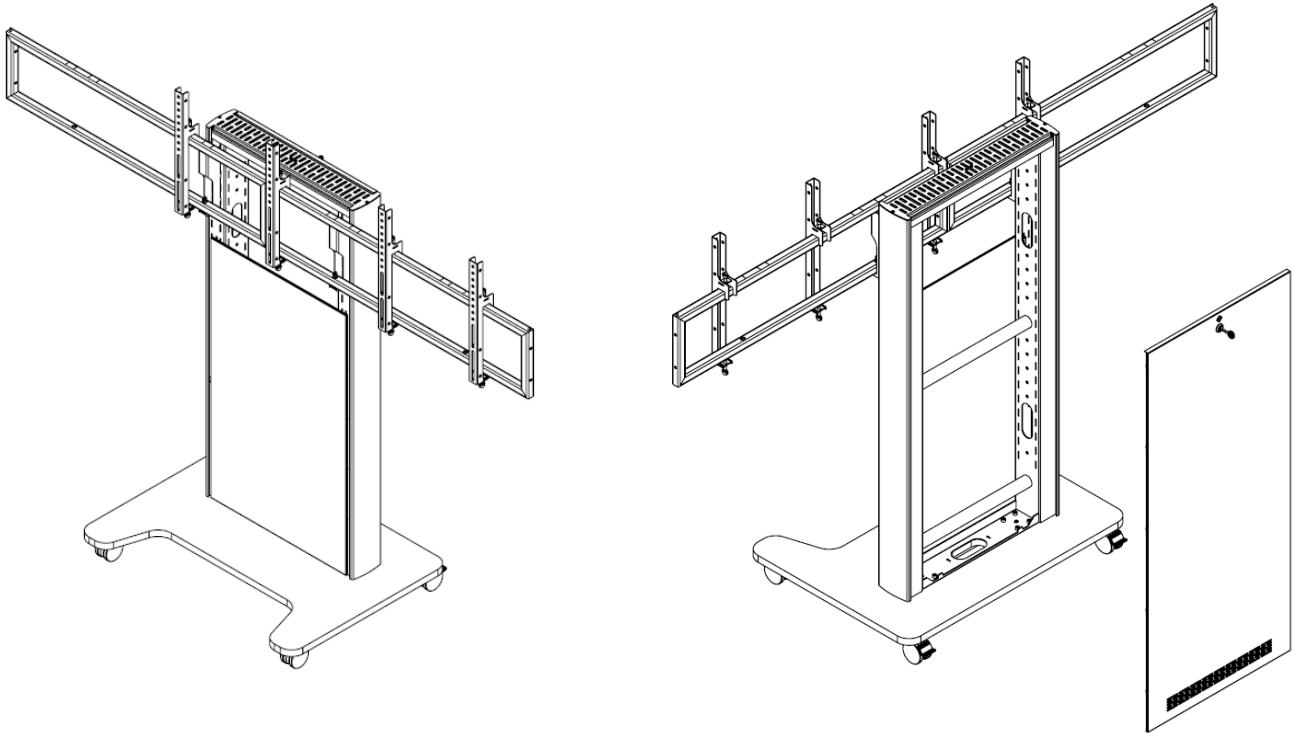




# Product Configuration Sheet

## AV/VC One – Dual Screen Standard Configuration

Doc Rev 1. 24.05.2016.



\*Note that dimensions provided are measured in mm

### KEY FEATURES

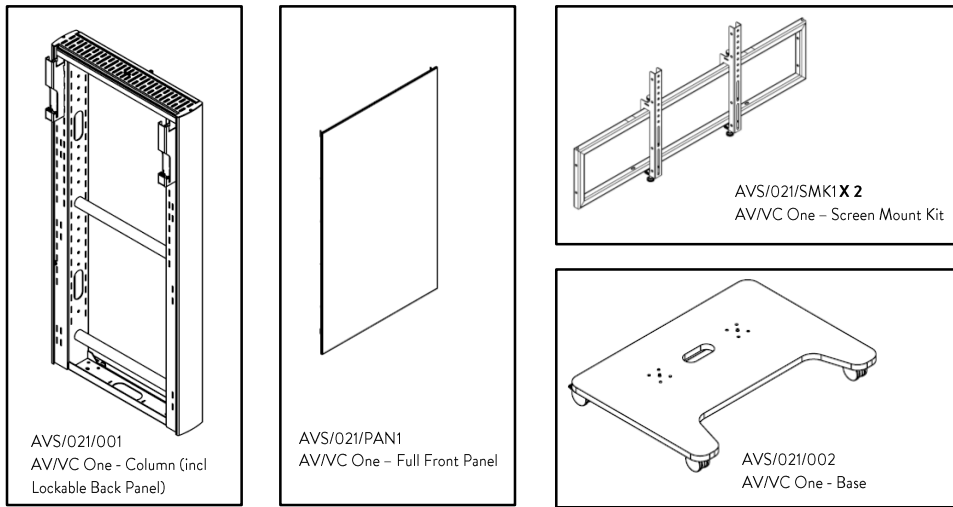
- Suitable for mounting large dual format display screens from 55" to 65" in screen size / max weight 60kg per screen
- Fine height adjustment for perfect dual screen alignment
- Column designed for storing equipment securely with lockable back panel
- Hooking system to permit quick and easy mounting of core parts and accessories
- Ventilation panel in the column ensures air circulation for enclosed equipment
- Low profile base includes a cut out at the front to allow easy access for touch screen use
- Cable management featured throughout product
- Lockable castors

## ORDERING INFORMATION

---

In order to achieve the AV/VC One – Dual Screen Standard configuration please order the below parts

<b><u>Product Description</u></b>	<b><u>Product code</u></b>	<b><u>Colour</u></b>
AV/VC One Column incl Back Panel	AVS/021/001	:/W White or :/B Black
AV/VC One Screen Mount Kit <b>x2</b>	AVS/021/SMK	:/W White or :/B Black
AV/VC One Base	AVS/021/002	:/W White or :/B Black
AV/VC One Full Front Panel	AVS/021/PAN1	:/W White or :/B Black



Additional accessories available

## WARRANTY

---

**Warranty Term** Limited lifetime

## COMPLIANCE & SAFETY CERTIFICATION

---

Whilst no mandatory standards apply to the AV/VC accessory product sector, this product is tested to CBS's own standard which is based on UL 1678, (Tall display stands in public spaces, excluding hospitals, schools or similar environments where children, people with diminished capacity or disabilities are likely to move

<b>Conformance certification</b>	N/A
<b>Test authority</b>	CBS
<b>Safety certification</b>	N/A

## CLEANING, STORAGE & MAINTENANCE

---

<b>Routine servicing</b>	Periodic inspection
<b>Service components</b>	Available to order
<b>Cleaning &amp; Maintenance</b>	Damp cloth, no abrasives, no solvents to be used on the cosmetic surfaces
<b>Handling &amp; Storage</b>	Do not drop or expose to moisture

---

Colebrook Bosson Saunders (Products) Ltd accept no liability for the accuracy of the information contained herein and retain the right to modify the specifications or data contained herein without prior notification.

**For any further information please refer to the individual specification sheets**