



TECHNICAL SPECIFICATION SHEET

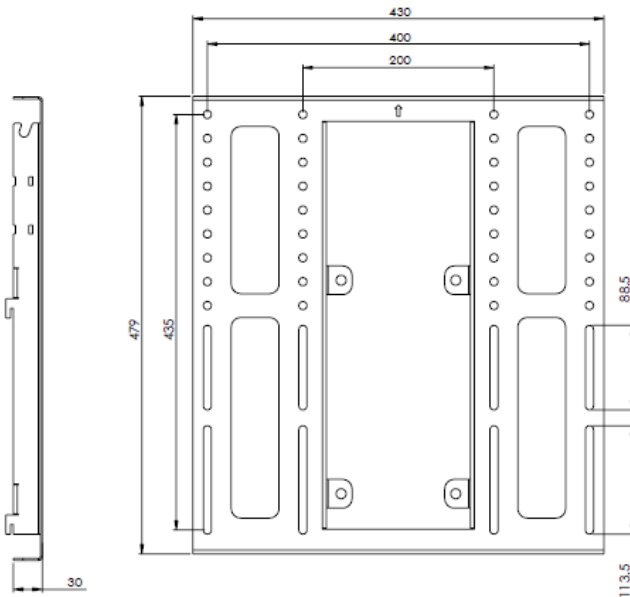
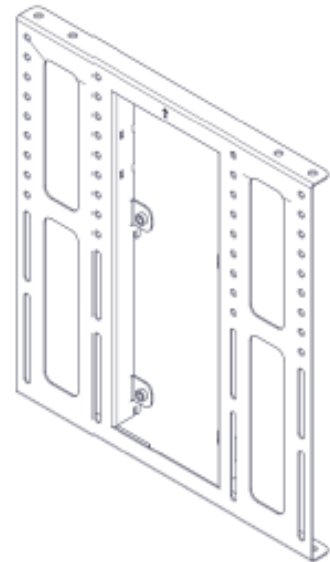
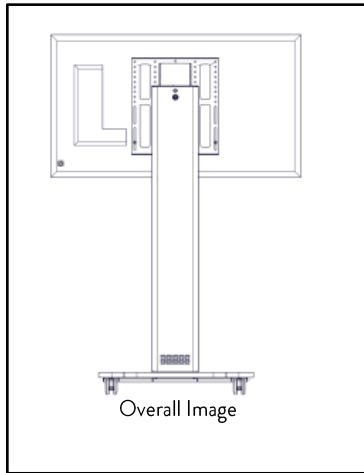
PRODUCT NAME: AV/VC Intro – Screen Mount Kit

PRODUCT CODE: AVS/031/SMK1

Doc Rev 1.

Product Rev #A

04.01.2017. CF



*Note that dimensions provided are measured in mm

KEY FEATURES

- Supports single screen formats from 55" to 80"
- Fine height adjustment for perfect dual screen alignment
- Screen Mounts lock into position for safety

Product Classification	AV Products
Max load	60 kg (132 lbs)
Max Screen Size	40" > 80"
Recycled content	12.9%
Total product recyclable	100%

LOGISTICAL

Box contains	Screen Mount Frame, Fixings
Product net weight:	2.4 kg
Box dims (HxWxD)	505 x 405 x 65 mm
Box gross weight	2.8kg
Pallet quantity	TBC
Pallet dims (HxWxD)	TBC
Master weight	TBC
Country of origin	Czech Republic
Country of configuration	UK

ORDERING INFORMATION

<u>Product Description</u>	<u>Product code</u>	<u>Colour</u>
AV/VC Intro – Screen Mount Kit	AVS/031/SMK1	:/W White or :/B Black

WARRANTY

Warranty Term	Limited lifetime
----------------------	------------------

COMPLIANCE & SAFETY CERTIFICATION

Whilst no mandatory standards apply to the AV/VC Intro accessory product sector, this product is tested to CBS's own standard which is based on UL 1678, (Tall display stands in public spaces, excluding hospitals, schools or similar environments where children, people with diminished capacity or disabilities are likely to move

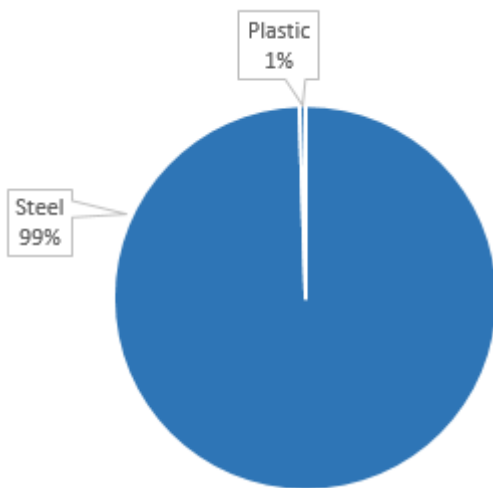
Conformance certification	N/A
Test authority	CBS
Safety certification	N/A

ENVIRONMENTAL

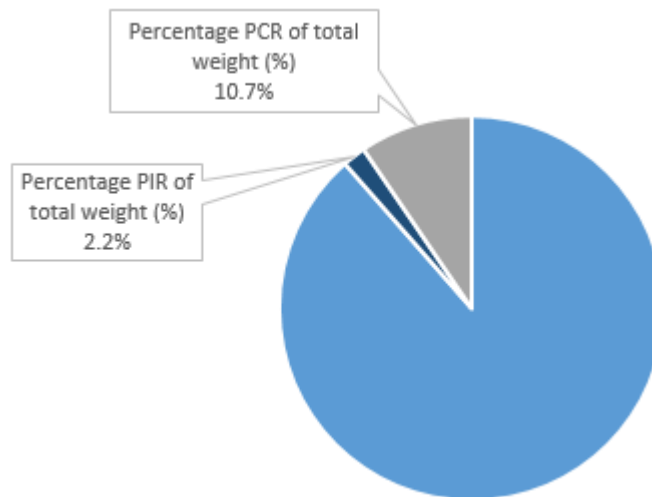
Material Make-up			Total Recycled Content	Breakdown of Recycled Content		Total Recyclable	
Overall Product			Overall Product			Overall Product	
Material type	Total Material type weight (g)	Percentage of Total Product Weight (%)	Material-Type Recycled Content (%)	Percentage PIR of total weight (%)	Percentage PCR of total weight (%)	Total Product Recyclable (g)	Total Product Recyclable (%)
Steel	2388	99.5%	12.9%	2.2%	10.7%	2388	99.5%
Plastic	12	0.5%	0.0%	0.0%	0.0%	12	0.5%
Total	2400	100.0%	12.9%	2.2%	10.7%	2400	100.0%

PIR = Post Industrial Recycled
PCR = Post Consumer Recycled

Total Product Weight (%)



Total Product Recycled Content (%)



CLEANING, STORAGE & MAINTENANCE

Routine servicing

Periodic inspection

Service components

Available to order

Cleaning & Maintenance

Damp cloth, no abrasives, no solvents to be used on the cosmetic surfaces

Handling & Storage

Do not drop or expose to moisture

Colebrook Bosson Saunders (Products) Ltd accept no liability for the accuracy of the information contained herein and retain the right to modify the specifications or data contained herein without prior notification.