



## TECHNICAL SPECIFICATION SHEET

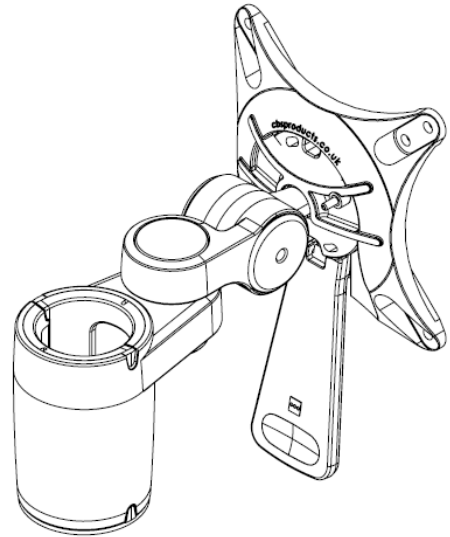
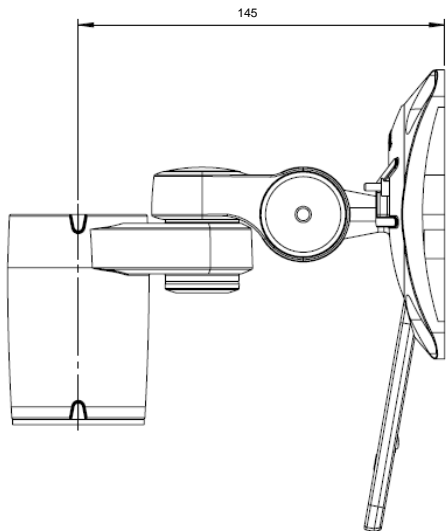
**PRODUCT NAME:** Daisy C-Post with Quick Release

**PRODUCT CODE:** COM/003

Doc Rev 2.

Product Rev: #1

18.07.16. CF



\*Note dimensions provided are measured in mm

### KEY FEATURES

- Easy to install - the arm comes pre-assembled
- Can combine with Daisyone Standard arm (COM/001) for multiscreen installations
- Fits with all CBS posts to give a wide range of height, aesthetic, cost options
- Over 180 degree vertical tilt to avoid glare

<b>Product Classification</b>	Monitor Arm
<b>Max load</b>	8.5kg (18.7lb)
<b>Recycled content</b>	58.54%
<b>Total product recyclable</b>	100%

## LOGISTICAL

---

<b>Box contains</b>	Monitor arms
<b>Product net weight:</b>	0.56 kg
<b>Box dims (HxWxD)</b>	120 x 124 x 205 mm
<b>Box gross weight</b>	0.59 kg
<b>Carton quantity</b>	12
<b>Master dims (HxWxD)</b>	420 x 260 x 385 mm
<b>Master weight</b>	10.26 kg
<b>Country of origin</b>	China
<b>Country of configuration</b>	UK

## ORDERING INFORMATION

---

<b><u>Product Description</u></b>	<b><u>Product code</u></b>	<b><u>Colour</u></b>
Daisy C-Post Monitor Arm	COM/003	:S Silver

## WARRANTY

---

<b>Warranty Term</b>	Limited lifetime
<b>Notes</b>	Excludes Quick Release mechanism – warranty 5 years

## COMPLIANCE & SAFETY CERTIFICATION

---

Whilst no mandatory standards apply to the monitor arm product sector, all Colebrook Bosson Saunders monitor arms have been designed with appropriate articulation features, dimensional range and adjustability to conform to the requirements of BS EN ISO 9241:5 1999 Ergonomic requirements for office work with visual display terminals (VDTs).

<b>Conformance certification</b>	N/A
<b>Test authority</b>	CBS
<b>Safety certification</b>	N/A

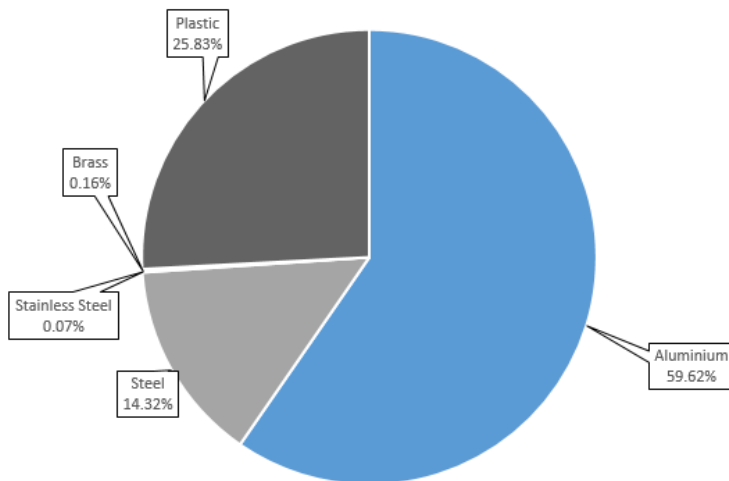
## ENVIRONMENTAL

Material Make-up			Total Recycled Content	Breakdown of Recycled Content		Total Recyclable	
Overall Product			Overall Product			Overall Product	
Material type	Total Material type weight (g)	Percentage of Total Product Weight (%)	Material-Type Recycled Content (%)	Percentage PIR of total weight (%)	Percentage PCR of total weight (%)	Total Product Recyclable (g)	Total Product Recyclable (%)
Aluminium	338.6	59.62%	56.64%	30.01%	26.62%	339	59.62%
Zinc	0	0.00%	0.00%	0.00%	0.00%	0	0.00%
Steel	81.3	14.32%	1.86%	0.32%	1.54%	81	14.32%
Stainless Steel	0.4	0.07%	0.04%	0.03%	0.02%	0	0.07%
Brass	0.9	0.16%	0.00%	0.00%	0.00%	1	0.16%
Plastic	146.7	25.83%	0.00%	0.00%	0.00%	147	25.83%
<b>Total</b>	<b>567.9</b>	<b>100.00%</b>	<b>58.54%</b>	<b>30.36%</b>	<b>28.18%</b>	<b>567.90</b>	<b>100.00%</b>

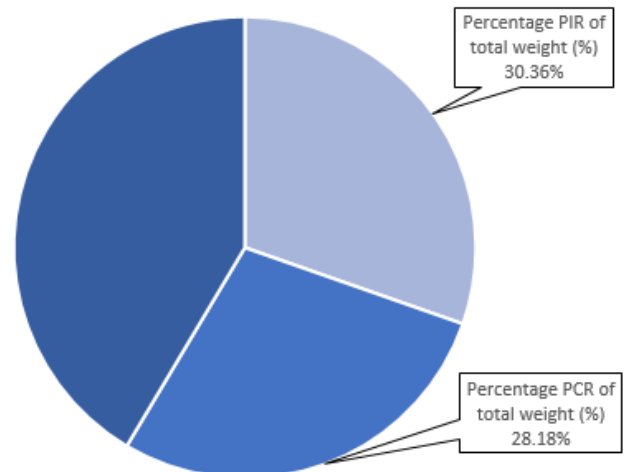
PIR = Post Industrial Recycled

PCR = Post Consumer Recycled

Total Product Weight (%)



Total Product Recycled Content (%)



## CLEANING, STORAGE & MAINTENANCE

### Routine servicing

Periodic inspection

### Service components

Available to order

### Cleaning & Maintenance

Damp cloth, no abrasives, no solvents to be used on the cosmetic surfaces

### Handling & Storage

Do not drop or expose to moisture

While every effort is made to ensure the accuracy of our technical information, Colebrook Bosson Saunders (Products) Ltd accept no liability for the accuracy of the information contained in this document and reserve the right to modify the specifications or data contained herein without prior notification.