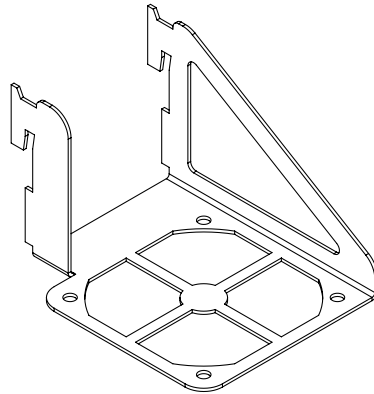




Installation Instructions for AV/VC One Fan Mount

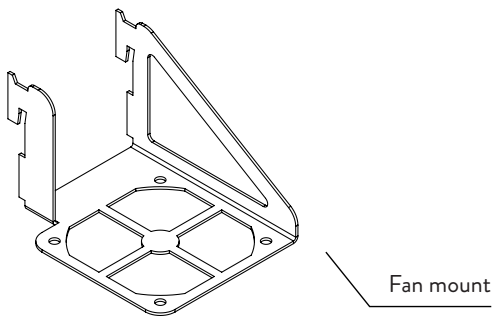
AVS/021/FAN1



REFER ALSO TO MAIN
INSTRUCTIONS FOR AV/VC
ONE STAND INSTALLATION

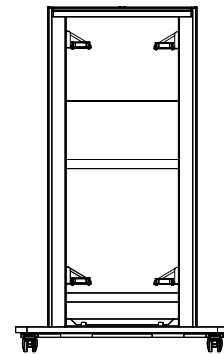


PARTS INCLUDED: AVS/021/FAN1



IMPORTANT NOTE

Choose position of fan(s)
within column to suit cooling
requirements and space
considerations



WARNING

- Do not install equipment heavier than 1kg/2.2lb.
- Use with products heavier than the maximum weights indicated may result in instability causing possible injury.
- Correct installation is essential to safe and reliable operation of the AV/VC One product and falls outside the scope of responsibility of Colebrook Bosson Saunders. Please follow assembly instructions carefully.
- Do not use this product for any purpose other than that for which it was designed.
- Ensure that floor or wall surface is strong enough to support the weight of the fully-loaded AV/VC One and that the floor surface is flat and level.
- Do not install AV/VC One outdoors or in environments where it will be directly exposed to moisture or highwinds.
- Follow the manufacturer's guidance for mounting of monitors, displays and other equipment.
- Please take care to avoid trapping fingers when installing or adjusting the product.

ELECTRICAL SAFETY

- Safe installation of electrical equipment is the responsibility of the installer.
- Colebrook Bosson Saunders recommends that only double-insulated electrical equipment and cables are installed in AV/VC One unit.

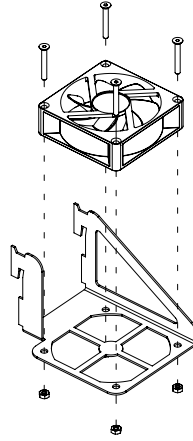
MAINTENANCE AND INSPECTION

- Ensure all screws and fixings are fully tightened and occasionally re-tighten if necessary.
- Clean with a dampcloth. DO NOT use solvents.

DISCLAIMER

As part of Colebrook Bosson Saunders ongoing product improvement programme, the design of products may change without prior notice and details may vary from those illustrated.

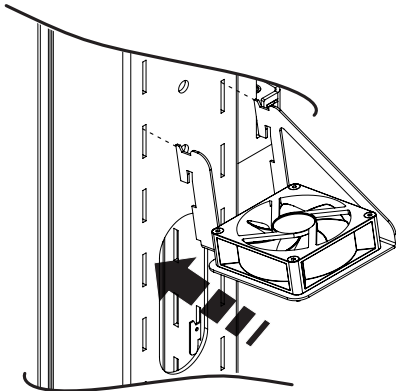
1



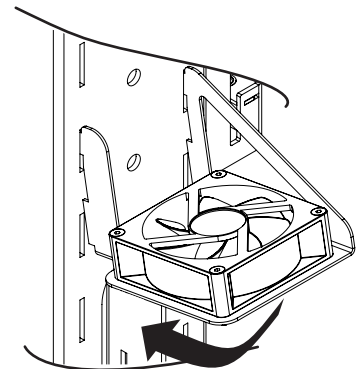
IMPORTANT NOTE

Fixings are not supplied.
Please source fixings
suitable for your chosen fan.

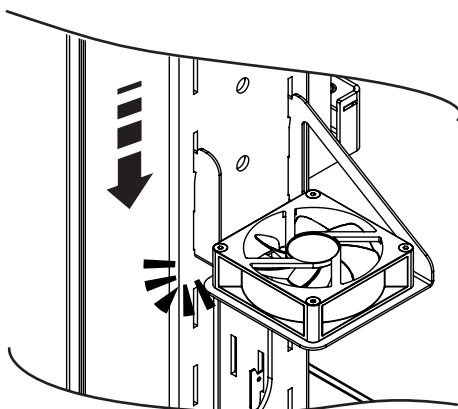
2.1



2.2



2.3



IMPORTANT NOTE

Ensure all hooks are fully
engaged.

INSTALLATION IS NOW COMPLETE



PLEASE CONSIDER LEAVING THESE INSTRUCTIONS WITH THE UNIT
IF FURTHER INSTALLATION MAY BE REQUIRED BY OTHERS



colebrook bosson saunders