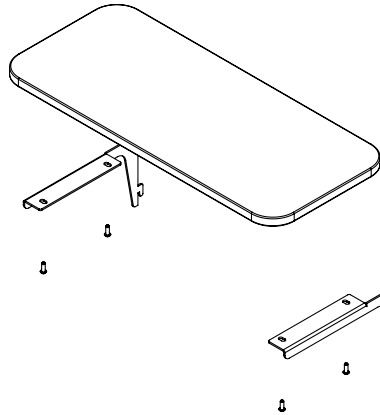




# Installation Instructions for AV/VC One Shelf Kit

AVS/021/SLF1

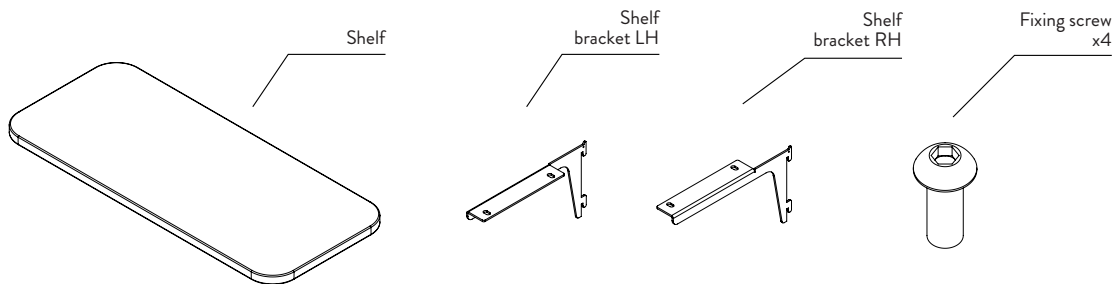


REFER ALSO TO MAIN  
INSTRUCTIONS FOR AV/VC  
ONE STAND INSTALLATION



## PARTS INCLUDED:

AVS/021/SLF1



## ⚠ WARNING

- Do not install equipment heavier than 6kg/13.2lb.
- Use with products heavier than the maximum weights indicated may result in instability causing possible injury.
- Correct installation is essential to safe and reliable operation of the AV/VC One product and falls outside the scope of responsibility of Colebrook Bosson Saunders. Please follow assembly instructions carefully.
- Do not use this product for any purpose other than that for which it was designed.
- Ensure that floor or wall surface is strong enough to support the weight of the fully-loaded AV/VC One and that the floor surface is flat and level.
- Do not install AV/VC One outdoors or in environments where it will be directly exposed to moisture or highwinds.
- Follow the manufacturer's guidance for mounting of monitors, displays and other equipment.
- Please take care to avoid trapping fingers when installing or adjusting the product.

## ⚠ ELECTRICAL SAFETY

- Safe installation of electrical equipment is the responsibility of the installer.
- Colebrook Bosson Saunders recommends that only double-insulated electrical equipment and cables are installed in AV/VC One unit.

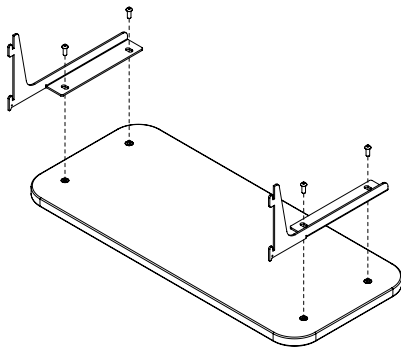
## ⚠ MAINTENANCE AND INSPECTION

- Ensure all screws and fixings are fully tightened and occasionally re-tighten if necessary.
- Clean with a dampcloth. DO NOT use solvents.

## ⚠ DISCLAIMER

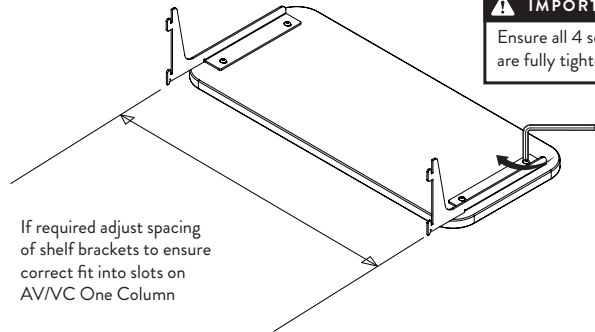
As part of Colebrook Bosson Saunders ongoing product improvement programme, the design of products may change without prior notice and details may vary from those illustrated.

## 1.1 FIX SHELF BRACKETS TO SHELF



## 1.2 FULLY TIGHTEN FIXINGS

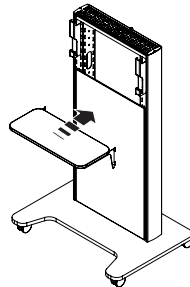
**⚠ IMPORTANT NOTE**  
Ensure all 4 screws are fully tightened



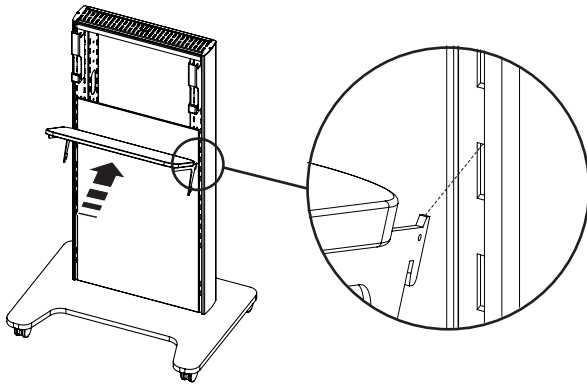
If required adjust spacing of shelf brackets to ensure correct fit into slots on AV/VC One Column

# Mount shelf to AV/VC One Column

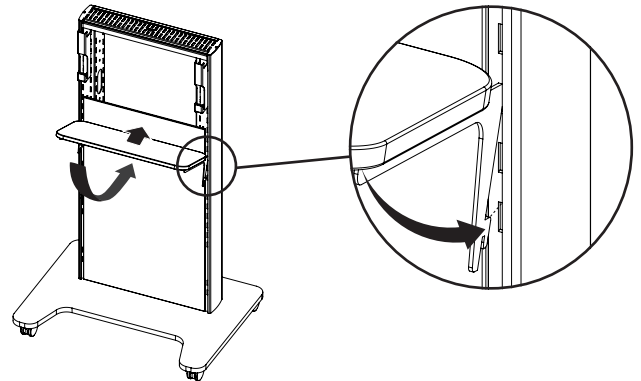
Choose preferred height according to equipment to be mounted



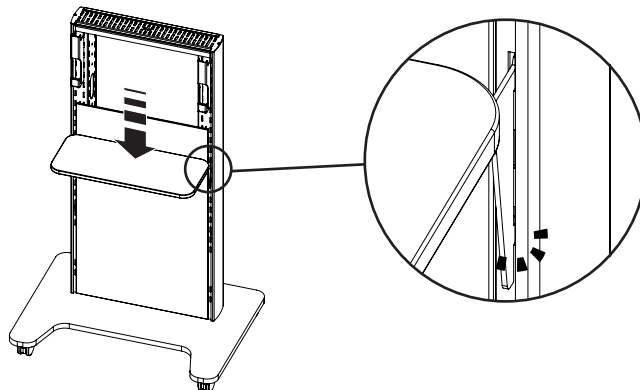
## 2.1



## 2.2



## 2.3



**⚠ IMPORTANT NOTE**  
Ensure that all mount hooks are fully engaged

INSTALLATION IS NOW COMPLETE



PLEASE CONSIDER LEAVING THESE INSTRUCTIONS WITH THE UNIT IF FURTHER INSTALLATION MAY BE REQUIRED BY OTHERS

