

## TECHNICAL SPECIFICATION SHEET

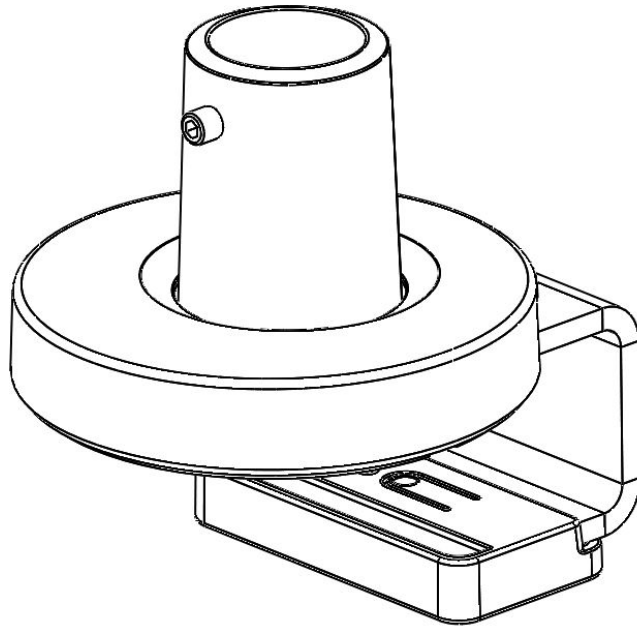
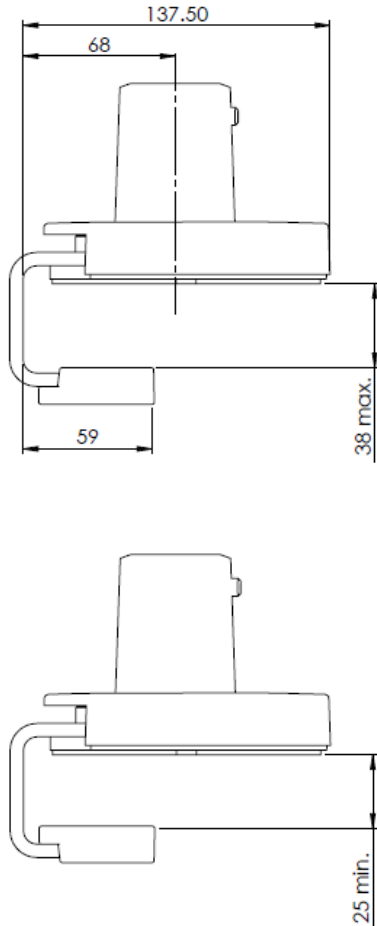
**PRODUCT NAME:** Universal High Load Top Mount Clamp

**PRODUCT CODE:** UNI/HLC/002

Doc Rev 3.

Product Rev #B

12.08.2016 CF



\*Note dimensions provided are measured in mm

### KEY FEATURES

- Mounts WSH post system to work surface
- Soft Pads protects work surface from damage
- Clamp pad ensures secure grip without damaging underside of work surface
- Designed for applications where there is a greater weight requirement
- Suitable for desk thickness from 25-38mm

<b>Product Classification</b>	Brackets, Clamps and Fixings
<b>Max load</b>	Dependant on Arm load
<b>Recycled content</b>	25%
<b>Total product recyclable</b>	100%

## LOGISTICAL

---

<b>Box contains</b>	Clamp, clamp screws
<b>Product net weight</b>	1.6 kg
<b>Box dims (HxWxD)</b>	190 x 145 x 140 mm
<b>Box gross weight</b>	1.9 kg
<b>Carton quantity</b>	8
<b>Master dims (HxWxD)</b>	310 x 425 x 310 mm
<b>Master weight</b>	15.7 kg
<b>Country of origin</b>	China
<b>Country of configuration</b>	UK

## ORDERING INFORMATION

---

<b><u>Product Description</u></b>	<b><u>Product code</u></b>	<b><u>Colour</u></b>
Universal High Load Top Mount Clamp	UNI/HLC/001	:/S Silver or :/B Black

## WARRANTY

---

<b>Warranty Term</b>	Limited lifetime
----------------------	------------------

## COMPLIANCE & SAFETY CERTIFICATION

---

Whilst no mandatory standards apply to the monitor arm product sector, all Colebrook Bosson Saunders monitor arms have been designed with appropriate articulation features, dimensional range and adjustability to conform to the requirements of BS EN ISO 9241:5 1999 Ergonomic requirements for office work with visual display terminals (VDTs).

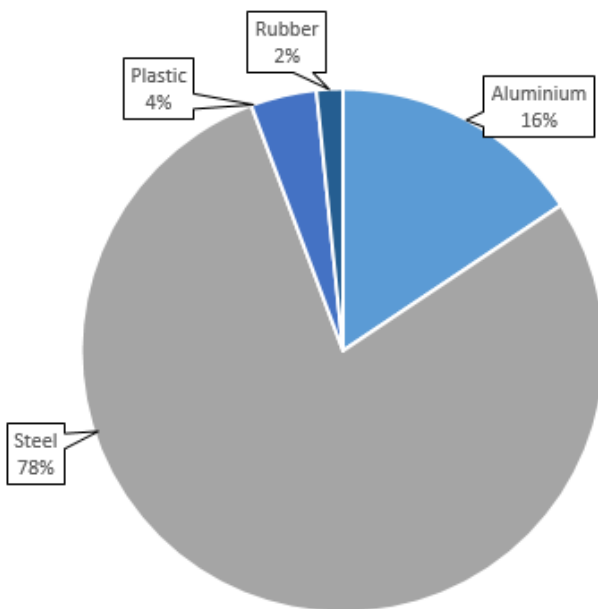
<b>Conformance certification</b>	N/A
<b>Test authority</b>	CBS
<b>Safety certification</b>	N/A

## ENVIRONMENTAL

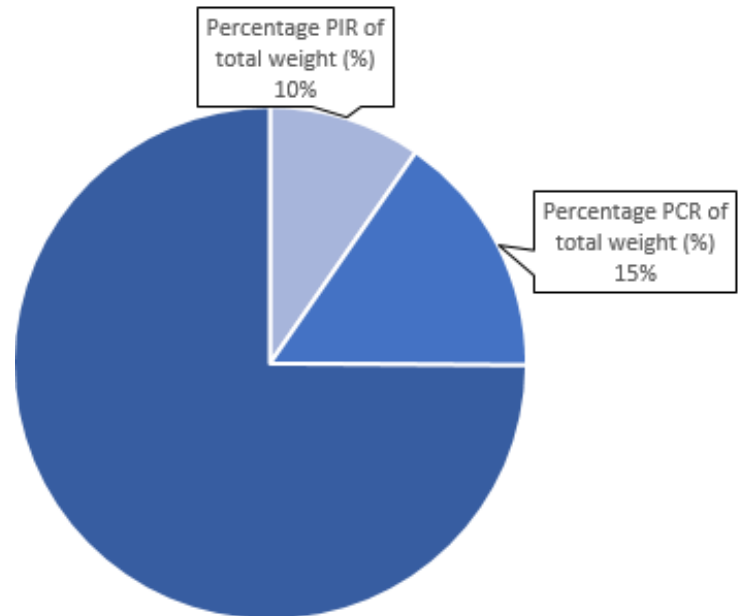
Material Make-up			Total Recycled Content	Breakdown of Recycled Content		Total Recyclable	
Overall Product			Overall Product			Overall Product	
Material type	Total Material type weight (g)	Percentage of Total Product Weight (%)	Material-Type Recycled Content (%)	Percentage PIR of total weight (%)	Percentage PCR of total weight (%)	Total Product Recyclable (g)	Total Product Recyclable (%)
Aluminium	250	16%	15%	8%	7%	250.00	16%
Steel	1263.1	78%	10%	2%	8%	1263.10	78%
Plastic	65.2	4%	0%	0%	0%	65.20	4%
Rubber	26.01	2%	0%	0%	0%	26.01	2%
<b>Total</b>	<b>1604.31</b>	<b>100%</b>	<b>25%</b>	<b>10%</b>	<b>15%</b>	<b>1604.31</b>	<b>100%</b>

PIR = Post Industrial Recycled  
PCR = Post Consumer Recycled

Total Product Weight (%)



Total Product Recycled Content (%)



## CLEANING, STORAGE & MAINTENANCE

### Routine servicing

Periodic inspection

### Service components

Available to order

### Cleaning & Maintenance

Damp cloth, no abrasives, no solvents to be used on the cosmetic surfaces

### Handling & Storage

Do not drop or expose to moisture

While every effort is made to ensure the accuracy of our technical information, Colebrook Bosson Saunders (Products) Ltd accept no liability for the accuracy of the information contained in this document and reserve the right to modify the specifications or data contained herein without prior notification.