



Jaw Installation Instructions

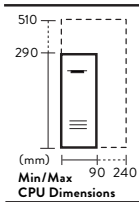
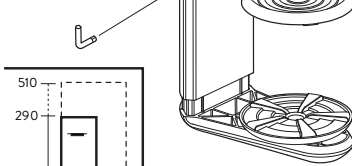
CPU/013



Adjustable CPU cradle

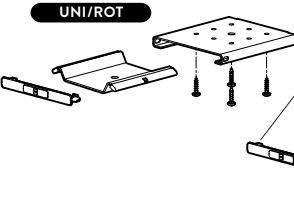
List of parts:

- JAW CPU holder
- M6 bolt
- shoulder washer
- plastic washer (black)
- clamping disc
- M6 Nyloc nut
- rubber pad
- short allen key

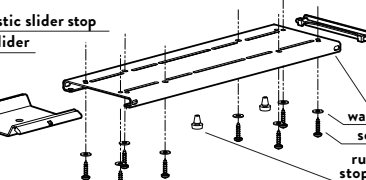


Mounting options

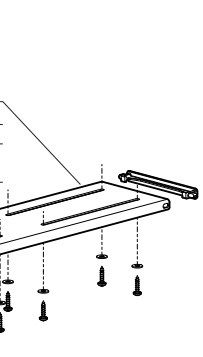
CPU holder mounting with rotating function



CPU holder fixing Slide & Rotate



CPU holder fixing Slide & Rotate

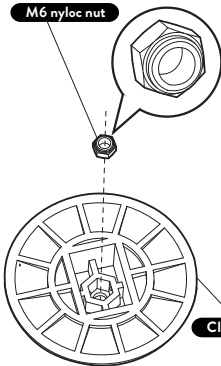


IMPORTANT
Use fixings supplied with JAW - as described below

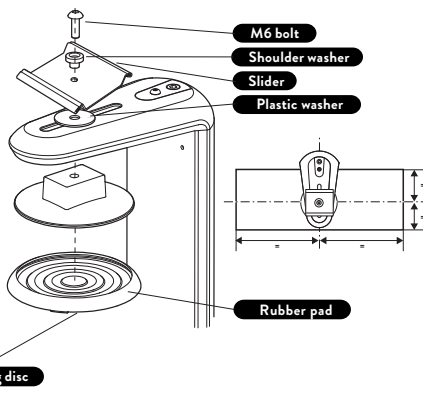
Assemble the JAW

Fit the slider plate

1A Insert nyloc nut into clamping disc. It should 'snap' into place.



1B Fit the slider plate. If necessary, adjust upper and lower clamp pads to hold CPU centrally.



Fix your CPU

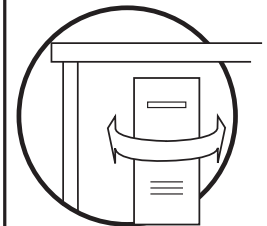
2 Unwind JAW to open up then tighten on CPU using allen key supplied.



NOTE
The use of excessive force when tightening may result in the damage of your CPU
Recommended tightening torque 1.5Nm to 2.5Nm

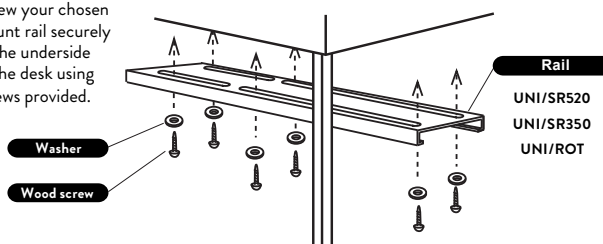
Mount to furniture Preparation

3 Make sure the CPU has enough space to rotate if required.



Mounting the bracket to the underside of the desk

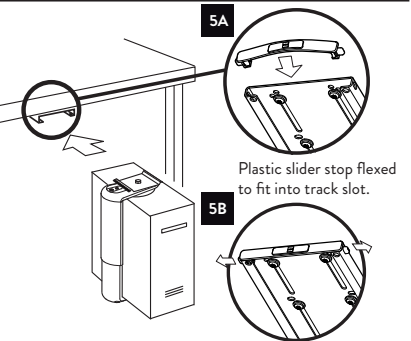
4 Screw your chosen mount rail securely to the underside of the desk using screws provided.



Insert the JAW

5 Slide the JAW into the rails then insert the plastic slider stop.

Check CPU is sufficiently gripped by JAW before insertion into mounting bracket



<p>WARNING</p> <ul style="list-style-type: none"> Ensure desk is suitable to take the weight of the CPU holder and CPU. Do not use this product for any purpose other than that for which it was designed. Hold the CPU tightly when making adjustments. Care should be taken to avoid trapping fingers. Do not dismantle or modify the CPU cradle. Supported weight must not exceed 25kg (55lb) per cradle. <p style="text-align: right;">CE</p>	<p>MAINTENANCE AND INSPECTION</p> <ul style="list-style-type: none"> Ensure all screws are tightened and occasionally adjust if needed. Clean with a damp cloth, NO solvents.
<p>DISCLAIMERS</p> <ul style="list-style-type: none"> The use of power tools, lever bars or excessive force during the installation, or reconfiguration of the product will invalidate your guarantee. Failure to observe the recommendations in the use, and configuration of these products may affect your guarantee. As part of Colebrook Bosson Saunders ongoing product improvement programme, the design of products may change without prior notice and details may vary from those illustrated. 	<p>PATENTS</p> <ul style="list-style-type: none"> Colebrook Bosson Saunders hold a number of patents and other intellectual property rights covering our products and processes. You can find patent information on our website at: www.colebrookbossonsaunders.com/patents