

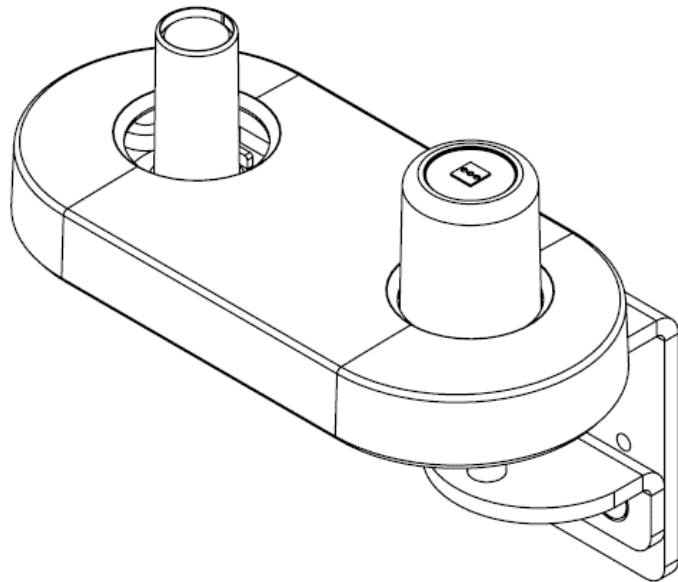
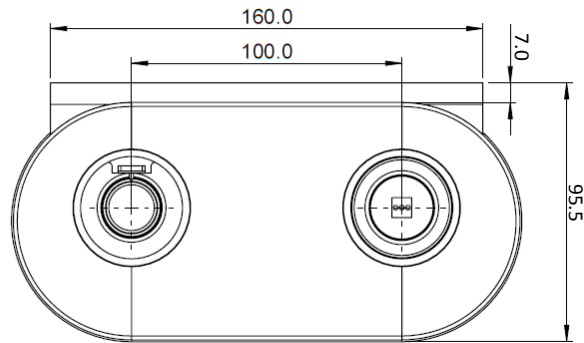
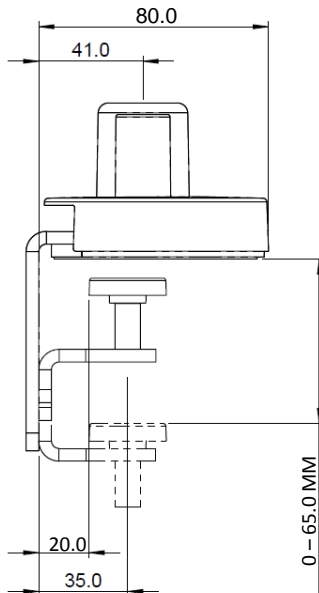


TECHNICAL SPECIFICATION SHEET

PRODUCT NAME: Flo Dual Split Mount Clamp

PRODUCT CODE: DYN/013/C38

Doc Rev 1. 30.04.15. CF



*Note dimensions provided are measured in mm

KEY FEATURES

- Configurable 180° stop system
- Top access screw position permits easy fitting from above-desk position
- Attractive cover conceals fixing screws
- Clamp pad ensures secure grip without damaging underside of work surface
- Suitable for desk thickness from 0-65mm

Product Classification	Brackets, Clamps & Fixings
Max load	18kg (39.6lb)
Build level	#A
Recycled content	24%
Total product recyclable	100%

LOGISTICAL

Box contains	Dual clamp, clamp screws, clamp cover, spigot cover
Product net weight:	1.7 kg
Box dims (HxWxD)	190 x 110 x 90 mm
Box gross weight	1.78 kg
Carton quantity	8
Master dims (HxWxD)	400 x 230 x 210 mm
Master weight	14.24 kg
Country of origin	China
Country of configuration	UK

ORDERING INFORMATION

<u>Colour</u>	<u>Product code</u>	<u>EAN</u>
Silver	DYN/013/C38/S	5060270820994
White	DYN/013/C38/W	5060270821007

WARRANTY

Warranty Term	Limited lifetime
----------------------	------------------

COMPLIANCE & SAFETY CERTIFICATION

Whilst no mandatory standards apply to the monitor arm product sector, all Colebrook Bosson Saunders monitor arms have been designed with appropriate articulation features, dimensional range and adjustability to conform to the requirements of BS EN ISO 9241:5 1999 Ergonomic requirements for office work with visual display terminals (VDTs).

Conformance certification	N/A
Test authority	CBS
Safety certification	N/A

ENVIRONMENTAL

Material type	Material type Weight	% PIR of total weight	% PCR of total weight	% of total product recyclable
Aluminium Die Cast	21.7g	0.25%	0.50%	1.24%
Plastic	69.2g	0.20%	0.20%	3.95%
Rubber	10.4g	0%	0%	0.59%
Steel	1651g	0%	23.55%	94.22%
Other	0g	0%	0.00%	0%
Total	1752.3	0.45%	24.25%	100.00%

CLEANING, STORAGE & MAINTENANCE

Routine servicing	Periodic inspection
Service components	Available to order
Cleaning & Maintenance	Damp cloth, no abrasives, no solvents to be used on the cosmetic surfaces
Handling & Storage	Do not drop or expose to moisture

Colebrook Bosson Saunders (Products) Ltd accept no liability for the accuracy of the information contained herein and retain the right to modify the specifications or data contained herein without prior notification.