



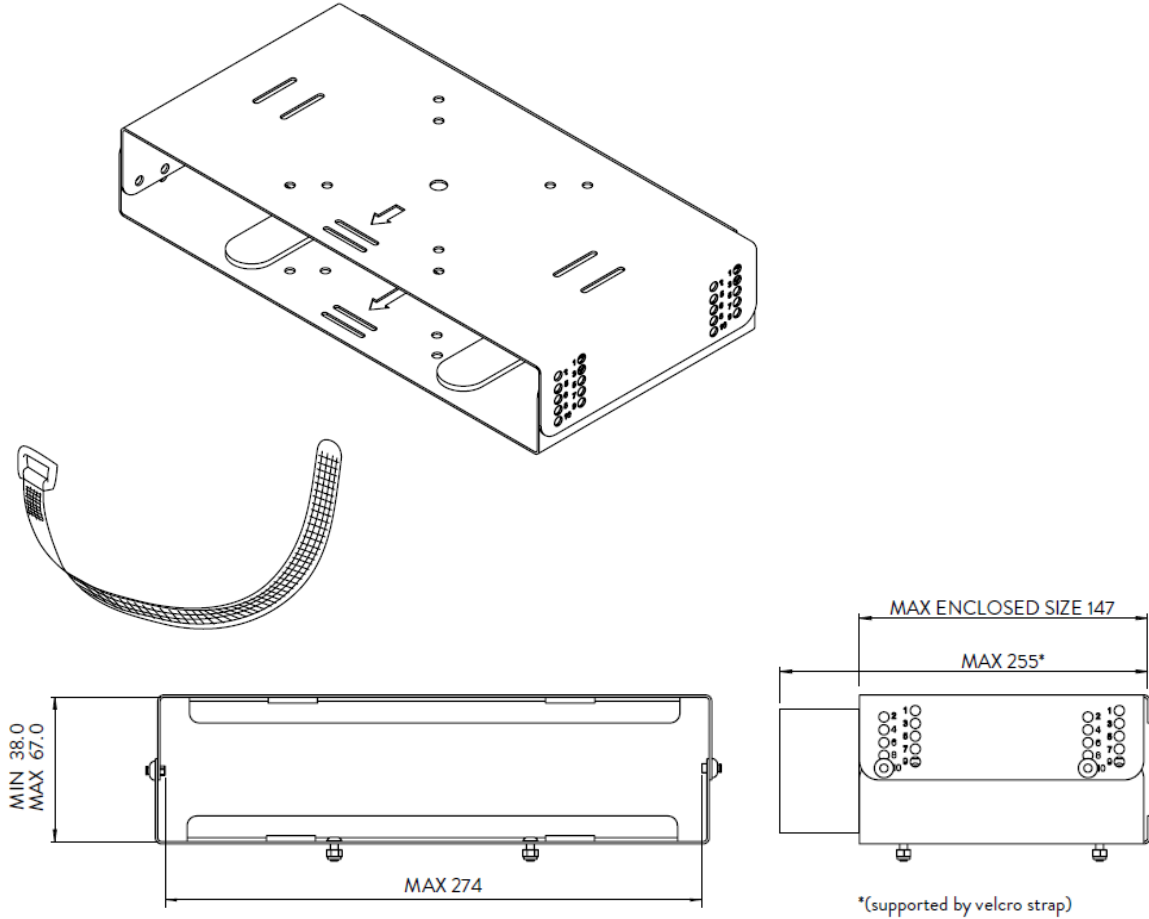
TECHNICAL SPECIFICATION SHEET

PRODUCT NAME: Thin Client Mount

PRODUCT CODE: TCM/001

Doc Rev 3.

18.05.2021 CS



*Note that dimensions provided are measured in mm

For under desk installation an additional fixing bracket is required e.g. UNI/ROT, UNI/SR350, UNI/SR520

KEY FEATURES

- Quick and easy installation
- Can mount horizontally under the desk or vertically behind monitor
 - *Not suitable for Flo range, Wishbone Dual Bar and Rodney
- Designed to let air circulate to keep the Thin Client from overheating
- Adjustable to suit different Thin Client sizes
- Foam pads to protect thin client

Product Classification	CPU Holders
Max load	12kg (26.4lbs)
Recycled content	12.9%
Total product recyclable	99%

LOGISTICAL

Box contains	Thin Client mount, adjustable Velcro strap, foam pads
Product net weight:	1.1 kg
Box dims (HxWxD)	325 x 160 x 55 mm
Box gross weight	1.2 kg
Carton quantity	20
Master dims (HxWxD)	570 x 330 x 340 mm
Master weight	25 kg
Country of origin	China
Country of configuration	UK

ORDERING INFORMATION

<u>Product Description</u>	<u>Product code</u>	<u>Colour</u>
Thin Client Mount	TCM/001	:/B Black

WARRANTY

Warranty Term	12 years
----------------------	----------

COMPLIANCE & SAFETY CERTIFICATION

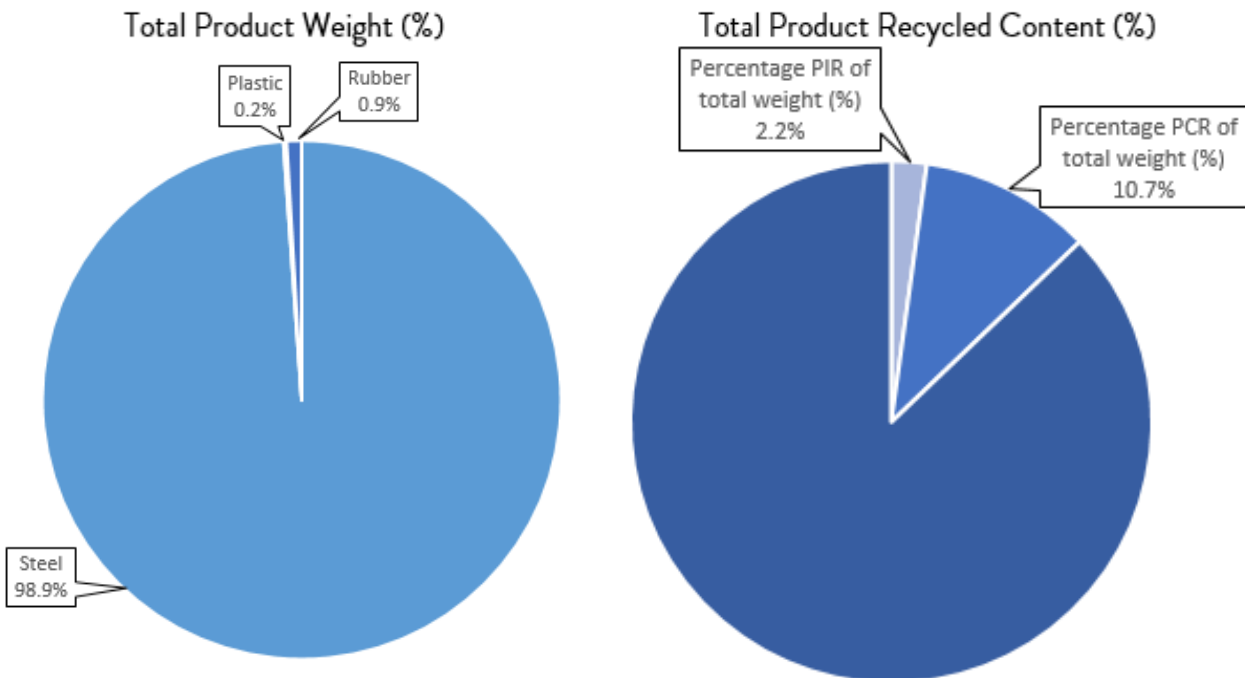
Whilst no mandatory standards apply to the CPU Holder product sector, all Colebrook Bosson Saunders CPU Holders have been designed with appropriate articulation features, dimensional range and adjustability to conform to the requirements of BS EN ISO 9241:5 1999 Ergonomic requirements for office work with visual display terminals (VDTs).

Conformance certification	N/A
Test authority	CBS
Safety certification	N/A

ENVIRONMENTAL

Material Make-up			Total Recycled Content	Breakdown of Recycled Content		Total Recyclable	
Overall Product			Overall Product			Overall Product	
Material type	Total Material type weight (g)	Percentage of Total Product Weight (%)	Material-Type Recycled Content (%)	Percentage PIR of total weight (%)	Percentage PCR of total weight (%)	Total Product Recyclable (g)	Total Product Recyclable (%)
Steel	1057.0	98.9%	12.9%	2.2%	10.7%	1057.0	98.9%
Plastic	2.0	0.2%	0.0%	0.0%	0.0%	2.0	0.2%
Rubber	10.0	0.9%	0.0%	0.0%	0.0%	10.0	0.9%
Total	1069.0	100.0%	12.9%	2.2%	10.7%	1069.0	100.0%

PIR = Post Industrial Recycled
PCR = Post Consumer Recycled



CLEANING, STORAGE & MAINTENANCE

Routine servicing

Periodic inspection

Service components

Available to order

Cleaning & Maintenance

Damp cloth, no abrasives, no solvents to be used on the cosmetic surfaces

Handling & Storage

Do not drop or expose to moisture

While every effort is made to ensure the accuracy of our technical information, Colebrook Bosson Saunders (Products) Ltd accept no liability for the accuracy of the information contained in this document and reserve the right to modify the specifications or data contained herein without prior notification.