



TECHNICAL SPECIFICATION SHEET

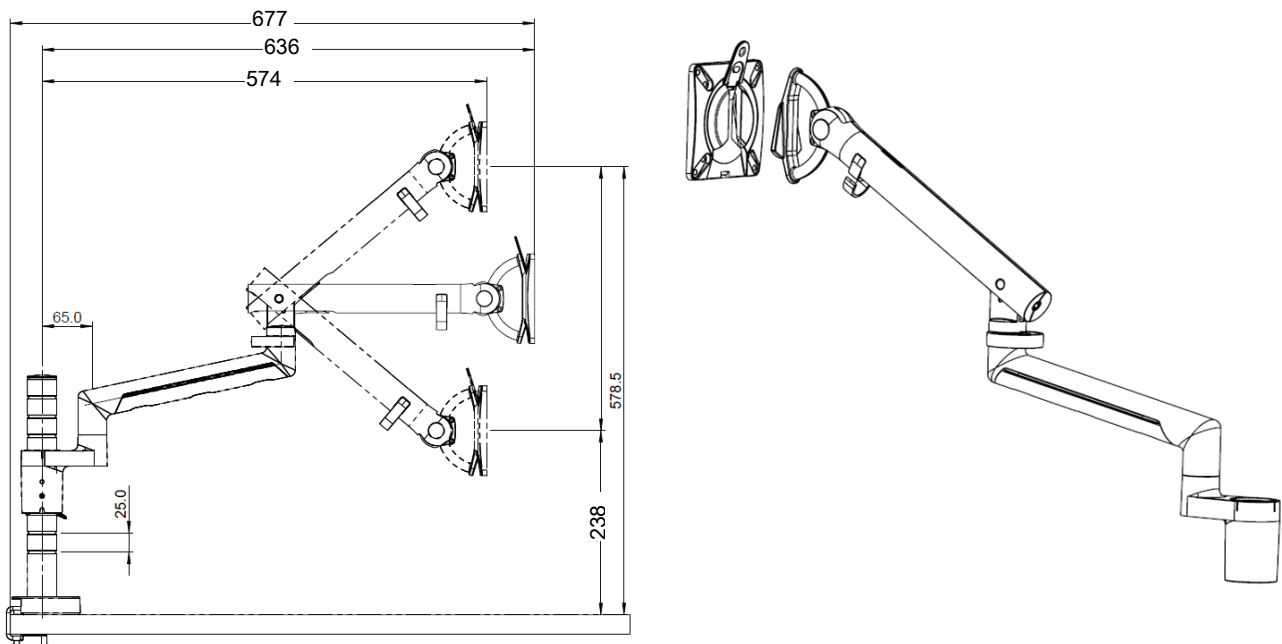
PRODUCT NAME: Flo Modular Monitor Arm

PRODUCT CODE: DYN/013/007

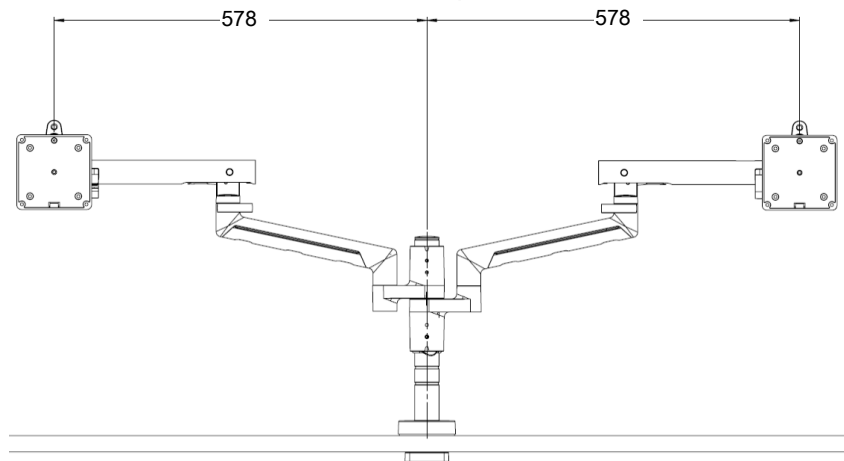
Doc Rev3.

Product Rev: #C

19.07.2016. CF



*Configuration shows Flo Modular with 300mm post & high load clamp



*Note dimensions provided are measured in mm

KEY FEATURES

- Can mount to WSH post system, extending the versatility of the Flo family.
- Can easily expand to single, dual and triple screen configurations.
- Smooth dynamic movement through patented Flo Spring Technology.
- Visual indicator gauge for easy replication of weight setting when installing multiple arms.
- Integrated three-point cable management system.
- Minimal environmental impact.

| | |
|---------------------------------|--|
| Product Classification | Monitor Arms |
| Max load | 9kg (19.8lbs) |
| Min load | 3kg (6.6lbs) |
| Horizontal range | 636mm |
| Vertical motion range | 341mm |
| Monitor tilt range | 48.5° upward tilt, 48.5° downward tilt |
| Recycled content | 53.42% |
| Total product recyclable | 100% |

LOGISTICAL

| | |
|---------------------------------|---|
| Box contains | Flo Monitor arm with post-mount component, VESA fixing screws, allen keys, 90° stop 'disable' washer. |
| Product net weight: | 2.2 kg |
| Box dims (HxWxD) | 400 x 290 x 70 mm |
| Box gross weight | 2.7 kg |
| Carton quantity | 6 |
| Master dims (HxWxD) | 600 x 410 x 225 mm |
| Master weight | 16.66 kg |
| Country of origin | China |
| Country of configuration | UK |

ORDERING INFORMATION

| <u>Product Description</u> | <u>Product code</u> | <u>Colour</u> |
|----------------------------|---------------------|-------------------------|
| Flo Modular Monitor Arm | DYN/013/007 | :/B Black or :/S Silver |

WARRANTY

| | |
|----------------------|---|
| Warranty Term | Limited lifetime |
| Notes | Excludes Quick Release mechanism – warranty 5 years |

COMPLIANCE & SAFETY CERTIFICATION

Whilst no mandatory standards apply to the monitor arm product sector, all Colebrook Bosson Saunders monitor arms have been designed with appropriate articulation features, dimensional range and adjustability to conform to the requirements of BS EN ISO 9241:5 1999 Ergonomic requirements for office work with visual display terminals (VDTs).

Conformance certification BS EN ISO 9241:5 1999 Ergonomic Requirements for office work with visual display terminals (VDTs). FIRA certificate of conformance pending.

Test authority CBS

Safety certification N/A

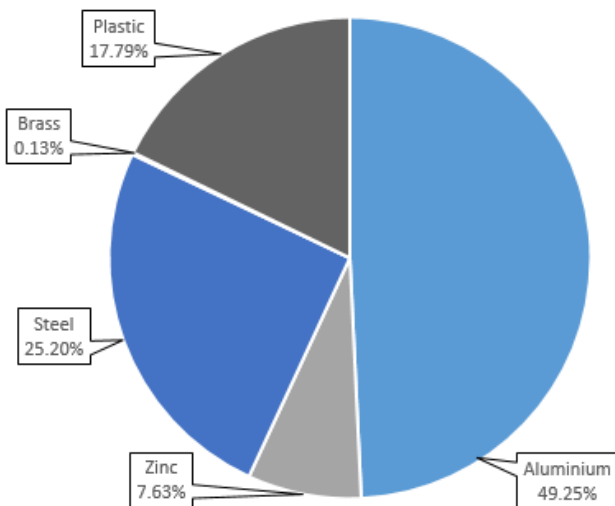
ENVIRONMENTAL

| Material Make-up | | | Total Recycled Content | Breakdown of Recycled Content | | Total Recyclable | |
|------------------|--------------------------------|--|------------------------------------|------------------------------------|------------------------------------|------------------------------|------------------------------|
| Overall Product | | | Overall Product | | | Overall Product | |
| Material type | Total Material type weight (g) | Percentage of Total Product Weight (%) | Material-Type Recycled Content (%) | Percentage PIR of total weight (%) | Percentage PCR of total weight (%) | Total Product Recyclable (g) | Total Product Recyclable (%) |
| Aluminium | 1149 | 49.25% | 46.78% | 24.79% | 21.99% | 1149 | 49.25% |
| Zinc | 178 | 7.63% | 3.36% | 1.68% | 1.68% | 178 | 7.63% |
| Steel | 588 | 25.20% | 3.28% | 0.56% | 2.72% | 588 | 25.20% |
| Stainless Steel | 0 | 0.00% | 0.00% | 0.00% | 0.00% | 0 | 0.00% |
| Brass | 3 | 0.13% | 0.00% | 0.00% | 0.00% | 3 | 0.13% |
| Plastic | 415 | 17.79% | 0.00% | 0.00% | 0.00% | 415 | 17.79% |
| Total | 2333 | 100.00% | 53.42% | 27.03% | 26.39% | 2333 | 100.00% |

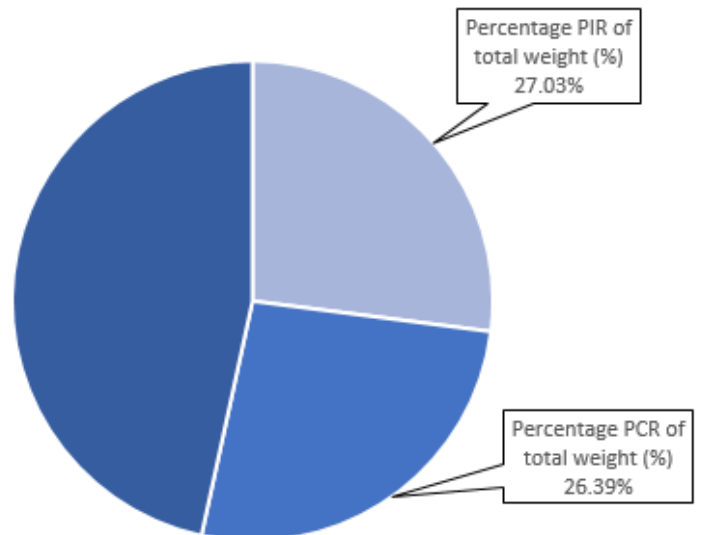
PIR = Post Industrial Recycled

PCR = Post Consumer Recycled

Total Product Weight (%)



Total Product Recycled Content (%)



CLEANING, STORAGE & MAINTENANCE

| | |
|-----------------------------------|---|
| Routine servicing | Periodic inspection |
| Service components | Available to order |
| Cleaning & Maintenance | Damp cloth, no abrasives, no solvents to be used on the cosmetic surfaces |
| Handling & Storage | Do not drop or expose to moisture |

While every effort is made to ensure the accuracy of our technical information, Colebrook Bosson Saunders (Products) Ltd accept no liability for the accuracy of the information contained in this document and reserve the right to modify the specifications or data contained herein without prior notification.