



# TECHNICAL SPECIFICATION SHEET

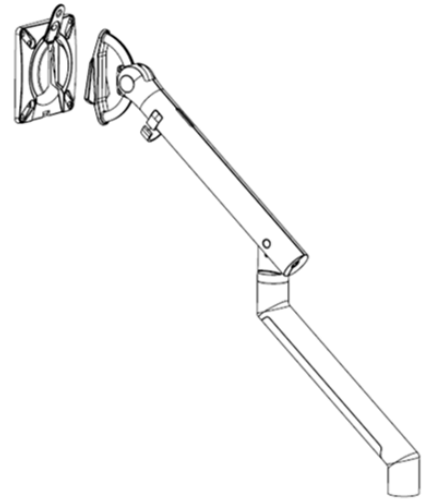
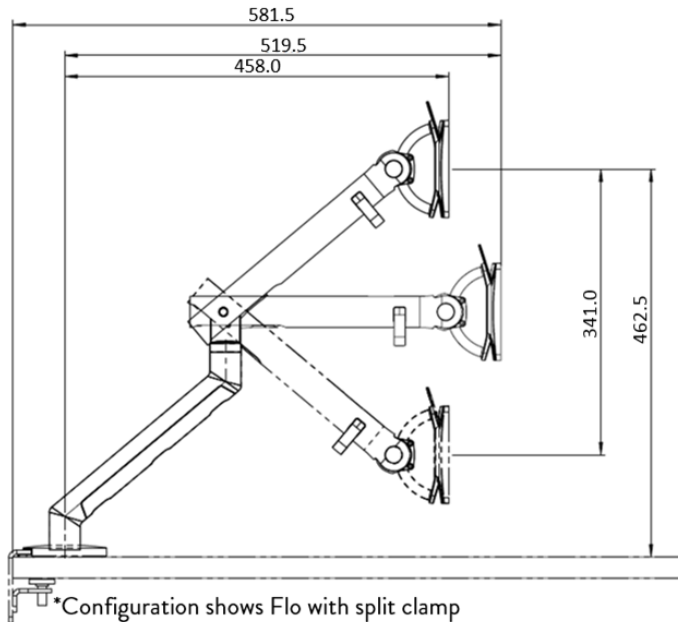
**PRODUCT NAME:** Flo Dynamic Monitor Arm

**PRODUCT CODE:** DYN/013/010

Doc Rev 3.

Product Rev: #G

19.07.16. CF



\*Note that dimensions provided are measured in mm

## KEY FEATURES

- Award-winning aesthetic design and functionality
- Smooth, dynamic movement through its patented Flo Spring Technology
- Unique head design provides unrivalled degree of flexibility for tablets and touch screens
- Weight gauge reduces installation time and provides consistent performance
- Integrated three-point cable management system
- Minimal environmental impact
- Portrait / landscape screen mounting

<b>Product Classification</b>	Monitor Arms
<b>Min Load</b>	3kg (6.6lb)
<b>Max load</b>	9kg (19.84lb)
<b>Tilt range</b>	48.5° upwards, 48.5° downwards
<b>Horizontal Range</b>	458mm
<b>Vertical Range</b>	341mm
<b>Recycled content</b>	68.17%
<b>Total product recyclable</b>	100%

## LOGISTICAL

---

<b>Box contains</b>	Arm & Quick Release Mount Plate, Allen Key
<b>Product net weight:</b>	1.8 kg
<b>Box dims (HxWxD)</b>	90 x 130 x 671 mm
<b>Box gross weight</b>	1.9 kg
<b>Carton quantity</b>	6
<b>Master dims (HxWxD)</b>	275 x 295 x 690 mm
<b>Master weight</b>	13.3 kg
<b>Country of origin</b>	China
<b>Country of configuration</b>	UK

## ORDERING INFORMATION

---

<b><u>Product Description</u></b>	<b><u>Product code</u></b>	<b><u>Colour</u></b>
Flo Dynamic Monitor Arm	DYN/013/010	:/S Silver or :/W White

## WARRANTY

---

<b>Warranty Term</b>	Limited lifetime – Excludes
<b>Notes</b>	Excludes quick-release – warranty 5 years

## COMPLIANCE & SAFETY CERTIFICATION

---

Whilst no mandatory standards apply to the monitor arm product sector, all Colebrook Bosson Saunders monitor arms have been designed with appropriate articulation features, dimensional range and adjustability to conform to the requirements of BS EN ISO 9241:5 1999 Ergonomic requirements for office work with visual display terminals (VDTs).

<b>Conformance certification</b>	<ul style="list-style-type: none"><li>• BS EN ISO 9241:5 1999 Ergonomic Requirements for office work with visual display terminals (VDTs). FIRA certificate of conformance</li><li>• FIRA load testing and lifetime fatigue test - PP050. Passed as suitable for 'severe use'</li></ul>
<b>Test authority</b>	FIRA
<b>Safety certification</b>	N/A

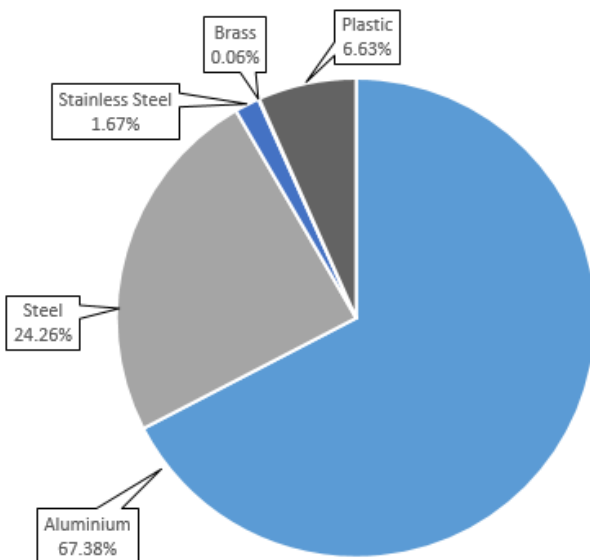
## ENVIRONMENTAL

Material Make-up			Total Recycled Content	Breakdown of Recycled Content		Total Recyclable	
Overall Product			Overall Product	Overall Product		Overall Product	
Material type	Total Material type weight (g)	Percentage of Total Product Weight (%)	Material-Type Recycled Content (%)	Percentage PIR of total weight (%)	Percentage PCR of total weight (%)	Total Product Recyclable (g)	Total Product Recyclable (%)
Aluminium	1088	67.38%	64.01%	33.93%	30.09%	1088	67.38%
Steel	391.7	24.26%	3.15%	0.54%	2.62%	392	24.26%
Stainless Steel	27	1.67%	1.00%	0.60%	0.40%	27	1.67%
Brass	1	0.06%	0.00%	0.00%	0.00%	1	0.06%
Plastic	107	6.63%	0.00%	0.00%	0.00%	107	6.63%
<b>Total</b>	<b>1614.7</b>	<b>100.00%</b>	<b>68.17%</b>	<b>35.06%</b>	<b>33.10%</b>	<b>1614.70</b>	<b>100.00%</b>

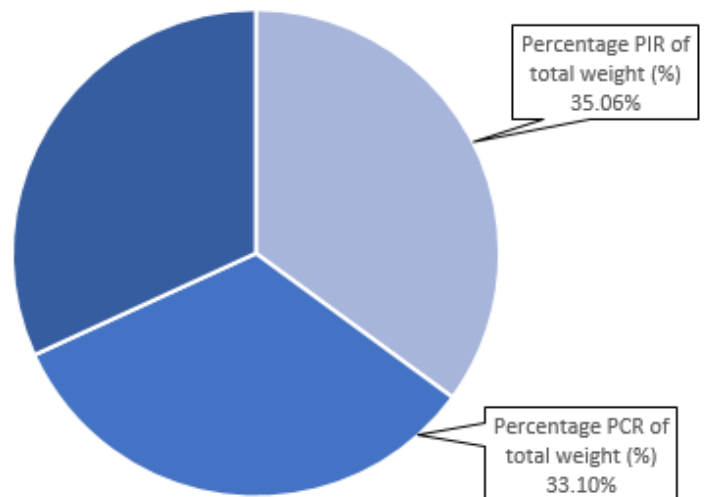
PIR = Post Industrial Recycled

PCR = Post Consumer Recycled

Total Product Weight (%)



Total Product Recycled Content (%)



## CLEANING, STORAGE & MAINTENANCE

### Routine servicing

Periodic inspection

### Service components

Available to order

### Cleaning & Maintenance

Damp cloth, no abrasives, no solvents to be used on the cosmetic surfaces

### Handling & Storage

Do not drop or expose to moisture

While every effort is made to ensure the accuracy of our technical information, Colebrook Bosson Saunders (Products) Ltd accept no liability for the accuracy of the information contained in this document and reserve the right to modify the specifications or data contained herein without prior notification.