



## TECHNICAL SPECIFICATION SHEET

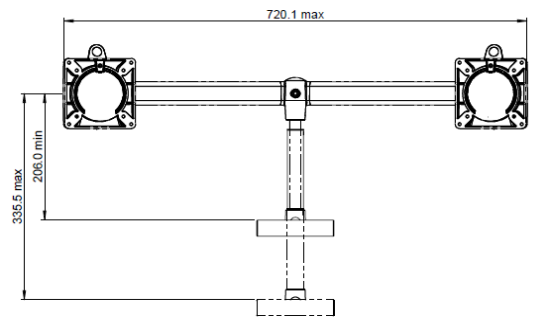
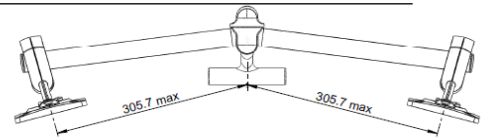
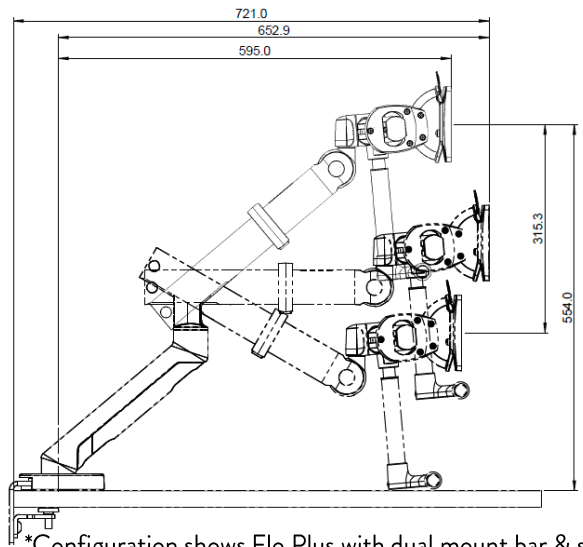
**PRODUCT NAME:** Flo Plus Dual Mount Bar

**PRODUCT CODE:** DYN/DMB/001

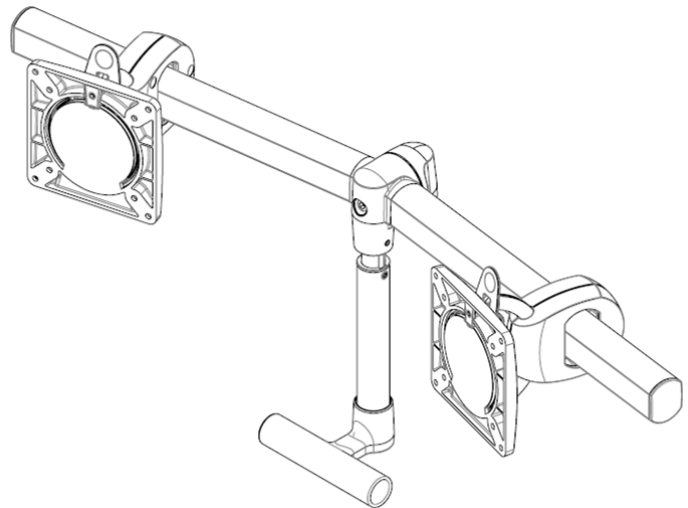
Doc Rev 2.

Product Rev #B

08.08.2016 CF



\*Configuration shows Flo Plus with dual mount bar & split clamp



\*Note that dimensions provided are measured in mm

### KEY FEATURES

- Compatible with Flo Plus Dynamic Monitor Arm.
- Mounts 2 x monitors (up to 24" size.)
- Quick-release monitor mounting.
- Self-balancing tilt adjustment & levelling of individual monitors.
- Individual fine height adjustment (12mm) to align monitors.
- Central swivel joint to level complete dual bar installation.
- Choice of 'cockpit' or flat screen configuration.
- Adjustable handle for ease of movement

|                                 |  |
|---------------------------------|--|
| <b>Product Classification</b>   | Monitor Arms                                 |
| <b>Min to Max load</b>          | 3.25kg to 8kg per screen                     |
| <b>Max offset load</b>          | 5kg max difference between monitor weights   |
| <b>Max monitor size</b>         | 560mm wide (approx 24" diagonal screen size) |
| <b>Monitor tilt range</b>       | 35° upward tilt, 36° downward tilt,          |
| <b>Recycled content</b>         | 58.62%                                       |
| <b>Total product recyclable</b> | 100%   |

## LOGISTICAL

---

|                                 |  |
|---------------------------------|--|
| <b>Box contains</b>             | Flo Plus Dual Mount Bar, handle, 2 x VESA plates, screws |
| <b>Product net weight</b>       | 1.9kg  |
| <b>Box dims (HxWxD)</b>         | 125 x 170 x 740 mm                                       |
| <b>Box gross weight</b>         | 2.5kg  |
| <b>Carton quantity</b>          | 4  |
| <b>Master dims (HxWxD)</b>      | 760 x 360 x 285 mm                                       |
| <b>Master weight</b>            | 11kg   |
| <b>Country of origin</b>        | China  |
| <b>Country of configuration</b> | UK   |

## ORDERING INFORMATION

---

| <u>Product Description</u> | <u>Product code</u> | <u>Colour</u> |
|----------------------------|---------------------|---------------|
| Flo Plus Dual Mount Bar    | DYN/DMB/001         | :/W White     |

## WARRANTY

---

|               |   |
|---------------|---|
| Warranty Term | Limited lifetime warranty                 |
| Notes         | Excludes quick-release – Warranty 5 years |

## COMPLIANCE & SAFETY CERTIFICATION

---

Whilst no mandatory standards apply to the monitor arm product sector, all Colebrook Bosson Saunders monitor arms have been designed with appropriate articulation features, dimensional range and adjustability to conform to the requirements of BS EN ISO 9241:5 1999 Ergonomic requirements for office work with visual display terminals (VDTs).

|                                  |   |
|----------------------------------|---|
| <b>Conformance certification</b> | BS EN ISO 9241:5 1999 Ergonomic Requirements for office work with visual display terminals (VDTs). FIRA certificate of conformance pending. |
| <b>Test authority</b>            | CBS   |

Safety certification

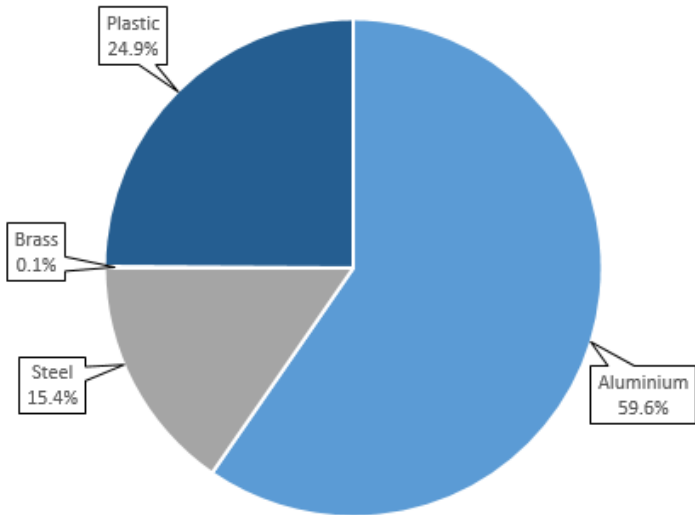
N/A

**ENVIRONMENTAL**

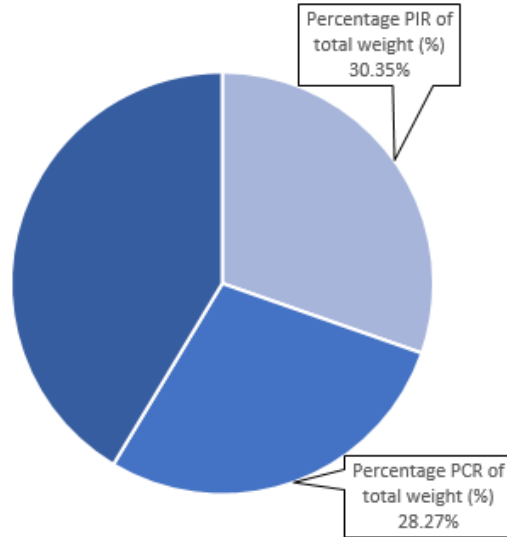
| Material Make-up |                                |  | Total Recycled Content             | Breakdown of Recycled Content      |                                    | Total Recyclable             |                              |
|------------------|--------------------------------|--|------------------------------------|------------------------------------|------------------------------------|------------------------------|------------------------------|
| Overall Product  |                                |  | Overall Product                    |                                    |                                    | Overall Product              |                              |
| Material type    | Total Material type weight (g) | Percentage of Total Product Weight (%) | Material-Type Recycled Content (%) | Percentage PIR of total weight (%) | Percentage PCR of total weight (%) | Total Product Recyclable (g) | Total Product Recyclable (%) |
| Aluminium        | 1152.8                         | 59.6%                                  | 56.62%                             | 30.01%                             | 26.61%                             | 1152.8                       | 59.6%                        |
| Steel            | 297.7                          | 15.4%                                  | 2.00%                              | 0.34%                              | 1.66%                              | 297.7                        | 15.4%                        |
| Brass            | 2.0                            | 0.1%                                   | 0.00%                              | 0.00%                              | 0.00%                              | 2.0                          | 0.1%                         |
| Plastic          | 481.5                          | 24.9%                                  | 0.00%                              | 0.00%                              | 0.00%                              | 481.5                        | 24.9%                        |
| <b>Total</b>     | <b>1934.0</b>                  | <b>100.0%</b>                          | <b>58.62%</b>                      | <b>30.35%</b>                      | <b>28.27%</b>                      | <b>1934.0</b>                | <b>100.0%</b>                |

PIR = Post Industrial Recycled  
 PCR = Post Consumer Recycled

Total Product Weight (%)



Total Product Recycled Content (%)



**CLEANING, STORAGE & MAINTENANCE**

**Routine servicing**

Periodic inspection

**Service components**

Available to order

**Cleaning & Maintenance**

Damp cloth, no abrasives, no solvents to be used on the cosmetic surfaces

**Handling & Storage**

Do not drop or expose to moisture

While every effort is made to ensure the accuracy of our technical information, Colebrook Bosson Saunders (Products) Ltd accept no liability for the accuracy of the information contained in this document and reserve the right to modify the specifications or data contained herein without prior notification.