



TECHNICAL SPECIFICATION SHEET

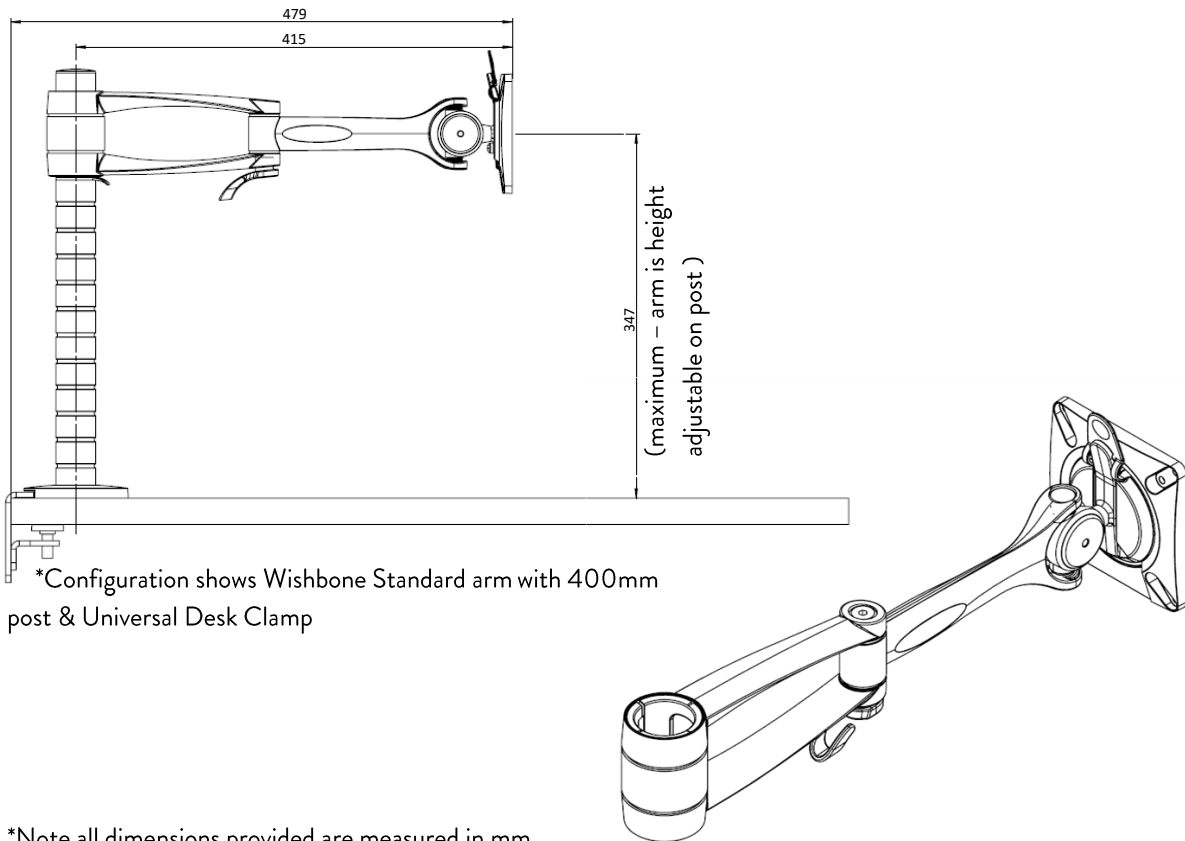
PRODUCT NAME: Wishbone Standard Monitor Arm

PRODUCT CODE: WSH/001/PQR

Doc Rev 2.

Product Rev #P

08.08.2016 CF



*Configuration shows Wishbone Standard arm with 400mm post & Universal Desk Clamp

*Note all dimensions provided are measured in mm

KEY FEATURES

- Iconic design
- Easy to install
- Mounts to walls, slatwalls and desks using a variety of fixing options
- Fits with all CBS posts to give a wide range of height / aesthetic / cost options.
- Over 90 degree vertical tilt to avoid glare
- Over 180 degree horizontal movement
- Easy to change screen orientation: portrait to landscape
- Supplied with cable management clip

Product Classification	Monitor Arms
Max load	12kg (26.4lb)
Horizontal Range	415mm
Recycled content	68.60%
Total product recyclable	100%

LOGISTICAL

Box contains	Arm and PQR Head
Product net weight:	1.09 kg
Box dims (HxWxD)	62 x 125 x 460 mm
Box gross weight	1.23 kg
Carton quantity	12
Master dims (HxWxD)	275 x 390 x 485 mm
Master weight	15.8 kg
Country of origin	China
Country of configuration	UK

ORDERING INFORMATION

<u>Product Description</u>	<u>Product code</u>	<u>Colour</u>
Wishbone Standard Monitor Arm	WSH/001/PQR	:/S Silver

WARRANTY

Warranty Term	Limited lifetime
Notes	Excludes Quick Release mechanism – warranty 5 years

COMPLIANCE & SAFETY CERTIFICATION

Whilst no mandatory standards apply to the monitor arm product sector, all Colebrook Bosson Saunders monitor arms have been designed with appropriate articulation features, dimensional range and adjustability to conform to the requirements of BS EN ISO 9241:5 1999 Ergonomic requirements for office work with visual display terminals (VDTs).

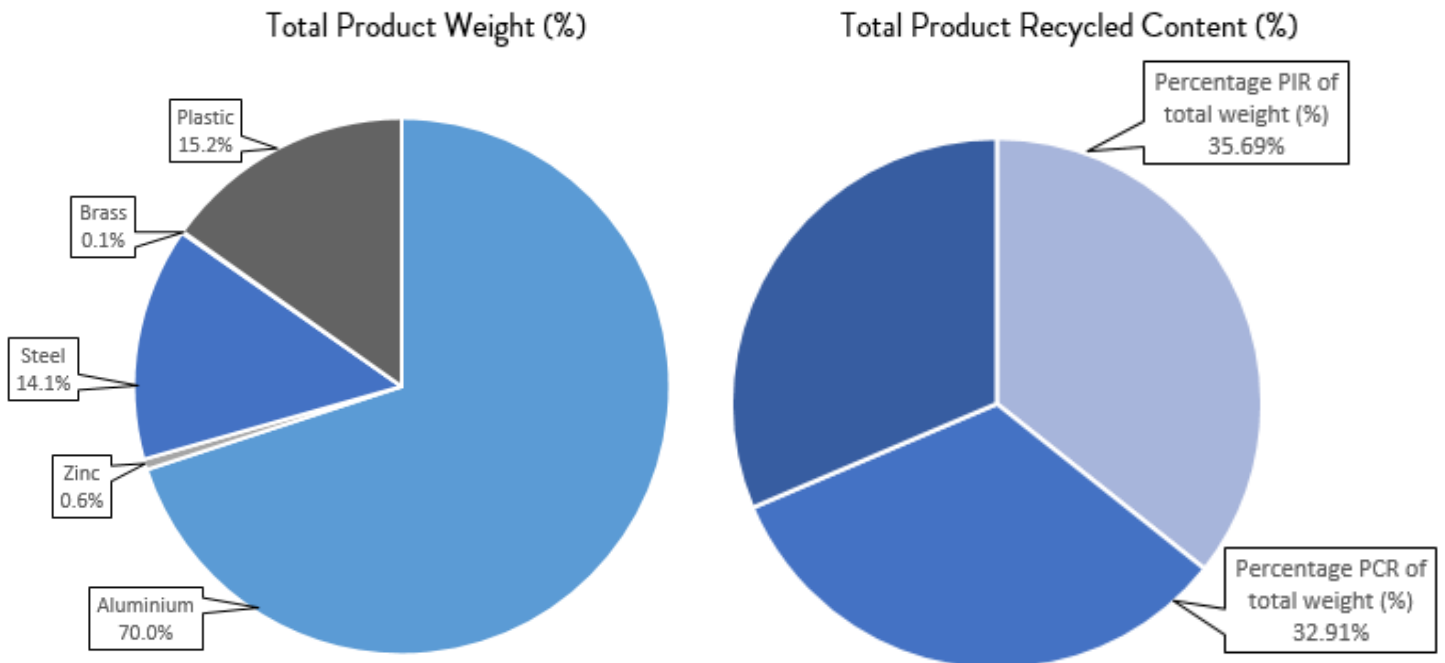
Conformance certification	N/A
Test authority	CBS
Safety certification	N/A

ENVIRONMENTAL

Material Make-up			Total Recycled Content	Breakdown of Recycled Content		Total Recyclable	
Overall Product			Overall Product			Overall Product	
Material type	Total Material type weight (g)	Percentage of Total Product Weight (%)	Material-Type Recycled Content (%)	Percentage PIR of total weight (%)	Percentage PCR of total weight (%)	Total Product Recyclable (g)	Total Product Recyclable (%)
Aluminium	764	70.0%	66.48%	35.24%	31.25%	764.0	69.98%
Zinc	7	0.6%	0.28%	0.14%	0.14%	7.0	0.64%
Steel	153.7	14.1%	1.83%	0.31%	1.52%	153.7	14.08%
Brass	1	0.1%	0.00%	0.00%	0.00%	1.0	0.09%
Plastic	166	15.2%	0.00%	0.00%	0.00%	166.0	15.21%
Total	1091.7	100.0%	68.60%	35.69%	32.91%	1091.7	100.00%

PIR = Post Industrial Recycled

PCR = Post Consumer Recycled



CLEANING, STORAGE & MAINTENANCE

Routine servicing

Periodic inspection

Service components

Available to order

Cleaning & Maintenance

Damp cloth, no abrasives, no solvents to be used on the cosmetic surfaces

Handling & Storage

Do not drop or expose to moisture

While every effort is made to ensure the accuracy of our technical information, Colebrook Bosson Saunders (Products) Ltd accept no liability for the accuracy of the information contained in this document and reserve the right to modify the specifications or data contained herein without prior notification.