



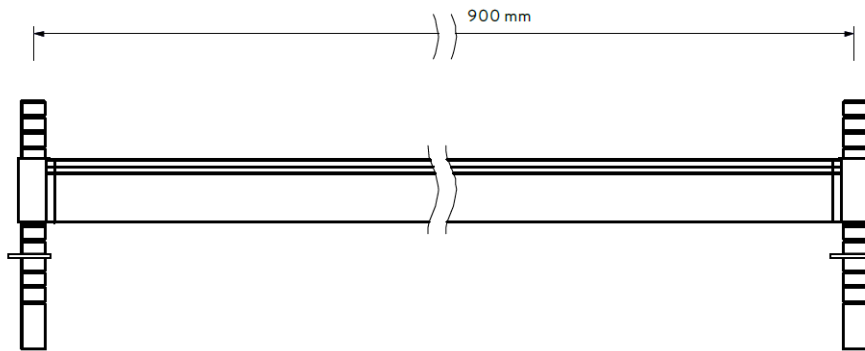
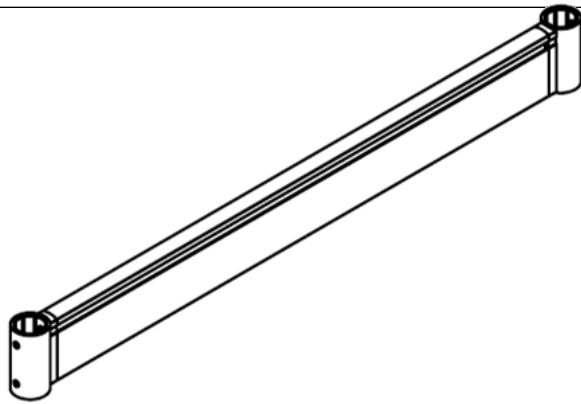
TECHNICAL SPECIFICATION SHEET

PRODUCT NAME: Toolbar With Plastic Ends For 1000mm Desk

PRODUCT CODE: WSH/PTB/1000

Doc Rev 2.

15.08.2016 CF



*Configuration shows toolbar with 2 x WSH/PST400/K/S

*Note that dimensions provided are measured in mm

KEY FEATURES

- Improves Workstation ergonomics
- Can be mounted on posts at any pre-set height
- Durable aluminium toolbar with re-inforced plastic end connectors
- Can mount CBS monitor arms for multi-screen layouts *

*Mounting Dynamic arms to the toolbar system is not recommended. i.e Flo Family

Product Classification	Toolbar
Max load single sided	17.5kg (38.5lbs)
Max load double sided	17.5kg (38.5lbs) <u>per side</u> . Total max load 35kg (77lbs)
Recycled content	85.75%
Total product recyclable	100%

LOGISTICAL

Box contains	Toolbar incl. end caps already installed, Toolbar location rings
Product net weight:	1.77
Box dims (HxWxD)	70 x 110 x 1005 mm
Box gross weight	2.31
Carton quantity	2
Master dims (HxWxD)	165 x 130 x 1020
Country of origin	China
Country of configuration	UK

ORDERING INFORMATION

<u>Product Description</u>	<u>Product code</u>	<u>Colour</u>
Toolbar With Plastic Ends For 1000mm Desk	WSH/PTB/1000	:S Silver

WARRANTY

Warranty Term	Limited lifetime
----------------------	------------------

COMPLIANCE & SAFETY CERTIFICATION

Whilst no mandatory standards apply to this product sector, this product has been designed to conform to the requirements of BS EN ISO 12100 : 2003 – Principles for safe design of Machinery Part 1, Part 2

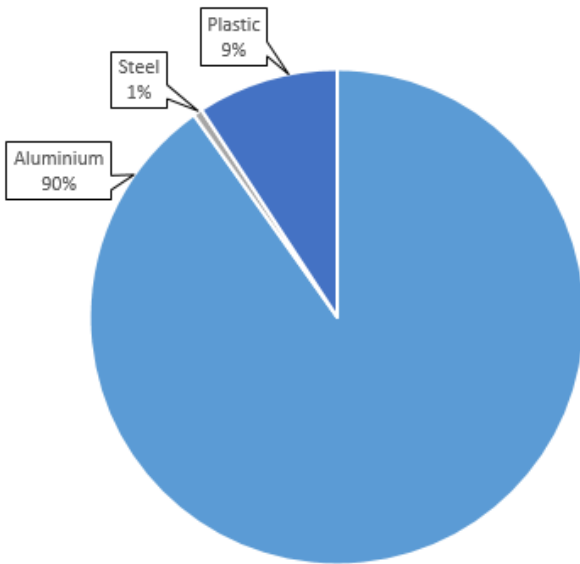
Conformance certification	N/A
Test authority	CBS
Safety certification	N/A

ENVIRONMENTAL

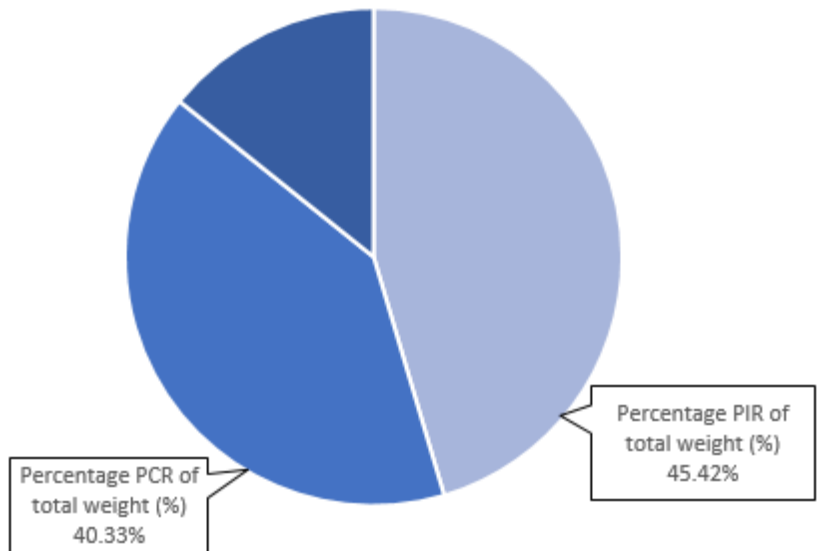
Material Make-up			Total Recycled Content	Breakdown of Recycled Content		Total Recyclable	
Overall Product			Overall Product	Overall Product		Overall Product	
Material type	Total Material type weight (g)	Percentage of Total Product Weight (%)	Material-Type Recycled Content (%)	Percentage PIR of total weight (%)	Percentage PCR of total weight (%)	Total Product Recyclable (g)	Total Product Recyclable (%)
Aluminium	1515	90%	85.67%	45.40%	40.26%	1515	90%
Steel	10	1%	0.08%	0.01%	0.06%	10	1%
Plastic	155	9%	0.00%	0.00%	0.00%	155	9%
Total	1680	100%	85.75%	45.42%	40.33%	1680	100%

PIR = Post Industrial Recycled
PCR = Post Consumer Recycled

Total Product Weight (%)



Total Product Recycled Content (%)



CLEANING, STORAGE & MAINTENANCE

Routine servicing

Periodic inspection

Service components

Available to order

Cleaning & Maintenance

Damp cloth, no abrasives, no solvents to be used on the cosmetic surfaces

Handling & Storage

Do not drop or expose to moisture

While every effort is made to ensure the accuracy of our technical information, Colebrook Bosson Saunders (Products) Ltd accept no liability for the accuracy of the information contained in this document and reserve the right to modify the specifications or data contained herein without prior notification.