



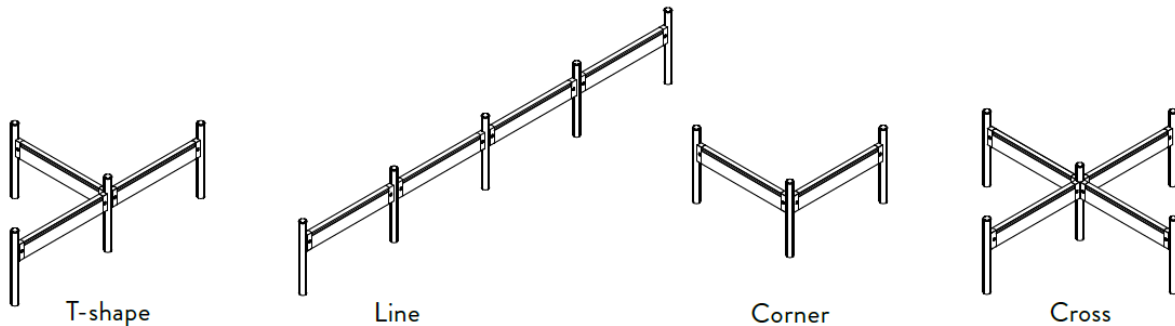
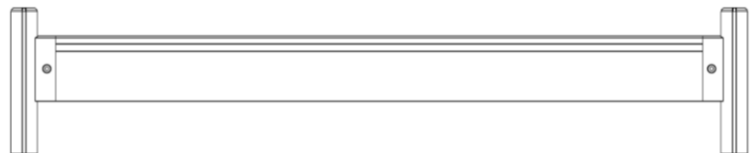
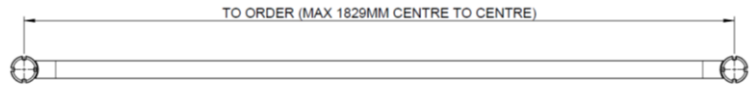
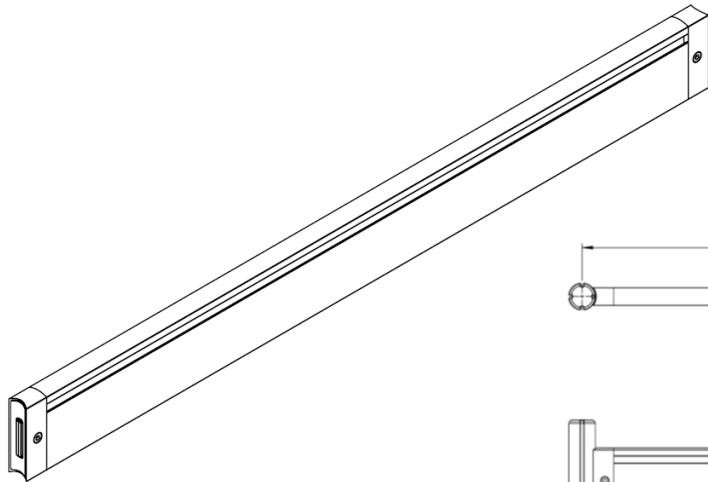
TECHNICAL SPECIFICATION SHEET

PRODUCT NAME: Continuous Toolbar

PRODUCT CODE: UNI/CTB

Doc Rev 3.

04.08.2016 CF



*Note that dimensions provided are measured in mm

*Note UNI/CTB mounts via quad post only, posts to be ordered separately (UNI/QPP500/K or UNI/QPP800/K)

KEY FEATURES

- Compatible with CBS Quad Post
- Rigid toolbar mount with high load capacity
- Can mount multiple toolbars at the same height on a post permitting continuous runs.
- Toolbar length made to order (max length 1829mm between post centres)

Product Classification	Toolbar
Max load	80kg (176lb) (40kg per side)
Recycled content	87.14%
Total product recyclable	100%

LOGISTICAL

Box contains	Left and Right tool bar ends, toolbar
Product net weight:	} Logistical information dependant on quantity and length required
Box dims (HxWxD)	
Box gross weight	
Carton quantity	
Master dims (HxWxD)	
Country of origin	China
Country of configuration	UK

ORDERING INFORMATION

<u>Product Description</u>	<u>Product code</u>	<u>Colour</u>
Continuous Toolbar	UNI/CTB	:S Silver

WARRANTY

Warranty Term	Limited lifetime
----------------------	------------------

COMPLIANCE & SAFETY CERTIFICATION

Whilst no mandatory standards apply to the monitor arm product sector, all Colebrook Bosson Saunders monitor arms have been designed with appropriate articulation features, dimensional range and adjustability to conform to the requirements of BS EN ISO 9241:5 1999 Ergonomic requirements for office work with visual display terminals (VDTs).

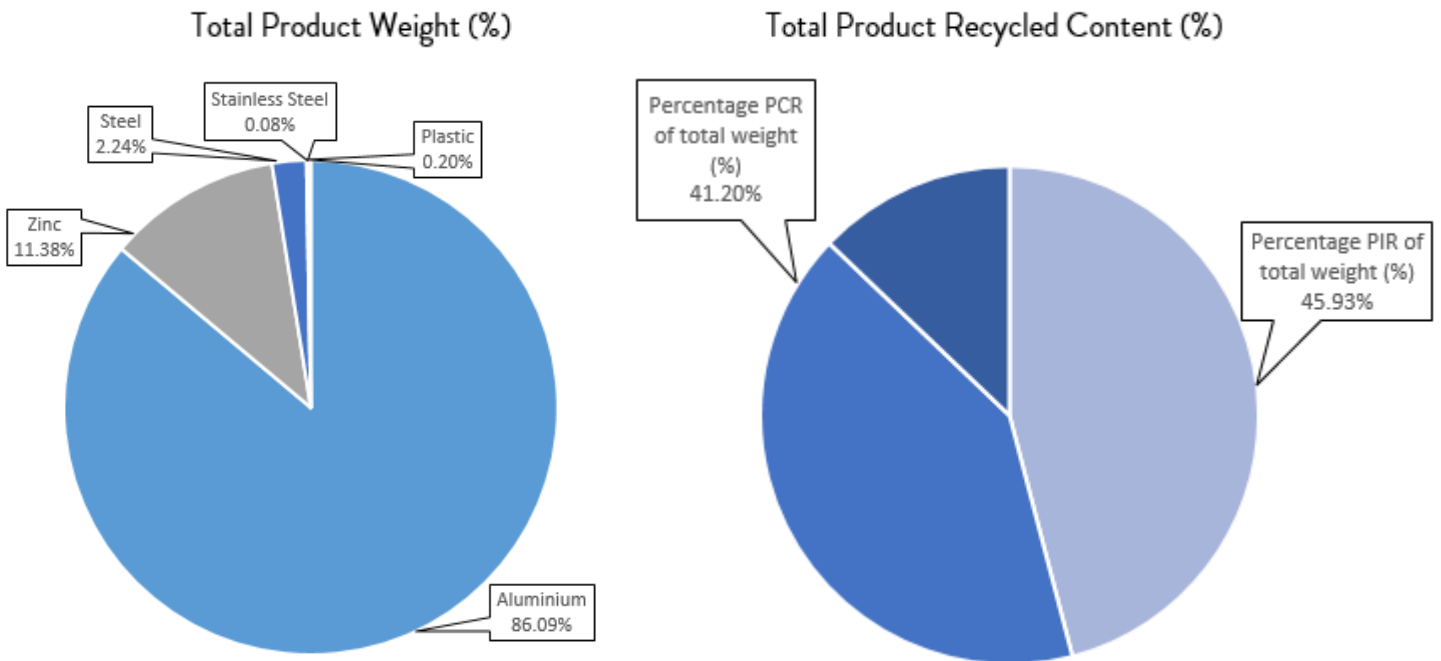
Conformance certification	N/A
Test authority	CBS
Safety certification	N/A

ENVIRONMENTAL

Material Make-up			Total Recycled Content	Breakdown of Recycled Content		Total Recyclable	
Overall Product			Overall Product	Overall Product		Overall Product	
Material type	Total Material type weight (g)	Percentage of Total Product Weight (%)	Material-Type Recycled Content (%)	Percentage PIR of total weight (%)	Percentage PCR of total weight (%)	Total Product Recyclable (g)	Total Product Recyclable (%)
Aluminium	4000.00	86.09%	81.79%	43.35%	38.44%	4000	86.09%
Zinc	528.80	11.38%	5.01%	2.50%	2.50%	529	11.38%
Steel	104.00	2.24%	0.29%	0.05%	0.24%	104	2.24%
Stainless Steel	3.80	0.08%	0.05%	0.03%	0.02%	4	0.08%
Plastic	9.50	0.20%	0.00%	0.00%	0.00%	10	0.20%
Total	4646.10	100.00%	87.14%	45.93%	41.20%	4646	100.00%

PIR = Post Industrial Recycled
PCR = Post Consumer Recycled

*Note that the above data is based on a toolbar length of 1829mm (UNI/CTB/1829), data will vary dependant on length required



CLEANING, STORAGE & MAINTENANCE

Routine servicing

Periodic inspection

Service components

Available to order

Cleaning & Maintenance

Damp cloth, no abrasives, no solvents to be used on the cosmetic surfaces

Handling & Storage

Do not drop or expose to moisture

While every effort is made to ensure the accuracy of our technical information, Colebrook Bosson Saunders (Products) Ltd accept no liability for the accuracy of the information contained in this document and reserve the right to modify the specifications or data contained herein without prior notification.