

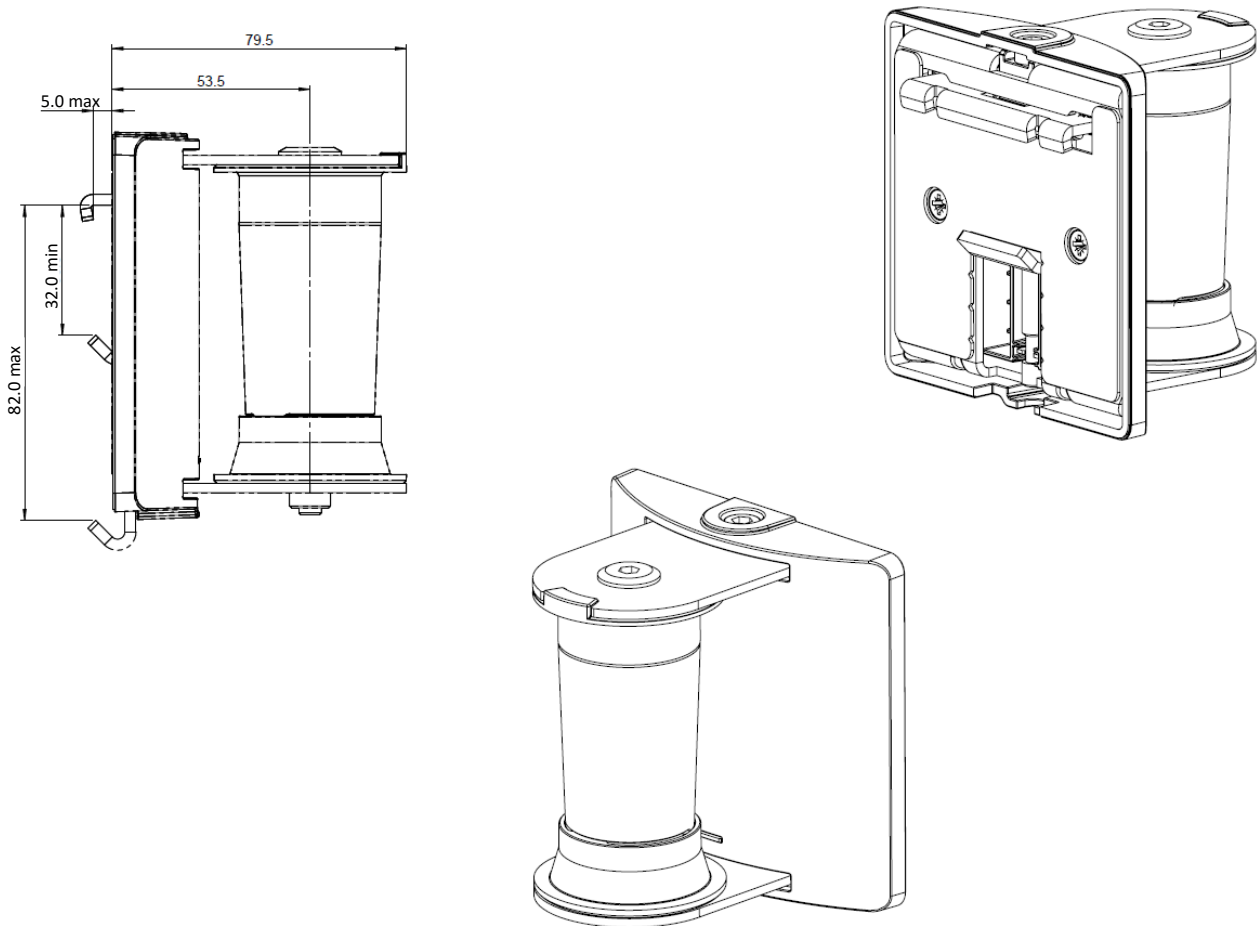


TECHNICAL SPECIFICATION SHEET

PRODUCT NAME: Universal Slatwall Mount

PRODUCT CODE: UNI/SWB/001

Doc Rev 2. Product Rev #D 08.08.2016 CF



*Note that dimensions provided are measured in mm

KEY FEATURES

- Suitable for all CBS post mounted arms
- Easy to install
- Fits a variety of commercially available Slatwalls
- Jaw height from 32mm to 82mm

Product Classification Brackets, Clamps & fixings

Max load Dependant on arm

Recycled content 35.56%

Total product recyclable 100%

LOGISTICAL

Box contains	Bracket
Product net weight:	0.5 kg
Box dims (HxWxD)	98 x 125 x 110 mm
Box gross weight	0.59 kg
Carton quantity	12
Master dims (HxWxD)	220 x 280 x 360 mm
Master weight	7.8 kg
Country of origin	China
Country of configuration	UK

ORDERING INFORMATION

<u>Product Description</u>	<u>Product code</u>	<u>Colour</u>
Universal Slatwall Mount	UNI/SWB/001	:/S Silver

WARRANTY

Warranty Term	Limited lifetime
----------------------	------------------

COMPLIANCE & SAFETY CERTIFICATION

Whilst no mandatory standards apply to the monitor arm product sector, all Colebrook Bosson Saunders monitor arms have been designed with appropriate articulation features, dimensional range and adjustability to conform to the requirements of BS EN ISO 9241:5 1999 Ergonomic requirements for office work with visual display terminals (VDTs).

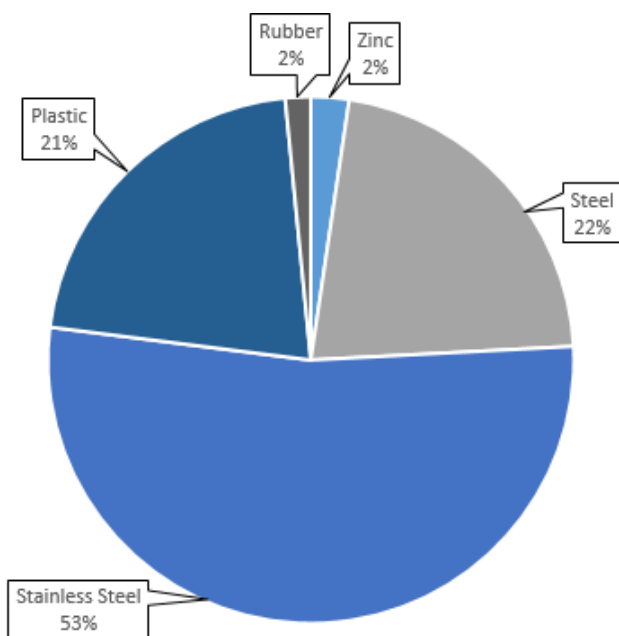
Conformance certification	N/A
Test authority	CBS
Safety certification	N/A

ENVIRONMENTAL

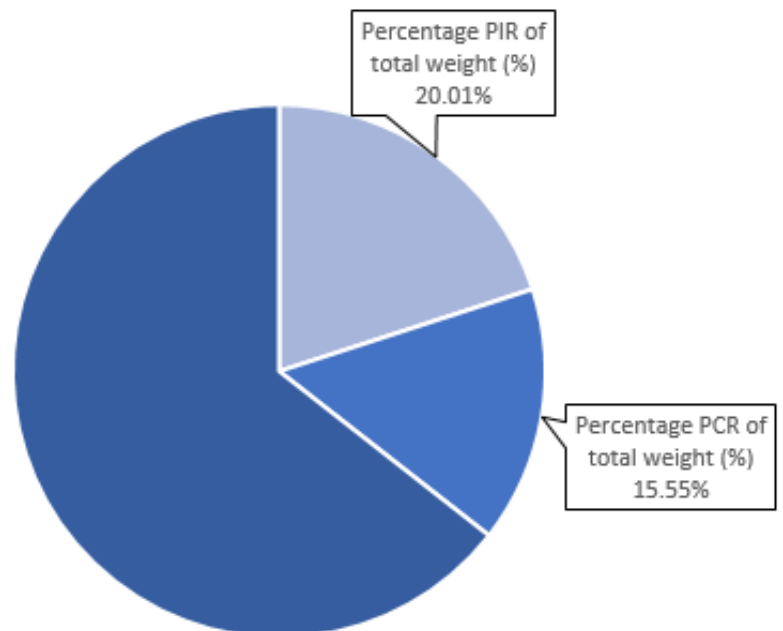
Material Make-up			Total Recycled Content	Breakdown of Recycled Content		Total Recyclable	
Overall Product			Overall Product	Overall Product		Overall Product	
Material type	Total Material type weight (g)	Percentage of Total Product Weight (%)	Material-Type Recycled Content (%)	Percentage PIR of total weight (%)	Percentage PCR of total weight (%)	Total Product Recyclable (g)	Total Product Recyclable (%)
Zinc	12	2%	1.03%	0.51%	0.51%	12	2%
Steel	112	22%	2.84%	0.48%	2.36%	112	22%
Stainless Steel	271	53%	31.70%	19.02%	12.68%	271	53%
Plastic	110	21%	0.00%	0.00%	0.00%	110	21%
Rubber	8	2%	0.00%	0.00%	0.00%	8	2%
Total	513	100%	35.56%	20.01%	15.55%	513	100%

PIR = Post Industrial Recycled
PCR = Post Consumer Recycled

Total Product Weight (%)



Total Product Recycled Content (%)



CLEANING, STORAGE & MAINTENANCE

Routine servicing

Periodic inspection

Service components

Available to order

Cleaning & Maintenance

Damp cloth, no abrasives, no solvents to be used on the cosmetic surfaces

Handling & Storage

Do not drop or expose to moisture

While every effort is made to ensure the accuracy of our technical information, Colebrook Bosson Saunders (Products) Ltd accept no liability for the accuracy of the information contained in this document and reserve the right to modify the specifications or data contained herein without prior notification.