



TECHNICAL SPECIFICATION SHEET

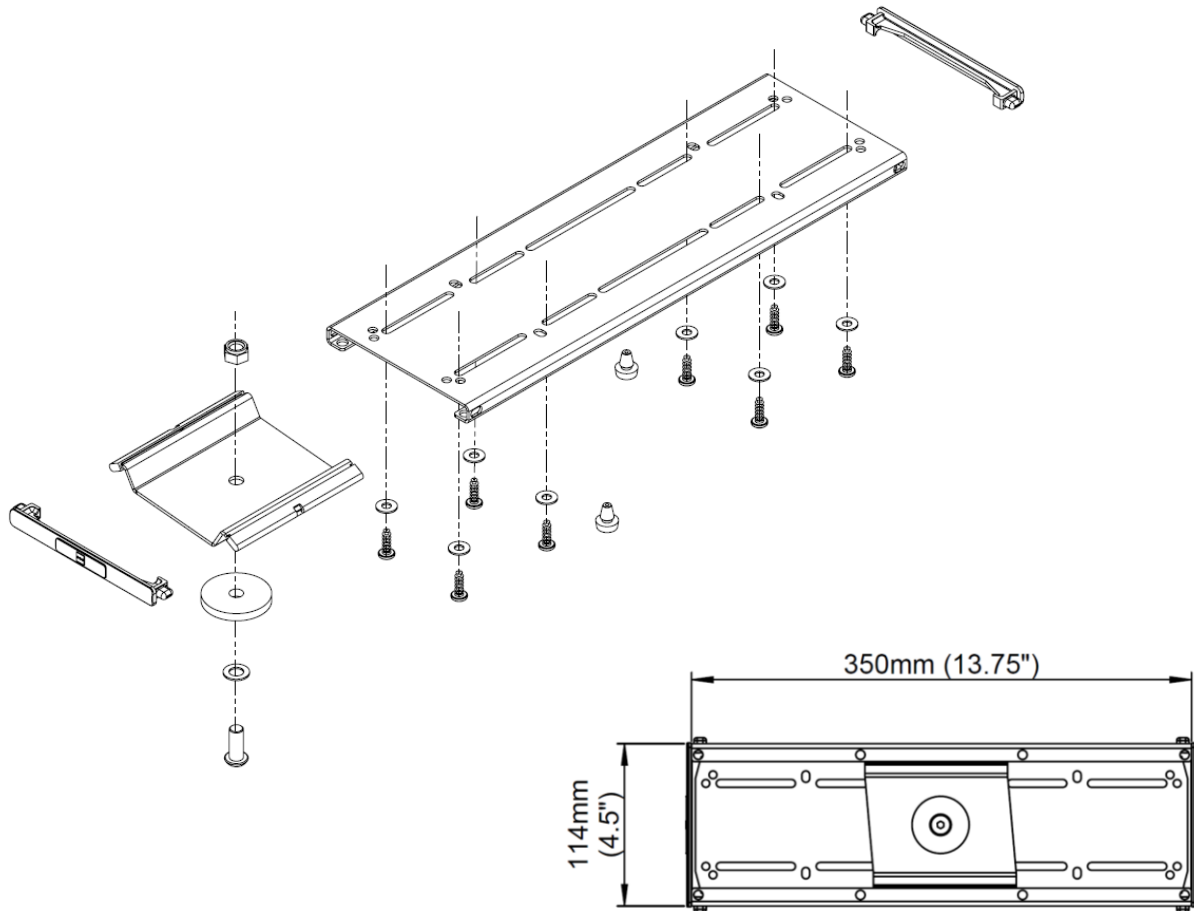
PRODUCT NAME: Universal slide & Rotate Track 350mm

PRODUCT CODE: UNI/SR350

Doc Rev 2.

Product Rev #N

08.08.2016 CF



*Note that dimensions provided are measured in mm

KEY FEATURES

- Compatible with all CBS CPU holders
- Easy to install / quick product to mount
- Provides sliding function & 360° rotation

Product Classification	Clamps, Brackets & Fixings
Max load	25kg (55.1 lbs)
Recycled content	12.7%
Total product recyclable	100%

LOGISTICAL

Box contains	Track & fixings
Product net weight:	0.88 kg
Box dims (HxWxD)	355 x 125 x 24 mm
Box gross weight	0.95 kg
Carton quantity	20
Master dims (HxWxD)	365 x 265 x 260 mm
Master weight	19.5 kg
Country of origin	China
Country of configuration	UK

ORDERING INFORMATION

<u>Product Description</u>	<u>Product code</u>	<u>Colour</u>
Universal slide & Rotate Track 350mm	UNI/SR350	:/S Silver

WARRANTY

Warranty Term	Limited lifetime
----------------------	------------------

COMPLIANCE & SAFETY CERTIFICATION

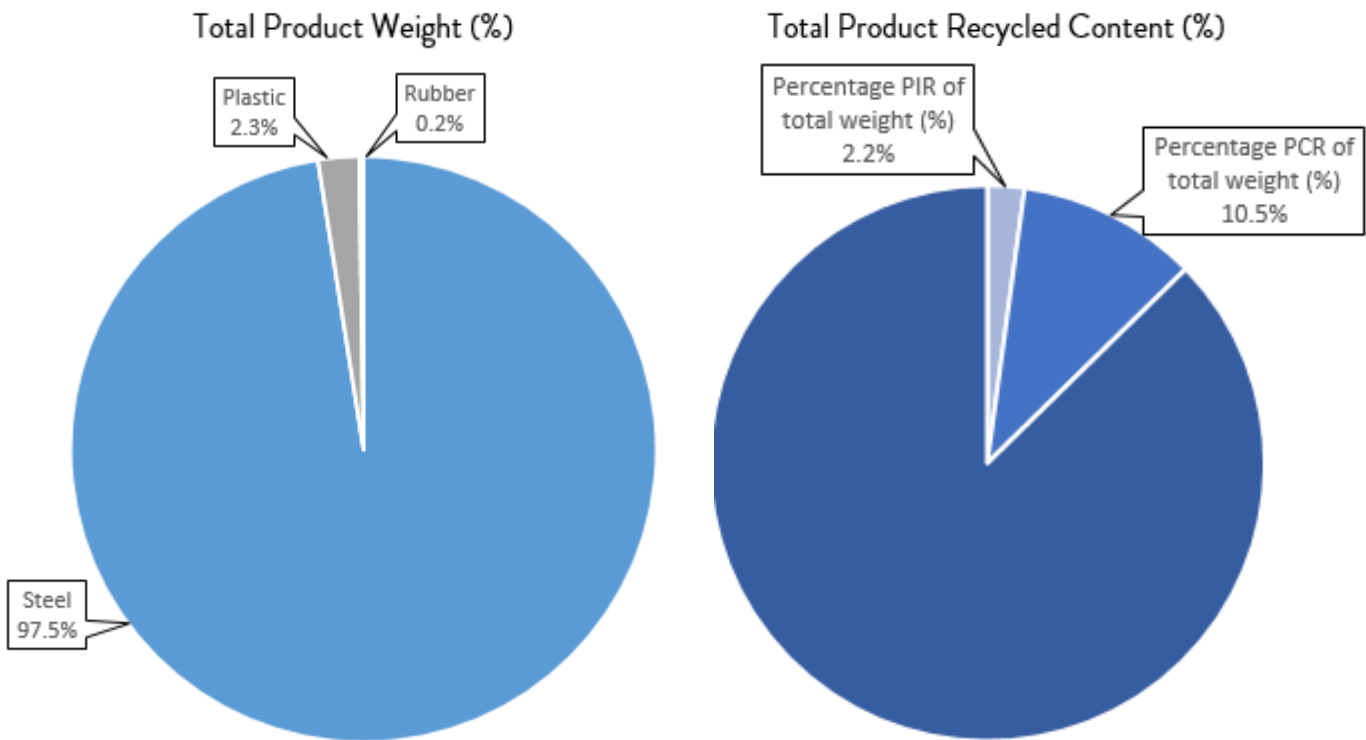
Whilst no mandatory standards apply to the CPU Holder product sector, all Colebrook Bosson Saunders CPU Holders have been designed with appropriate articulation features, dimensional range and adjustability to conform to the requirements of BS EN ISO 9241:5 1999 Ergonomic requirements for office work with visual display terminals (VDTs).

Conformance certification	N/A
Test authority	CBS
Safety certification	N/A

ENVIRONMENTAL

Material Make-up			Total Recycled Content	Breakdown of Recycled Content		Total Recyclable	
Overall Product			Overall Product			Overall Product	
Material type	Total Material type weight (g)	Percentage of Total Product Weight (%)	Material-Type Recycled Content (%)	Percentage PIR of total weight (%)	Percentage PCR of total weight (%)	Total Product Recyclable (g)	Total Product Recyclable (%)
Steel	860	97.5%	12.7%	2.2%	10.5%	860	97.5%
Plastic	20	2.3%	0.0%	0.0%	0.0%	20	2.3%
Rubber	2	0.2%	0.0%	0.0%	0.0%	2	0.2%
Total	882	100.0%	12.7%	2.2%	10.5%	882	100.0%

PIR = Post Industrial Recycled
PCR = Post Consumer Recycled



CLEANING, STORAGE & MAINTENANCE

Routine servicing

Periodic inspection

Service components

Available to order

Cleaning & Maintenance

Damp cloth, no abrasives, no solvents to be used on the cosmetic surfaces

Handling & Storage

Do not drop or expose to moisture

While every effort is made to ensure the accuracy of our technical information, Colebrook Bosson Saunders (Products) Ltd accept no liability for the accuracy of the information contained in this document and reserve the right to modify the specifications or data contained herein without prior notification.