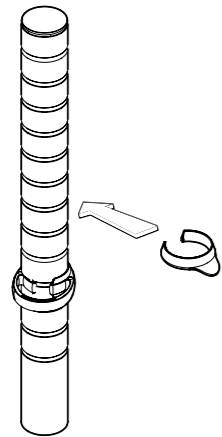


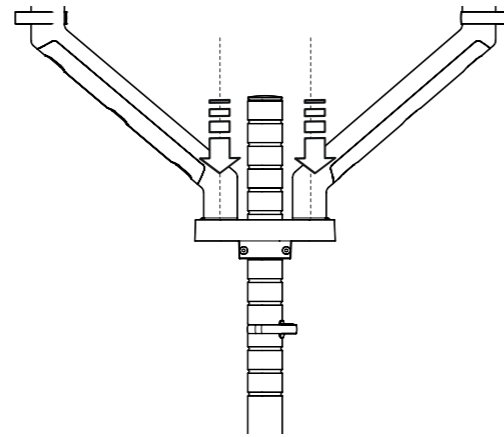
FIT HIGH LOAD RING INTO DESIRED POSITION ON POST

1



FIT FLO ARMS ONTO CLAMP BRACKET

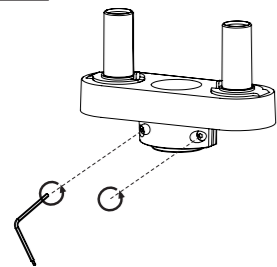
4



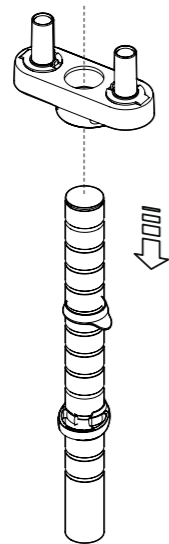
LOOSEN FRONT TIGHTENING SCREWS (IF REQUIRED). LOWER BRACKET ASSEMBLY ONTO POST AND HIGH LOAD RING

2

2A

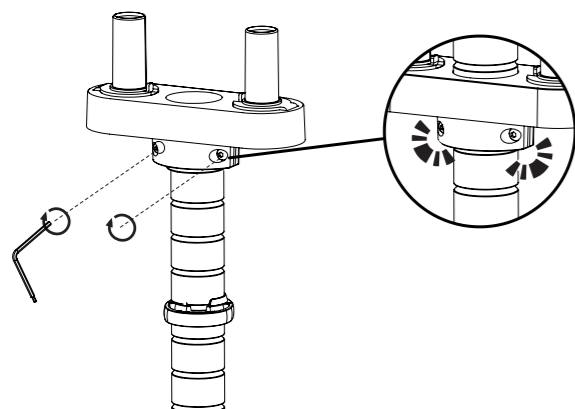


2B



TIGHTEN FIXING SCREWS TO SECURE CLAMP BRACKET ONTO POST

3



FLO DUAL POST MOUNT BRACKET

DYN-DPM-GA01-INST-A-JUL2013

WARNING

- Do not use this product for any purpose other than that for which it was designed
- Ensure post is suitable to take the weight of the arm/s and monitors
- Supported weight must not exceed the maximum load per arm
- Take care when installing as fingers could become trapped

MAINTENANCE AND INSPECTION

- Ensure all screws are tightened and occasionally adjust if needed
- Ensure bracket is secured to post before installing the arm and monitor
- Clean with a damp cloth, NO solvents

DISCLAIMERS

- The use of power tools, lever bars or excessive force during the installation, or re-configuration of the product will invalidate your guarantee
- Failure to observe the recommendations in the use, and configuration of these products may affect your guarantee



www.colebrookbossonsaunders.com

