

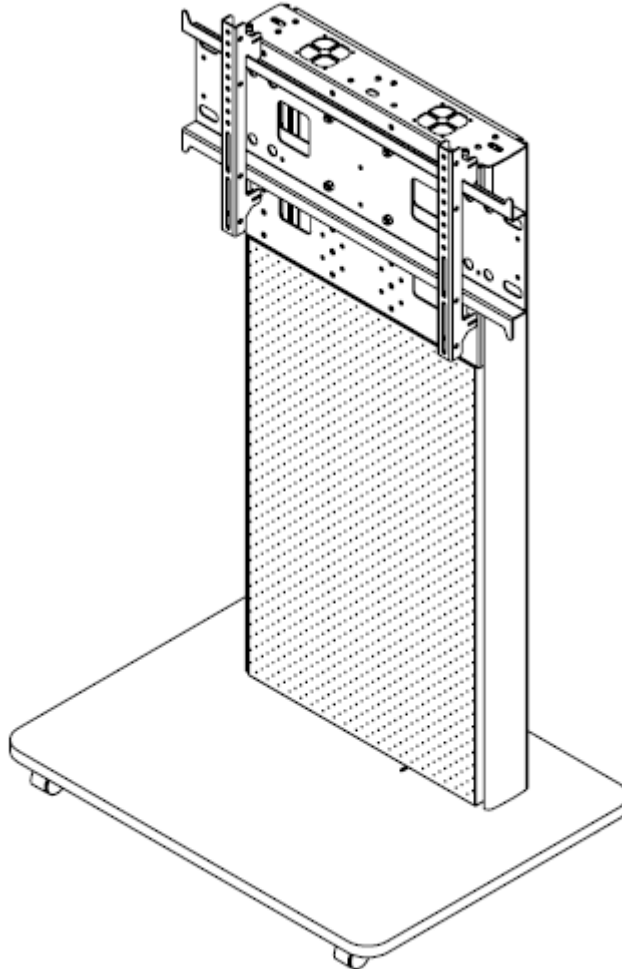


## TECHNICAL SPECIFICATION SHEET

**PRODUCT NAME:** AVALL Standard

**PRODUCT CODE:** AVS/002/B \*Formerly AVS/001/B

Doc Rev 1. 19.10.2015. CF



### KEY FEATURES

- Single screen mount capacity – 32” to 80”
- Dual Screen capacity – 32” to 65”
- Flat screen mount bracket
- Lockable castors
- Column features internal equipment storage and cable management
- Lockable back panel for security and easy access
- Additional accessories available

<b>Product Classification</b>	AV Products
<b>Max load</b>	60kg (132lbs) per screen
<b>Build level</b>	A
<b>Recycled content</b>	TBC
<b>Total product recyclable</b>	TBC%

## LOGISTICAL

---

Box contains	AVALL Standard
Product net weight:	48 kg
Pallet dims (HxWxD)	1800 x 1200 x 800 mm
Pallet gross weight	51 kg
Pallet quantity	2 per pallet
Master dims (HxWxD)	1800 x 1200 x 800 mm
Master weight	126 kg
Country of origin	Czech Republic
Country of configuration	UK

## ORDERING INFORMATION

---

<u>Colour</u>	<u>Product code</u>	<u>EAN</u>
Black	AVS/002/B	5060270824084

## WARRANTY

---

<b>Warranty Term</b>	Limited lifetime
----------------------	------------------

## COMPLIANCE & SAFETY CERTIFICATION

---

Whilst no mandatory standards apply to the AVALL accessory product sector, this product is tested to CBS's own standard which is based on UL 1678, (Tall display stands in public spaces, excluding hospitals, schools or similar environments where children, people with diminished capacity or disabilities are likely to move

<b>Conformance certification</b>	N/A
<b>Test authority</b>	FIRA
<b>Safety certification</b>	N/A

## ENVIRONMENTAL

---

<b>Material type</b>	<b>Material type Weight</b>	<b>% PIR of total weight</b>	<b>% PCR of total weight</b>	<b>% of total product recyclable</b>
Data To Be Confirmed				

## CLEANING, STORAGE & MAINTENANCE

---

<b>Routine servicing</b>	Periodic inspection
<b>Service components</b>	Available to order
<b>Cleaning &amp; Maintenance</b>	Damp cloth, no abrasives, no solvents to be used on the cosmetic surfaces
<b>Handling &amp; Storage</b>	Do not drop or expose to moisture

---

Colebrook Bosson Saunders (Products) Ltd accept no liability for the accuracy of the information contained herein and retain the right to modify the specifications or data contained herein without prior notification.