

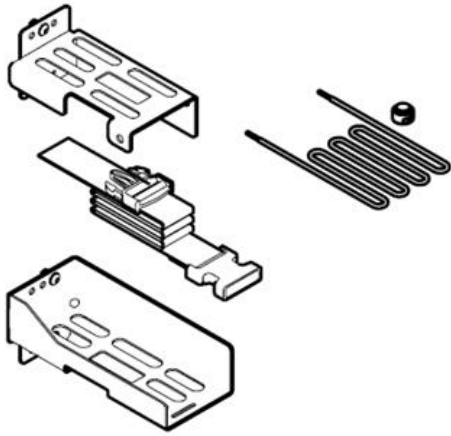


TECHNICAL SPECIFICATION SHEET

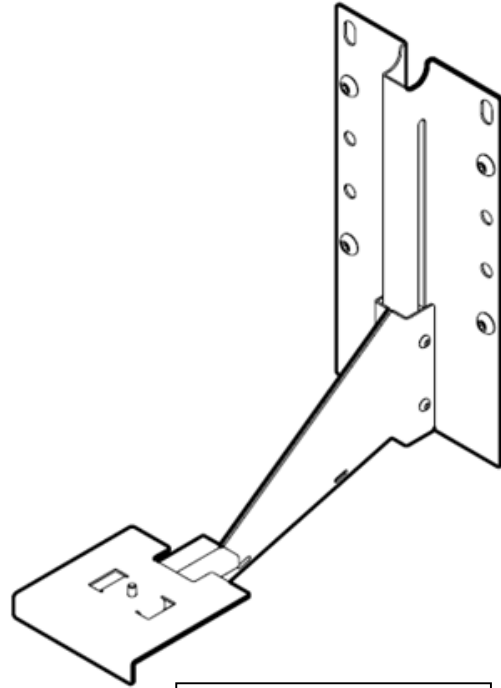
PRODUCT NAME: AVALL Blade VC Kit

PRODUCT CODE: AVS/002/VC2 *Formerly AVS/001/VC2

Doc Rev 1. 12.10.2015. CF



AVALL Universal Codec Mount



AVALL Blade Camera Mount

KEY FEATURES

- Kit includes a Blade Camera Mount and a Universal Codec Mount.
- Camera mount is compatible with a range of VC cameras.
- Thin 'blade' structure permits mounting between dual screens. Mount is height adjustable.
- Codec mount is compatible with a range of VC codecs.
- Permits mounting of codec within AVALL column structure.
- Perforated to avoid obstruction to codec ventilation.

Product Classification	AV Products
Max load	6kg (13.2lbs)
Build level	#B
Recycled content	TBC
Total product recyclable	TBC

LOGISTICAL

Box contains	AVALL Blade camera mount, Universal Codec mount kit
Product net weight:	3.1 kg
Box dims (HxWxD)	380 x 250 x 90 mm
Box gross weight	3.3 kg
Carton quantity	1
Master dims (HxWxD)	380 x 250 x 90 mm
Master weight	3.3 kg
Country of origin	Czech Republic
Country of configuration	UK

ORDERING INFORMATION

<u>Colour</u>	<u>Product code</u>	<u>EAN</u>
Black	AVS/002/VC2/B	5060270824596

WARRANTY

Warranty Term	Limited lifetime
----------------------	------------------

COMPLIANCE & SAFETY CERTIFICATION

Whilst no mandatory standards apply to the AVALL accessory product sector, this product is tested to CBS's own standard which is based on UL 1678, (Tall display stands in public spaces, excluding hospitals, schools or similar environments where children, people with diminished capacity or disabilities are likely to move)

Conformance certification	N/A
Test authority	FIRA
Safety certification	N/A

ENVIRONMENTAL

Material type	Material type Weight	% PIR of total weight	% PCR of total weight	% of total product recyclable
Data To Be Confirmed				

CLEANING, STORAGE & MAINTENANCE

Routine servicing	Periodic inspection
Service components	Available to order
Cleaning & Maintenance	Damp cloth, no abrasives, no solvents to be used on the cosmetic surfaces
Handling & Storage	Do not drop or expose to moisture

Colebrook Bosson Saunders (Products) Ltd accept no liability for the accuracy of the information contained herein and retain the right to modify the specifications or data contained herein without prior notification.