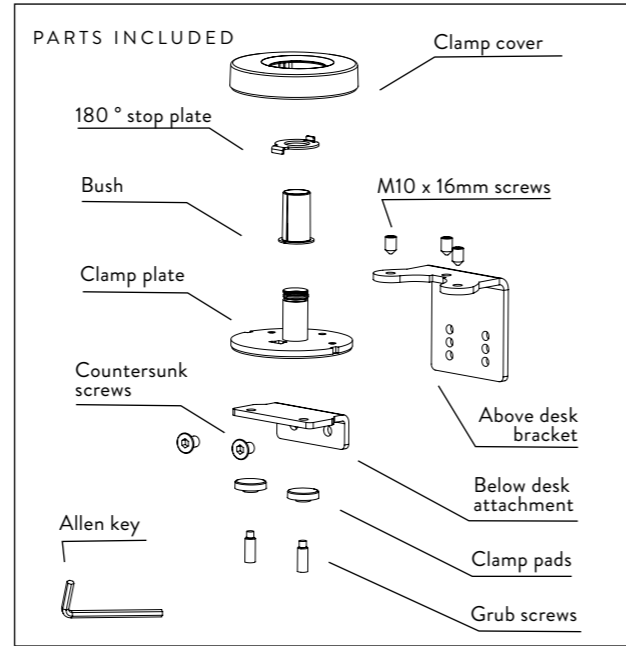
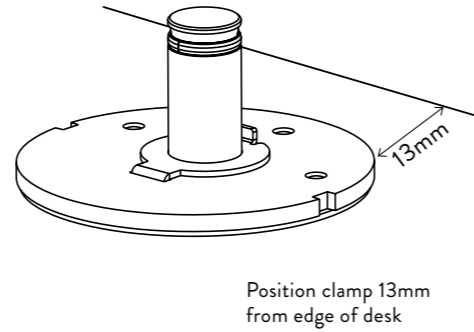


FLO PLUS SPLIT MOUNT CLAMP

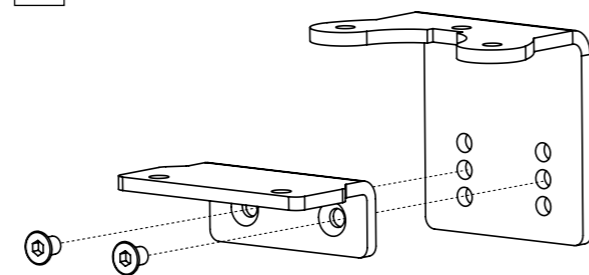
DYN-026-A35-INST-A-SEP 2015



1 POSITION CLAMP PLATE ONTO WORK SURFACE



2 CONFIGURE CLAMP BRACKET



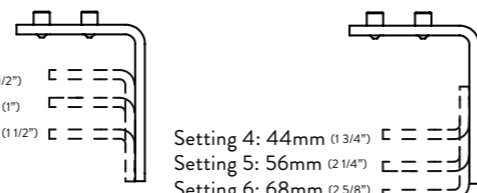
If required change the clamp plate setting by removing Countersunk screws and adjusting to correct setting

Regular maximum desk thicknesses

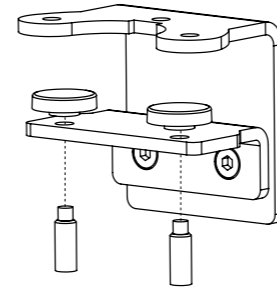
- Setting 1: 12mm (1/2")
- Setting 2: 24mm (1")
- Setting 3: 36mm (1 1/2")

Inverted maximum desk thicknesses

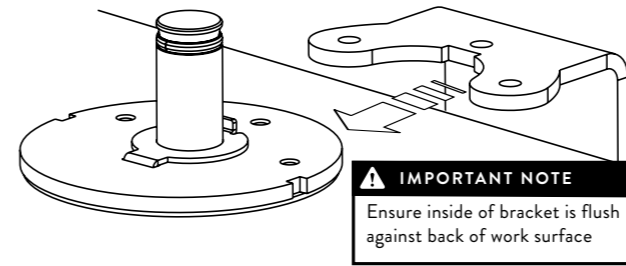
- Setting 4: 44mm (1 3/4")
- Setting 5: 56mm (2 1/4")
- Setting 6: 68mm (2 5/8")



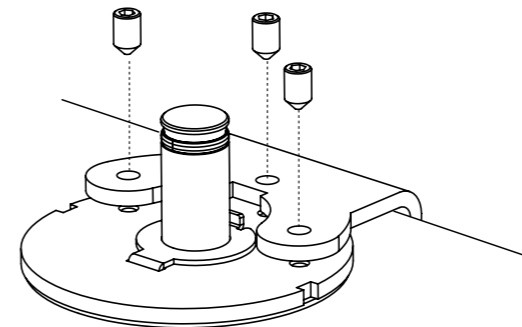
3 INSTALL GRUB SCREWS AND CLAMP PADS



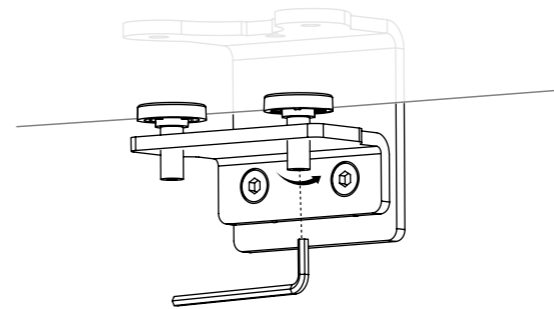
4 FIT CLAMP BRACKET



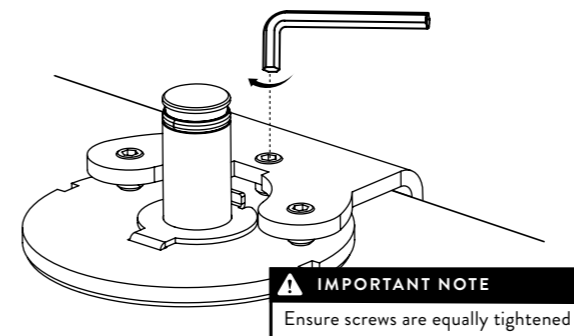
5 FIT M10 x 16 SCREWS



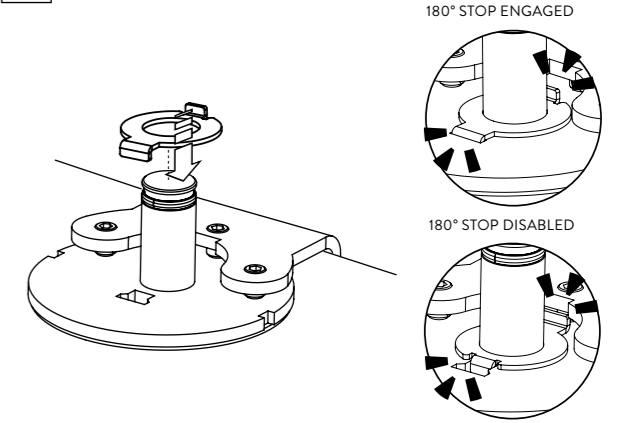
6 TIGHTEN GRUB SCREWS INTO POSITION



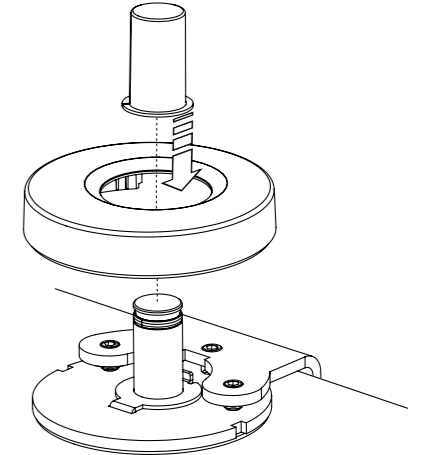
7 FULLY TIGHTEN UPPER SCREWS



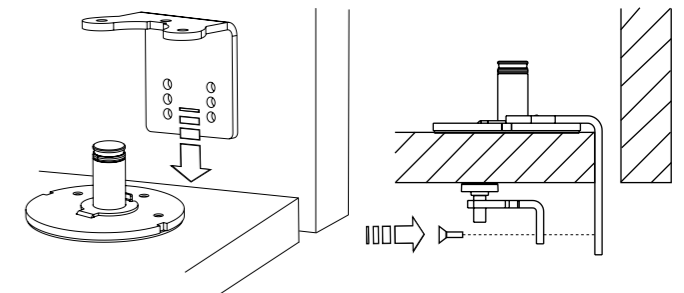
8 CONFIGURE 180° STOP COMPONENT



9 FIT CLAMP COVER AND BUSH



ALTERNATIVE INSTALLATION METHOD FOR RESTRICTED GAP AT REAR OF WORK SURFACE



WARNING

- Do not use this product for any purpose other than that for which it was designed
- Ensure desk/work surface is suitable to take the weight of the arm/s and monitors
- Supported weight must not exceed the maximum load per arm
- Take care when installing as fingers could become trapped

MAINTENANCE AND INSPECTION

- Ensure all screws and fixings are fully tightened and occasionally re-tighten if necessary.
- Clean with a damp cloth. DO NOT use solvents.

DISCLAIMERS

- The use of power tools, lever bars or excessive force during the installation, or re-configuration of the product will invalidate your guarantee
- Failure to observe the recommendations in the use, and configuration of these products may affect your guarantee