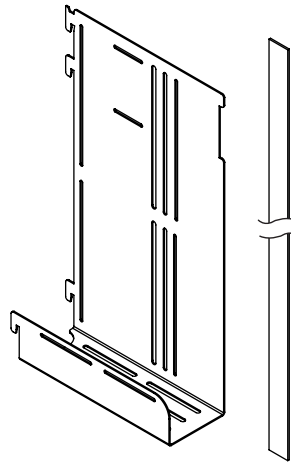






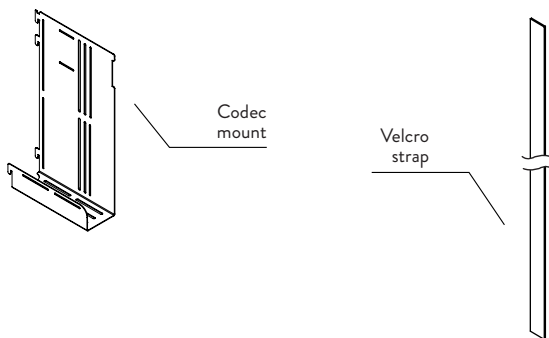
Installation Instructions for AV/VC One Codec Mount

AVS/021/COD1




 REFER ALSO TO MAIN
INSTRUCTIONS FOR AV/VC
ONE STAND INSTALLATION 

PARTS INCLUDED: AVS/021/COD1

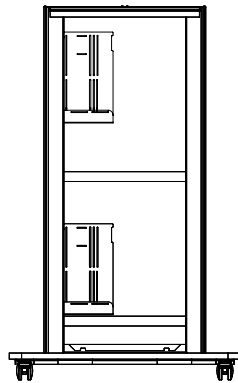


Codec
mount

Velcro
strap

 **IMPORTANT NOTE**

Choose mounting position
in AV/VC One column
according to preferred
arrangement or convenient
cable paths.



 **WARNING**

- Do not install equipment heavier than 1kg/2.2lb.
- Use with products heavier than the maximum weights indicated may result in instability causing possible injury.
- Correct installation is essential to safe and reliable operation of the AV/VC One product and falls outside the scope of responsibility of Colebrook Bosson Saunders. Please follow assembly instructions carefully.
- Do not use this product for any purpose other than that for which it was designed.
- Ensure that floor or wall surface is strong enough to support the weight of the fully-loaded AV/VC One and that the floor surface is flat and level.
- Do not install AV/VC One outdoors or in environments where it will be directly exposed to moisture or highwinds.
- Follow the manufacturer's guidance for mounting of monitors, displays and other equipment.
- Please take care to avoid trapping fingers when installing or adjusting the product.

 **ELECTRICAL SAFETY**

- Safe installation of electrical equipment is the responsibility of the installer.
- Colebrook Bosson Saunders recommends that only double-insulated electrical equipment and cables are installed in AV/VC One unit.

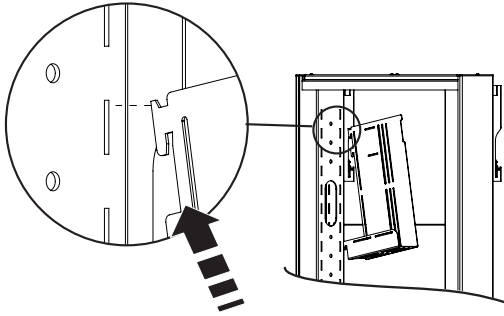
 **MAINTENANCE AND INSPECTION**

- Ensure all screws and fixings are fully tightened and occasionally re-tighten if necessary.
- Clean with a dampcloth. DO NOT use solvents.

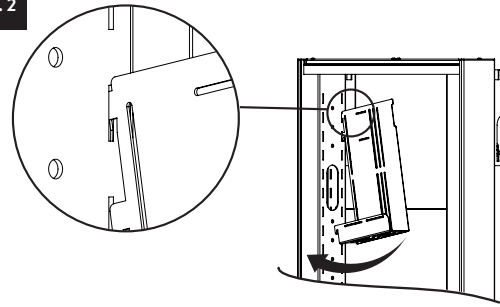
 **DISCLAIMER**

As part of Colebrook Bosson Saunders ongoing product improvement programme, the design of products may change without prior notice and details may vary from those illustrated.

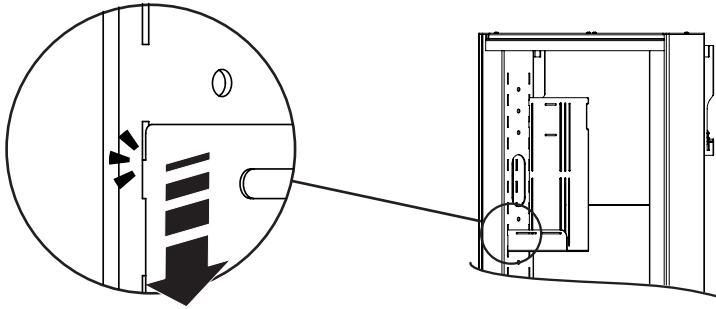
1.1



1.2



1.3

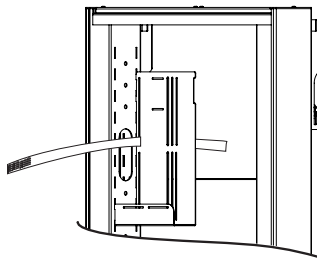


IMPORTANT NOTE
Ensure all hooks are fully engaged.

2.1

INSTALL VELCRO STRAP

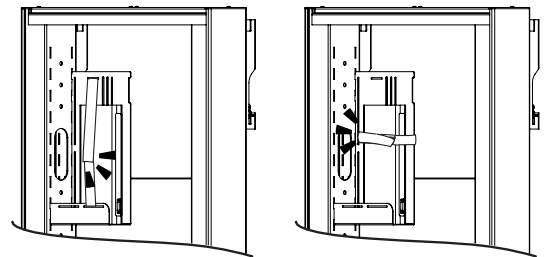
Install velcro strap in slot position to suit chosen codec



2.2

RETAIN CODEC TO MOUNT

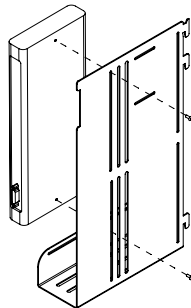
Use velcro strap to retain codec in most convenient orientation



2.3

SCREW FIXING OPTION

Some codecs can be fixed to the mount using screws into dedicated fixing holes. In this case you may find it easier to fix the codec to the mount before installing into the AV/VC One column.

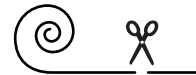


IMPORTANT NOTE

Fixing screws are not supplied. Please source suitable screws for your chosen codec

NOTE

Cut velcro to desired length as required



INSTALLATION IS NOW COMPLETE



PLEASE CONSIDER LEAVING THESE INSTRUCTIONS WITH THE UNIT IF FURTHER INSTALLATION MAY BE REQUIRED BY OTHERS