



TECHNICAL SPECIFICATION SHEET

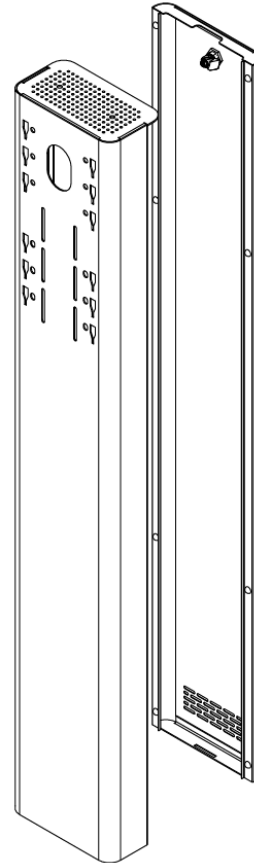
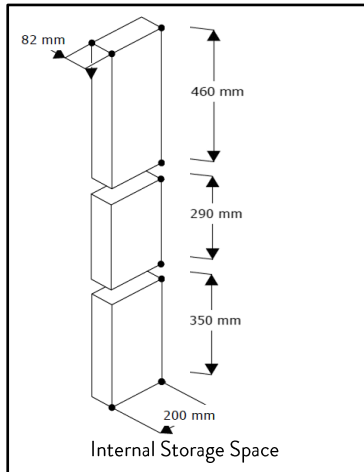
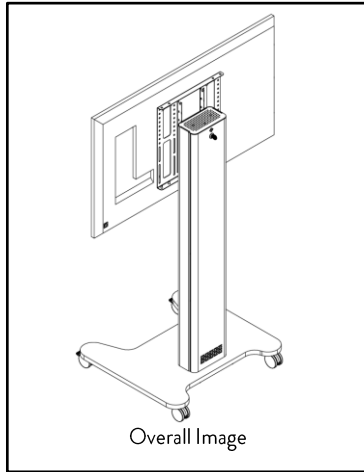
PRODUCT NAME: AV/VC Intro – Column Incl Back Panel

PRODUCT CODE: AVS/031/001

Doc Rev 1.

Product Rev #A

04.01.2017. CF



*Note that dimensions provided are measured in mm

KEY FEATURES

- Lockable back panel for security and easy access
- Ventilation feature located on back panel and on the top of unit
- Equipment basket provides storage for codec mounts, DVD players or alternative compact electrical devices
- Cable management feature

Product Classification	AV Products
Max load	60 kg (132 lbs)
Min to Max Screen Size	40" > 80"
Recycled content	12%
Total product recyclable	96%

LOGISTICAL

Box contains	Colum, Lockable Back panel, key and fixings
Product net weight:	15.9kg
Box dims (HxWxD)	1450 x 150 x 260 mm
Box gross weight	18.7kg
Pallet quantity	TBC
Pallet dims (HxWxD)	TBC
Master weight	TBC
Country of origin	Czech Republic
Country of configuration	UK

ORDERING INFORMATION

<u>Product Description</u>	<u>Product code</u>	<u>Colour</u>
AV/VC Intro - Column Incl Back Panel	AVS/031/001	:/W White or :/B Black

WARRANTY

Warranty Term	Limited lifetime
----------------------	------------------

COMPLIANCE & SAFETY CERTIFICATION

Whilst no mandatory standards apply to the AV/VC Intro accessory product sector, this product is tested to CBS's own standard which is based on UL 1678, (Tall display stands in public spaces, excluding hospitals, schools or similar environments where children, people with diminished capacity or disabilities are likely to move

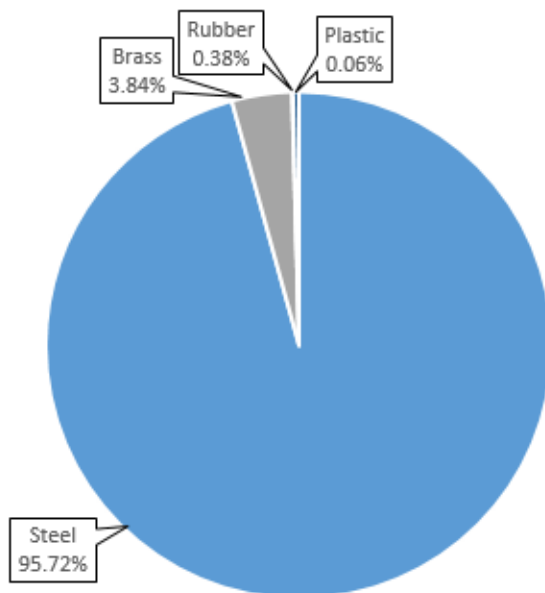
Conformance certification	N/A
Test authority	CBS
Safety certification	N/A

ENVIRONMENTAL

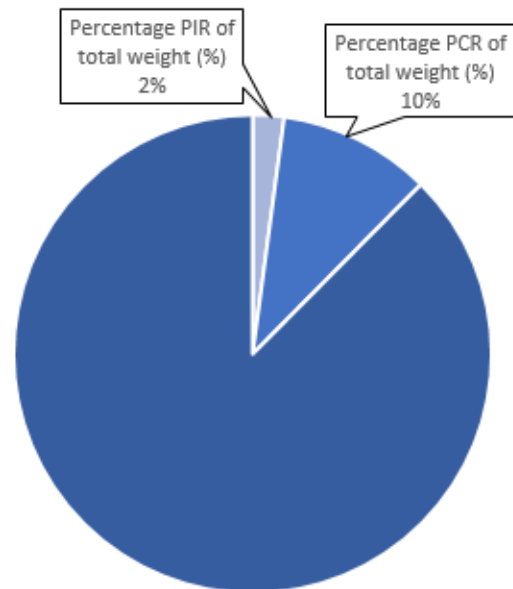
Material Make-up			Total Recycled Content	Breakdown of Recycled Content		Total Recyclable	
Overall Product			Overall Product	Overall Product		Overall Product	
Material type	Total Material type weight (g)	Percentage of Total Product Weight (%)	Material-Type Recycled Content (%)	Percentage PIR of total weight (%)	Percentage PCR of total weight (%)	Total Product Recyclable (g)	Total Product Recyclable (%)
Steel	1522	95.72%	12%	2%	10%	1522	96%
Brass	61	3.84%	0%	0%	0%	0	0%
Plastic	1	0.06%	0%	0%	0%	0	0%
Rubber	6	0.38%	0%	0%	0%	6	0%
Total	1590	100.00%	12%	2%	10%	1528	96%

PIR = Post Industrial Recycled
PCR = Post Consumer Recycled

Total Product Weight (%)



Total Product Recycled Content (%)



CLEANING, STORAGE & MAINTENANCE

Routine servicing

Periodic inspection

Service components

Available to order

Cleaning & Maintenance

Damp cloth, no abrasives, no solvents to be used on the cosmetic surfaces

Handling & Storage

Do not drop or expose to moisture

Colebrook Bosson Saunders (Products) Ltd accept no liability for the accuracy of the information contained herein and retain the right to modify the specifications or data contained herein without prior notification.