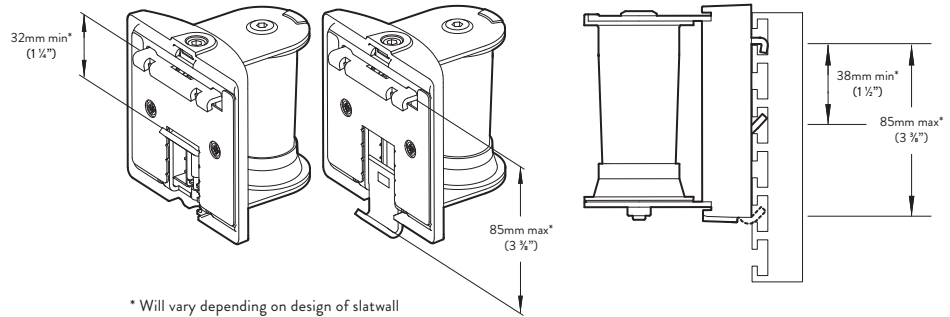


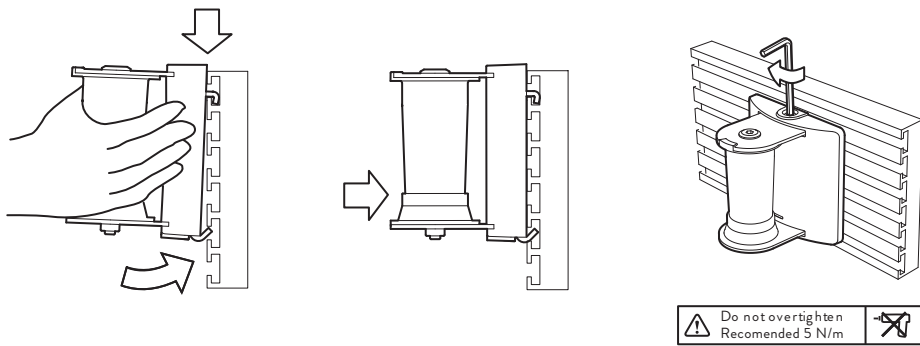
**Before you start**

- 1-1 Check to see the slatwall is strong enough to support the load and that the slats fall within range of adjustment



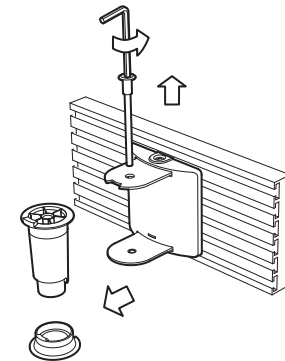
**Attaching bracket to slatwall**

- 2-1 Offer to slatwall
- 2-2 Push bracket against slatwall
- 2-3 Tighten adjuster screw

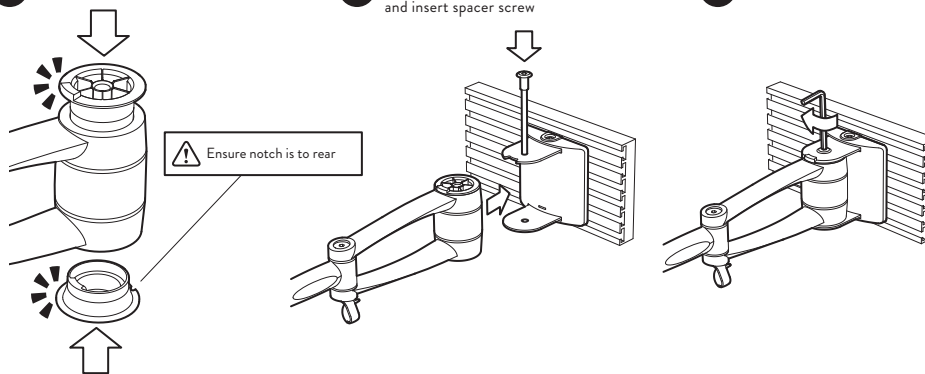


**Installing the arm**

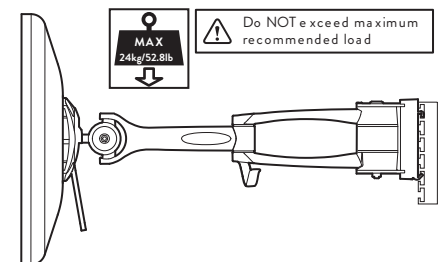
- 3-1 Remove spacers



- 3-2 Add spacers to arm
- 3-3 Add arm to the bracket and insert spacer screw
- 3-4 Tighten spacer screw

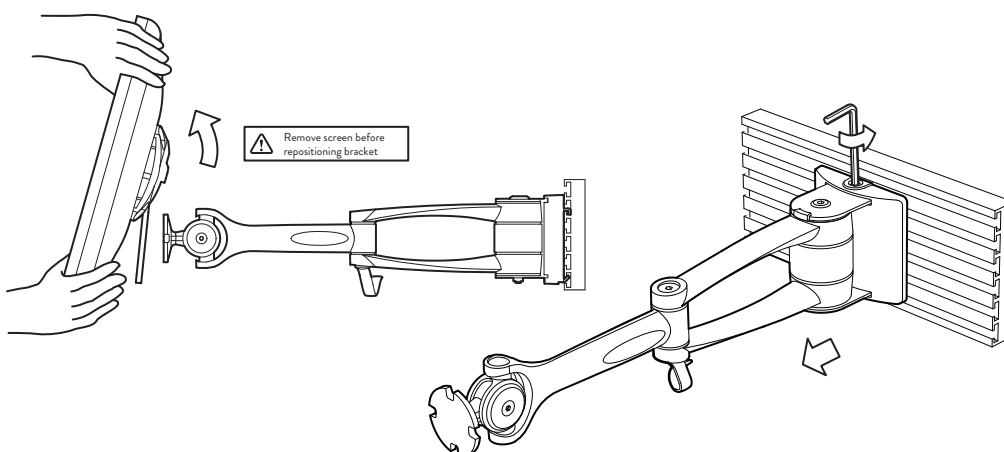


**Maximum loading**



**Repositioning bracket**

- 4-1 Remove screen
- 4-2 Unwind adjusting screw until jaws become free then remove bracket



**WARNING**

- Ensure the slatwall is suitable to take the weight of the screen and mounting.
- Do not use this product for any purpose other than that for which it was designed.
- Hold the screen tightly when making adjustments.
- Care should be taken to avoid trapping fingers.
- Do not dismantle or modify the screen mounting.
- Supported weight must not exceed 24Kg (52.8lb)

**MAINTENANCE and INSPECTION**

- Ensure all screws are tightened and occasionally adjust if needed.
- Clean with a damp cloth, NO solvents.

**DISCLAIMERS**

- The use of power tools, lever bars or excessive force during the installation, or re-configuration of the product will invalidate your guarantee.
- Failure to observe the recommendations in the use, and configuration of these products may affect your guarantee.

International patents pending

issue no. 2 AUGUST/2012 www.cbsproducts.co.uk