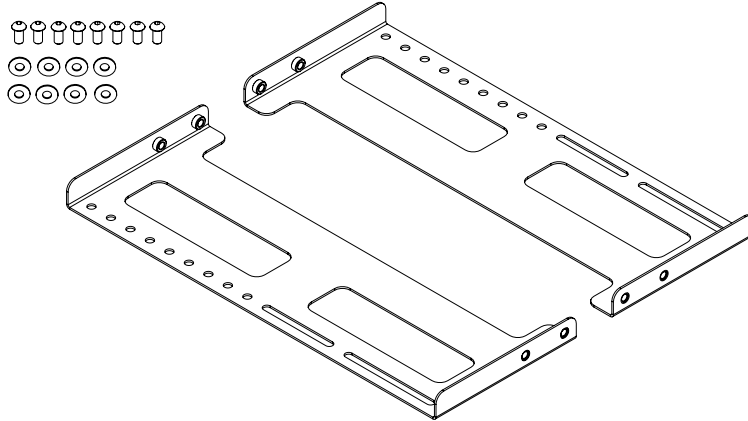




Installation Instructions for AV/VC Intro Vesa Extension kit

AVS/031/EXT1



REFER ALSO TO MAIN INSTRUCTIONS FOR AV/VC INTRO STAND INSTALLATION

PARTS INCLUDED:	AVS/031/EXT1
<p>M8 Screws x8 </p> <p>M8 Washers x8 </p>	<p>Extension Brackets x2</p>

WARNING

- Single screen installation: 80" max size. 60kg (132lbs) max weight.
- Use with products heavier than the maximum weights indicated may result in instability causing possible injury.
- Correct installation is essential to safe and reliable operation of the AV/VC Intro product and falls outside the scope of responsibility of Colebrook Bosson Saunders. Please follow assembly instructions carefully.
- Do not use this product for any purpose other than that for which it was designed.
- Ensure that floor or wall surface is strong enough to support the weight of the fully-loaded AV/VC Intro and that the floor surface is flat and level.
- Do not install AV/VC Intro outdoors or in environments where it will be directly exposed to moisture or high winds.
- Follow the manufacturer's guidance for mounting of monitors, displays and other equipment.
- Please take care to avoid trapping fingers when installing or adjusting the product.

ELECTRICAL SAFETY

- Safe installation of electrical equipment is the responsibility of the installer.
- Colebrook Bosson Saunders recommends that only double-insulated electrical equipment and cables are installed in AV/VC Intro unit.

MAINTENANCE AND INSPECTION

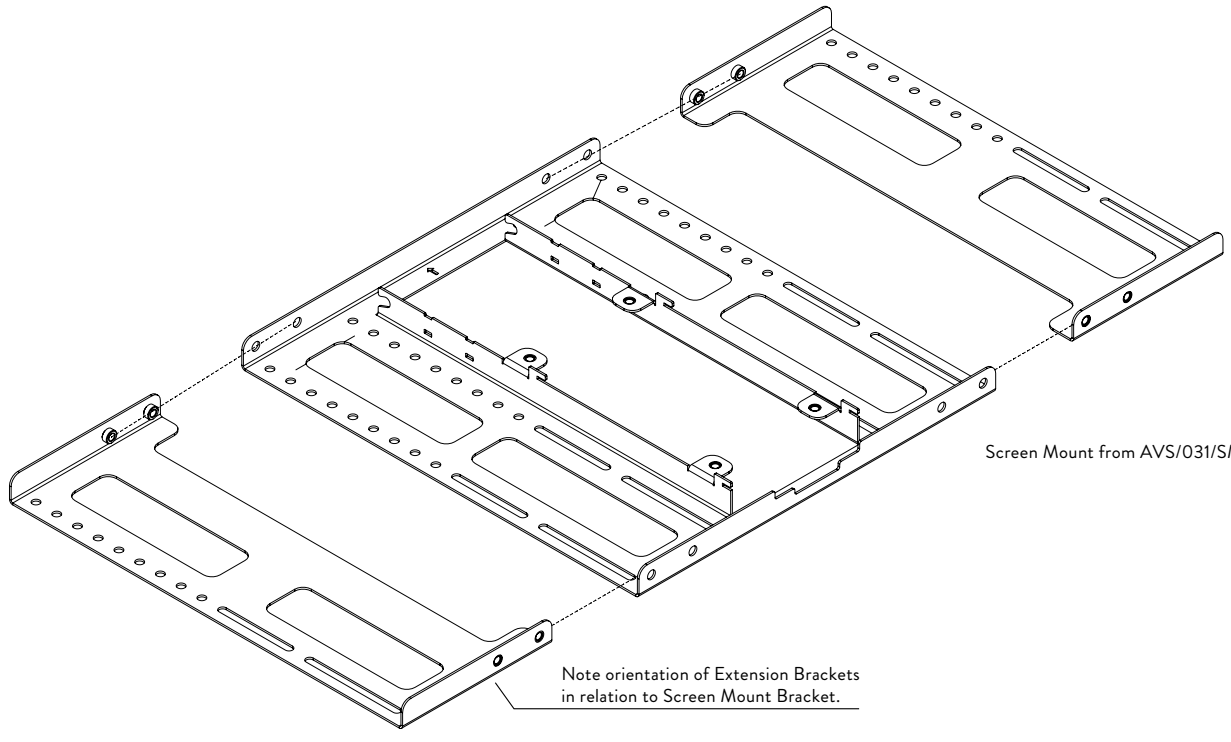
- Ensure all screws and fixings are fully tightened and occasionally re-tighten if necessary.
- Clean with a damp cloth. DO NOT use solvents.

DISCLAIMER

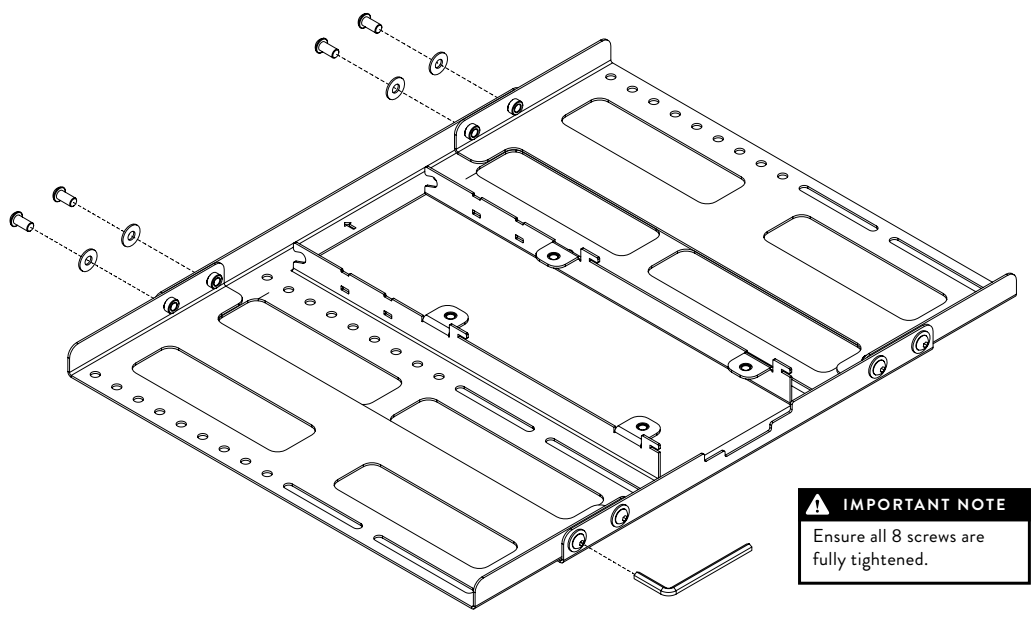
As part of Colebrook Bosson Saunders ongoing product improvement programme, the design of products may change without prior notice and details may vary from those illustrated.



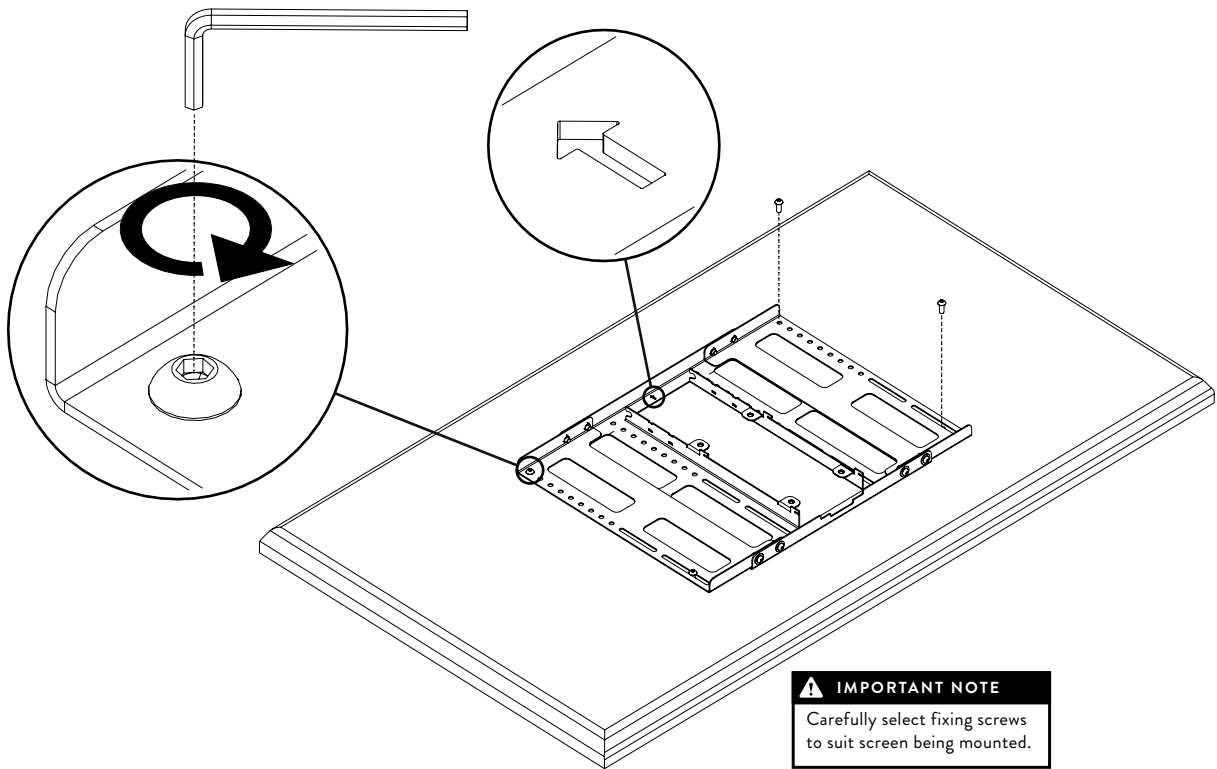
1.1 ASSEMBLE EXTENSIONS TO SCREEN MOUNT BRACKET





1.2 INSERT ALL FIXINGS AND FULLY TIGHTEN

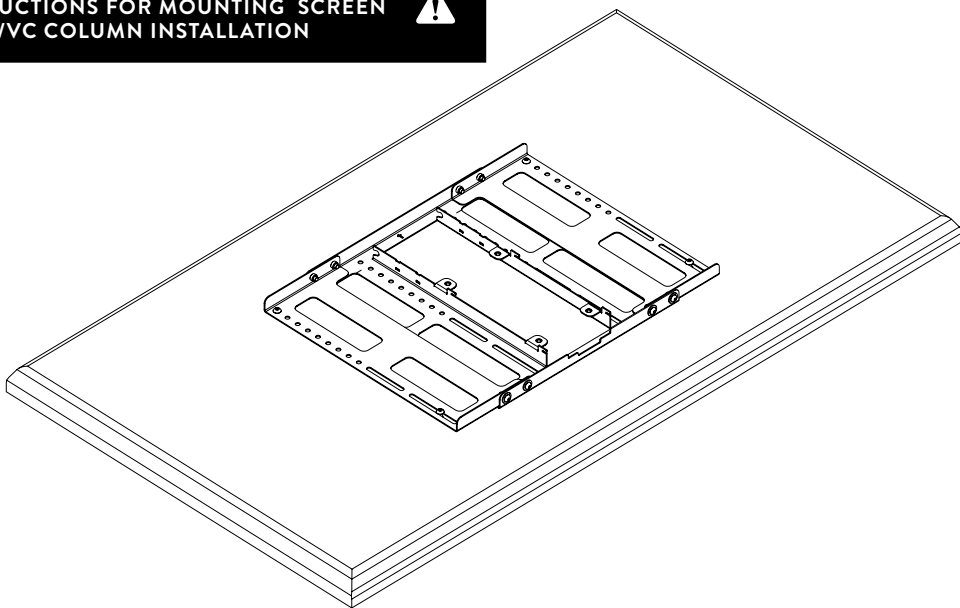


2.1 FIX SCREEN MOUNT TO SCREEN USING FIXTURES FROM AVS/031/SMK1



2.2 YOUR EXTENSION KIT INSTALL IS NOW COMPLETE

 REFER ALSO TO MAIN INSTALLATION INSTRUCTIONS FOR MOUNTING SCREEN TO AV/VC COLUMN INSTALLATION 



PLEASE CONSIDER LEAVING THESE INSTRUCTIONS WITH THE UNIT IF FURTHER INSTALLATION MAY BE REQUIRED BY OTHERS

