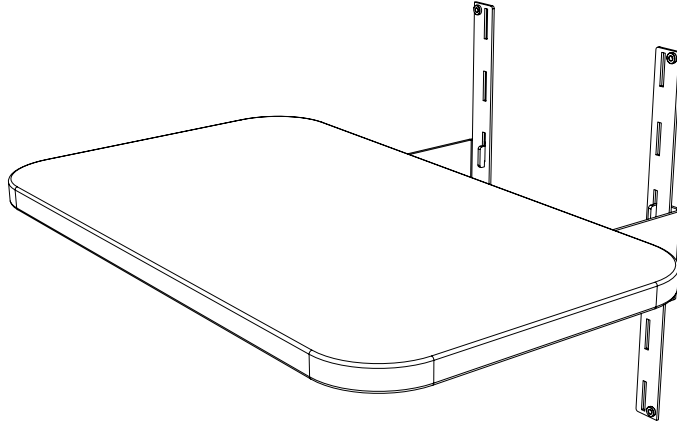





Installation Instructions for AV/VC Intro Shelf Mount

AVS/031/SLF1



REFER ALSO TO MAIN INSTRUCTIONS FOR AV/VC INTRO STAND INSTALLATION 

PARTS INCLUDED: AVS/031/SLF1

Shelf

Shelf Brackets x2

Column Brackets x2

M6 Screws x4

M4 Screws x4

WARNING

- Do not install equipment heavier than 6kg/13.2lb.
- Use with products heavier than the maximum weights indicated may result in instability causing possible injury.
- Correct installation is essential to safe and reliable operation of the AV/VC Intro product and falls outside the scope of responsibility of Colebrook Bosson Saunders. Please follow assembly instructions carefully.
- Do not use this product for any purpose other than that for which it was designed.
- Ensure that floor or wall surface is strong enough to support the weight of the fully-loaded AV/VC Intro and that the floor surface is flat and level.
- Do not install AV/VC Intro outdoors or in environments where it will be directly exposed to moisture or highwinds.
- Follow the manufacturer's guidance for mounting of monitors, displays and other equipment.
- Please take care to avoid trapping fingers when installing or adjusting the product.

ELECTRICAL SAFETY

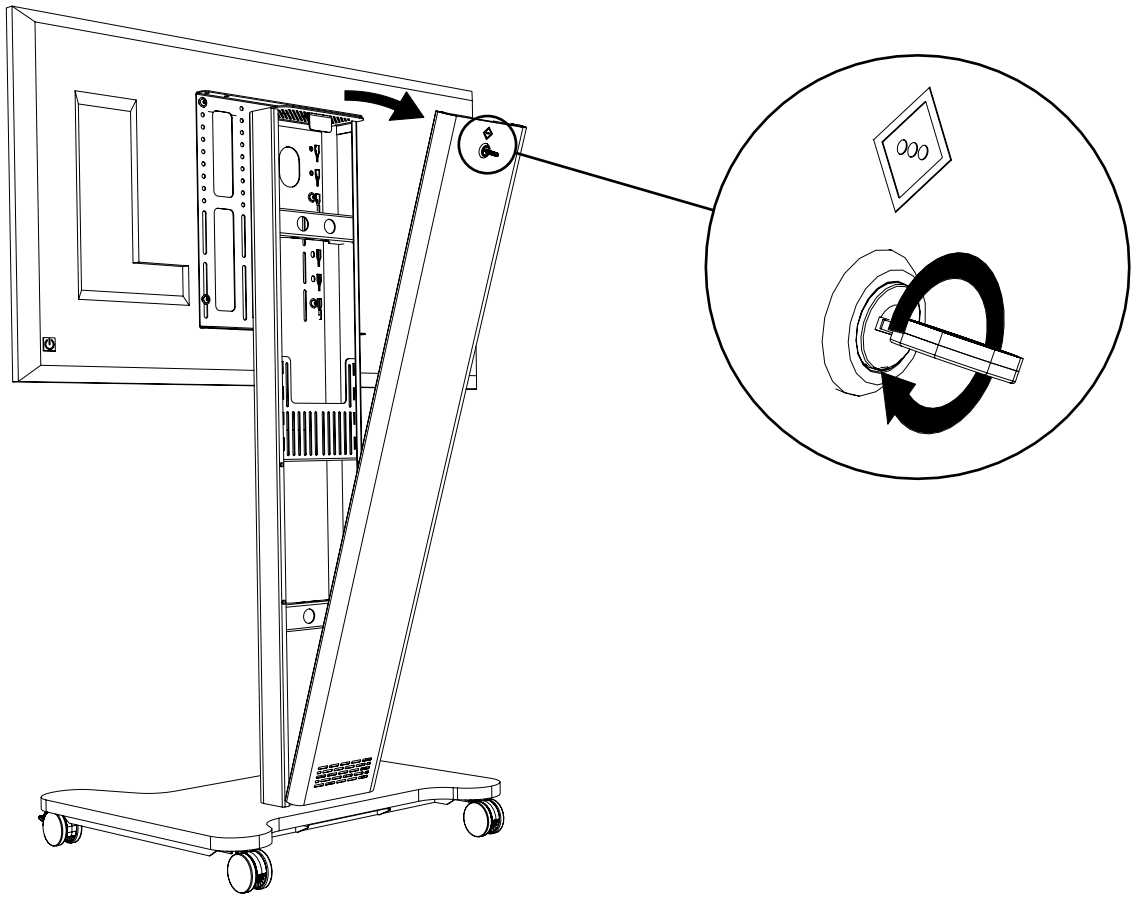
- Safe installation of electrical equipment is the responsibility of the installer.
- Colebrook Bosson Saunders recommends that only double-insulated electrical equipment and cables are installed in AV/VC Intro unit.

MAINTENANCE AND INSPECTION

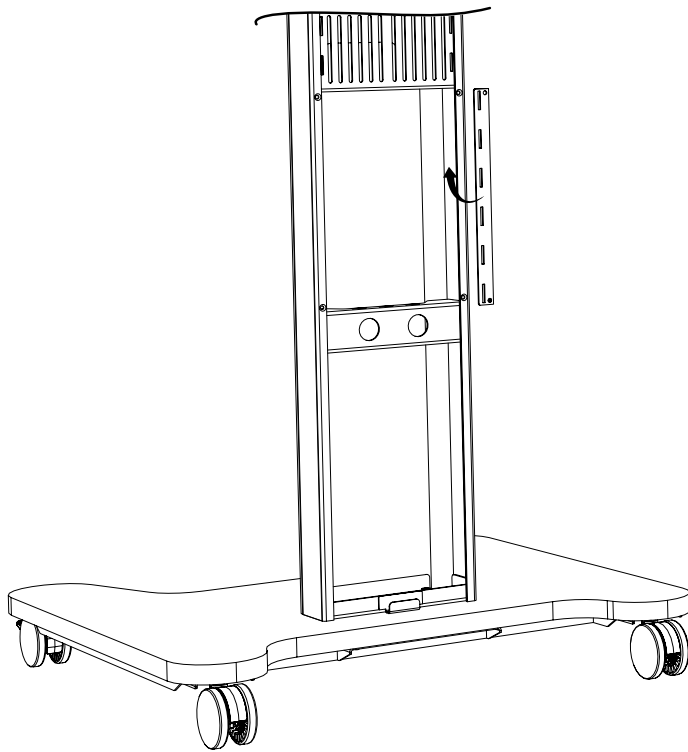
- Ensure all screws and fixings are fully tightened and occasionally re-tighten if necessary.
- Clean with a damp cloth. DO NOT use solvents.

DISCLAIMER

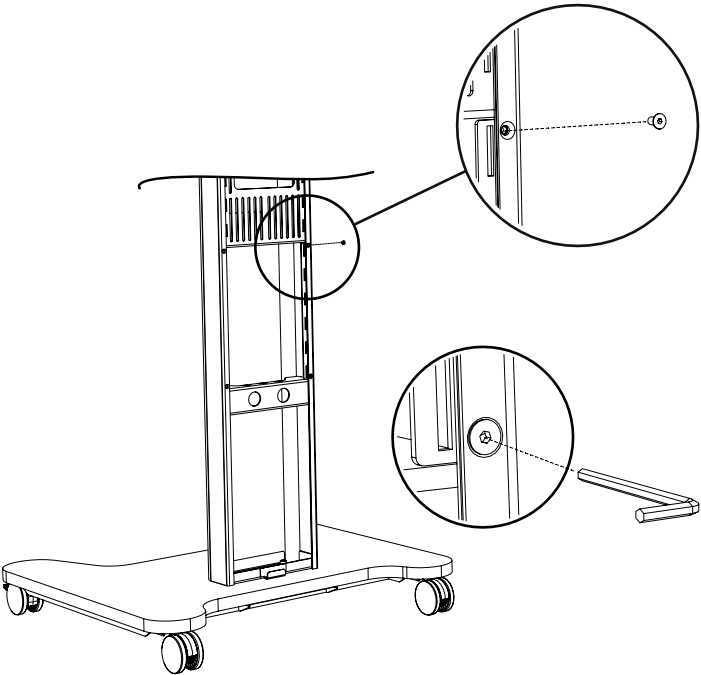
As part of Colebrook Bosson Saunders ongoing product improvement programme, the design of products may change without prior notice and details may vary from those illustrated.



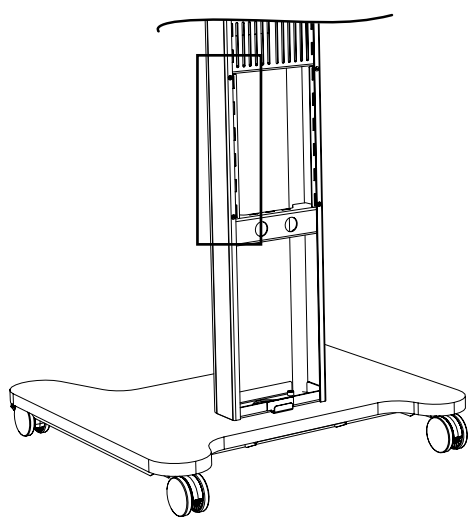
2.1 POSITION COLUMN BRACKET ON THE INSIDE OF THE COLUMN



2.2 FIX COLUMN BRACKETS TO COLUMN USING 2X M4 SCREWS

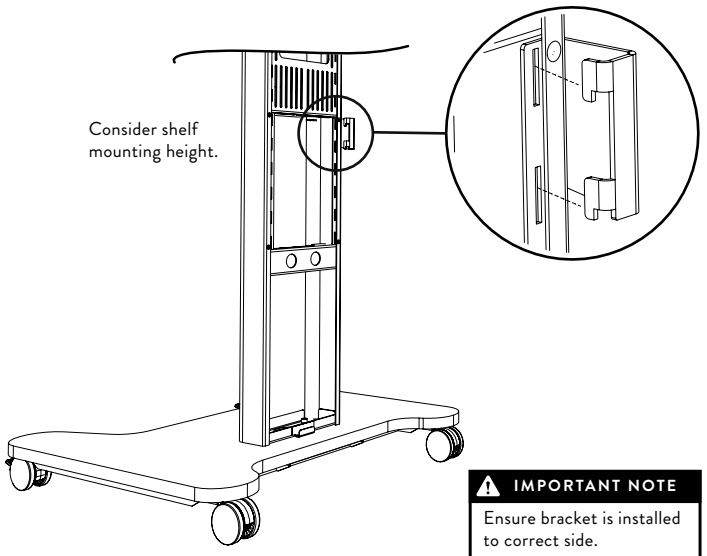
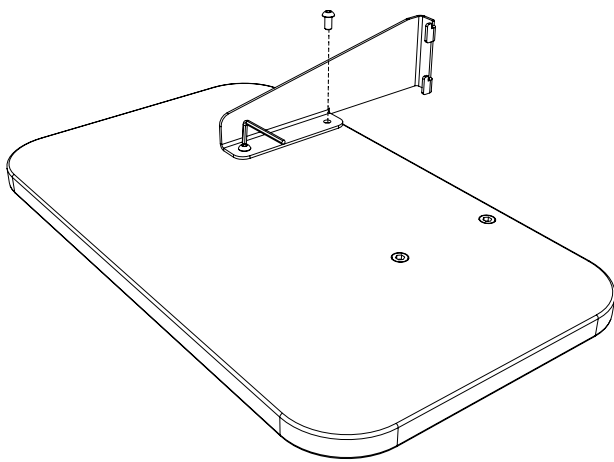


2.3 REPEAT INSTALLATION PROCESS FOR SECOND BRACKET



3.1 FIX BRACKET TO SHELF USING 2X M6 SCREWS

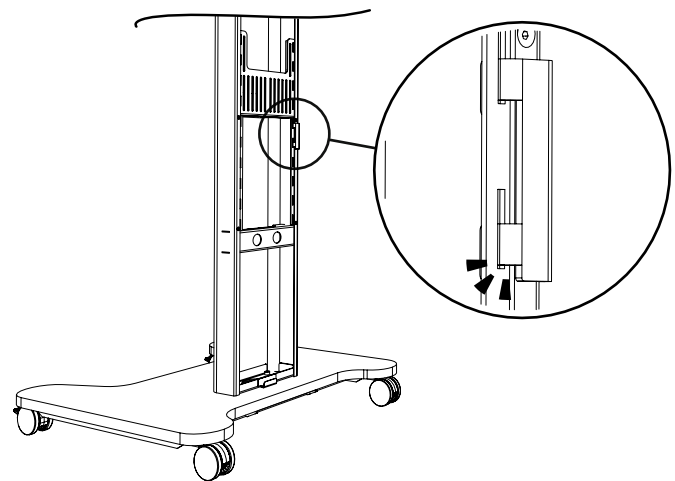
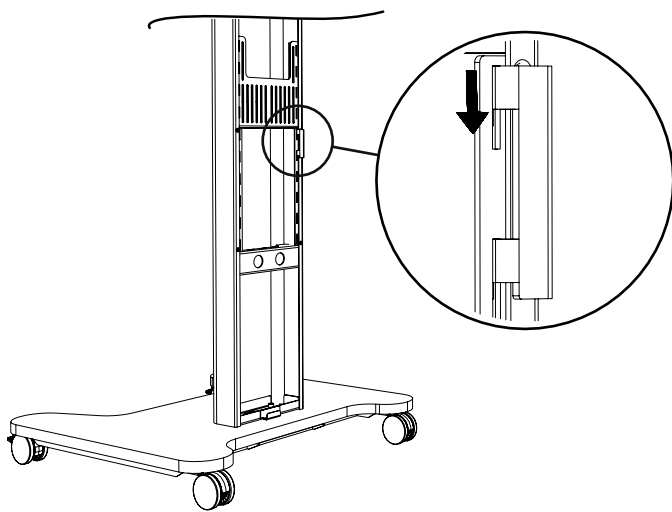
3.2 INSTALL SECOND BRACKET TO COLUMN



IMPORTANT NOTE
Ensure bracket is installed to correct side.

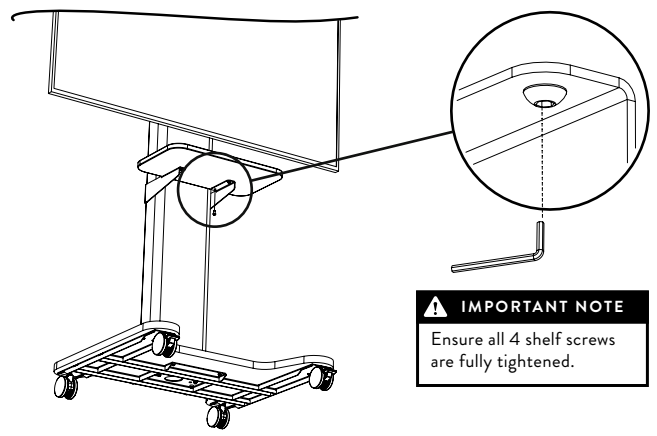
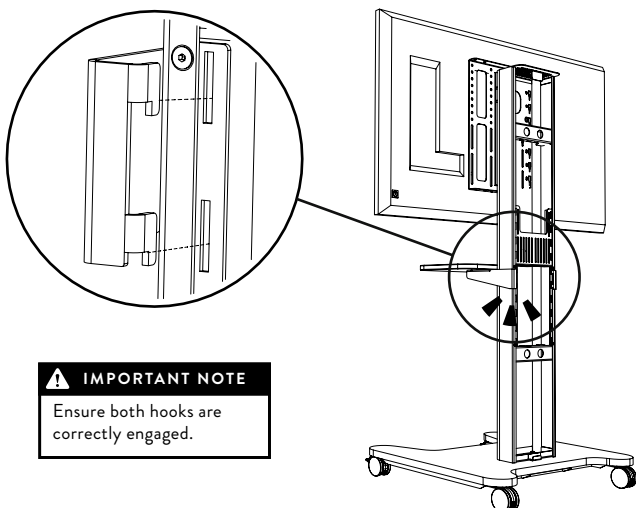
3.3 HOOK BRACKET ON TO COLUMN

3.4 HOOK BRACKET ON TO COLUMN

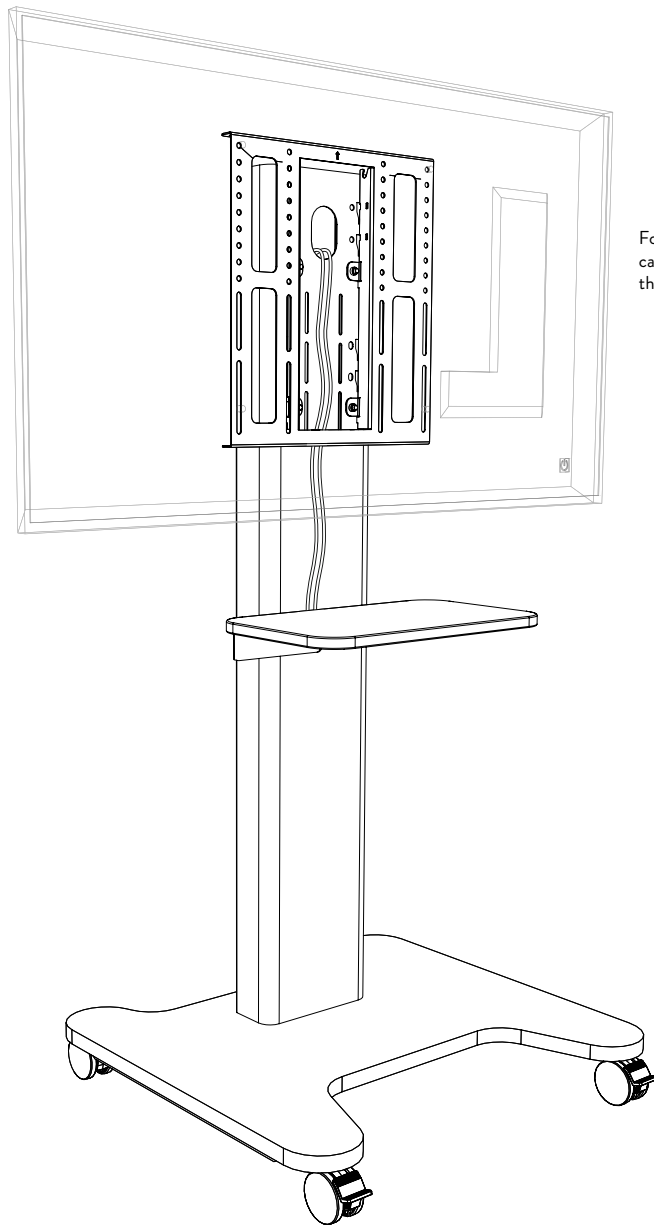


3.4 INSTALL SHELF TO COLUMN USING THE SAME 'HOOK ON' INSTALLATION METHOD

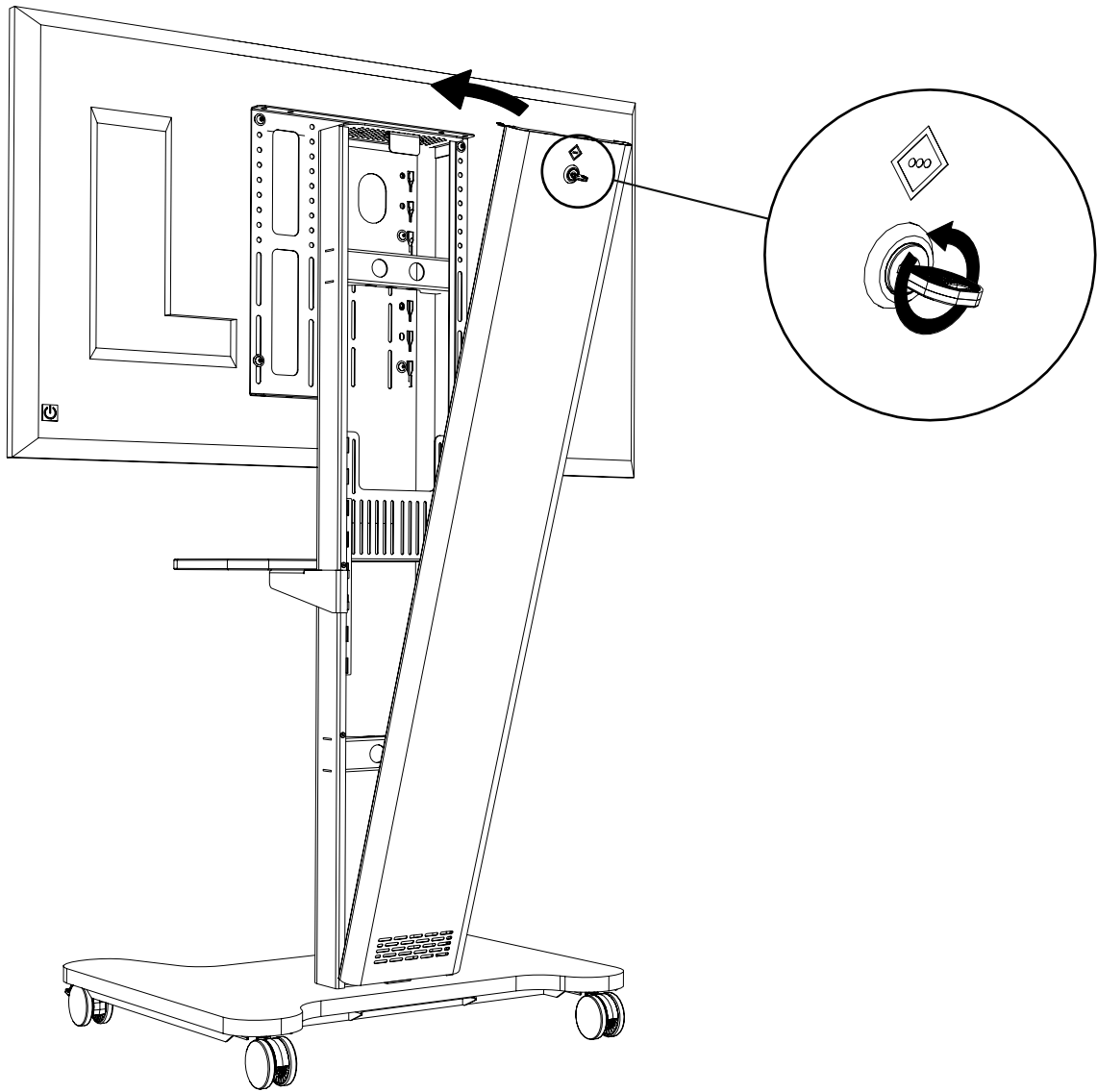
3.5 FIX THE SECOND BRACKET TO THE SHELF USING 2X M6 SCREWS



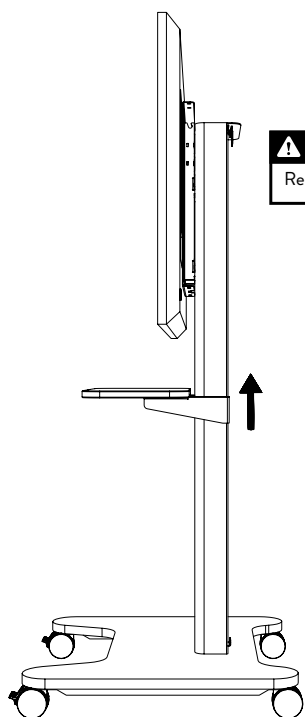
IMPORTANT NOTE
Ensure all 4 shelf screws are fully tightened.



For a tidy installation, feed equipment cables up behind screen mount and through the cable management hole.

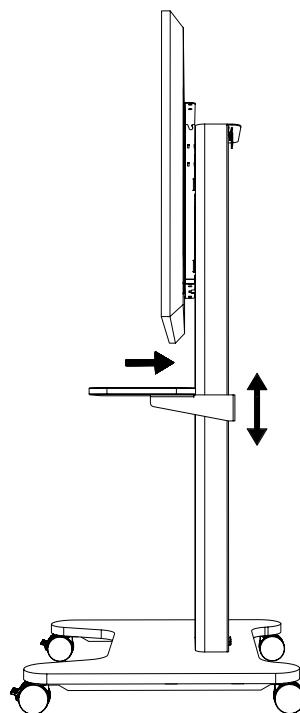


6.1 LIFT THE SHELF UPWARDS TO DISENGAGE THE HOOKS FROM THE COLUMN



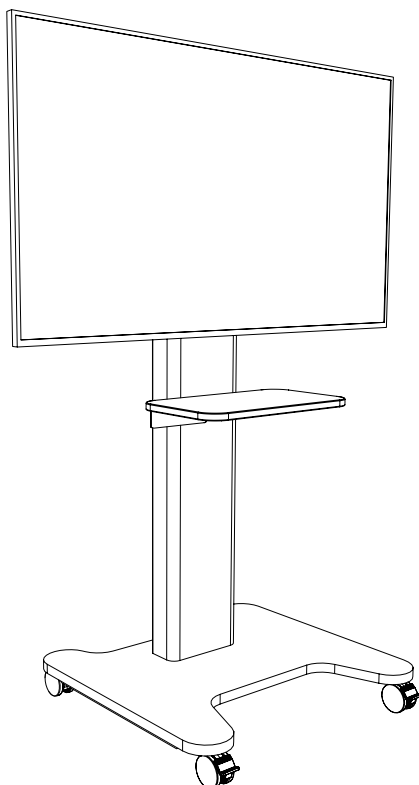
! IMPORTANT NOTE
Remember to remove back panel.

6.2 PUSH SHELF TOWARDS THE COLUMN AND RAISE OR LOWER SHELF TO THE REQUIRED HEIGHT AND INSTALL BACK ONTO COLUMN



! IMPORTANT NOTE
Ensure all 4 hooks are fully engaged before replacing back panel.

6.3 YOUR SHELF MOUNT INSTALL IS NOW COMPLETE



PLEASE CONSIDER LEAVING THESE INSTRUCTIONS WITH THE UNIT IF FURTHER INSTALLATION MAY BE REQUIRED BY OTHERS

