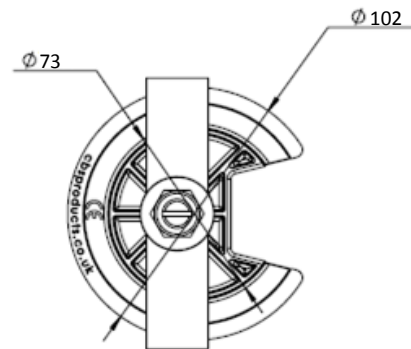
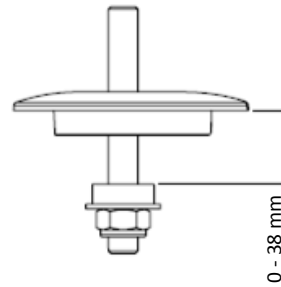
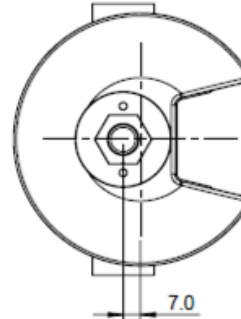
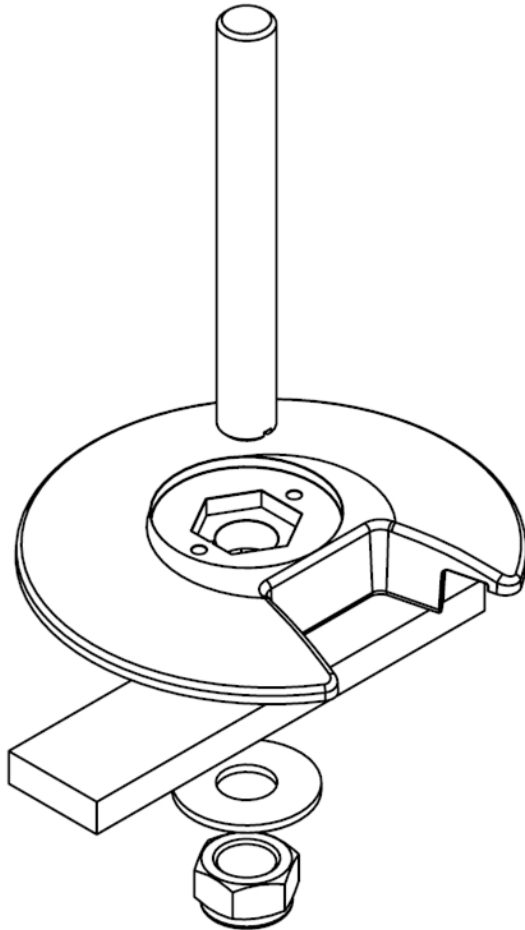


PRODUCT NAME: Universal Cast Grommet

PRODUCT CODE: UNI/CSG100/K

Doc Rev 1. 27.05.2015. CF



*Note that dimensions provided are measured in mm

KEY FEATURES

- Mounts arm post into standard cable grommet hole
- Rounded contours, will not damage cable
- Suitable for desk thickness of 0 – 38mm
- Suitable for standard 3" / 75mm diameter grommet hole

Product Classification	Brackets, Clamps & Fixings
Max load	N/A
Build level	#B
Recycled content	20%
Total product recyclable	100%

LOGISTICAL

Box contains	Grommet, stud, bar, nut
Product net weight:	0.55 kg
Box dims (HxWxD)	30 x 120 x 120 mm
Box gross weight	0.59 kg
Carton quantity	24
Master dims (HxWxD)	145 x 255 x 385 mm
Master weight	14.5 kg
Country of origin	China
Country of configuration	UK

ORDERING INFORMATION

<u>Colour</u>	<u>Product code</u>	<u>EAN</u>
Silver	UNI/CSG100/K/S	5060096226468

WARRANTY

Warranty Term	Limited lifetime
----------------------	------------------

COMPLIANCE & SAFETY CERTIFICATION

Whilst no mandatory standards apply to the monitor arm product sector, all Colebrook Bosson Saunders monitor arms have been designed with appropriate articulation features, dimensional range and adjustability to conform to the requirements of BS EN ISO 9241:5 1999 Ergonomic requirements for office work with visual display terminals (VDTs).

Conformance certification	N/A
Test authority	CBS
Safety certification	N/A

ENVIRONMENTAL

Material type	Material type Weight	% PIR of total weight	% PCR of total weight	% of total product recyclable
Aluminium Die Cast	0g	0%	0%	0%
Aluminium Extruded	0g	0%	0%	0%
Plastic	0g	0%	0%	0%
Rubber	0g	0%	0%	0%
Steel	262g	0%	11.97%	47.90%
Zinc	285g	0%	7.82%	52.10%
Total	547	10.42%	32.82%	100%

CLEANING, STORAGE & MAINTENANCE

Routine servicing	Periodic inspection
Service components	Available to order
Cleaning & Maintenance	Damp cloth, no abrasives, no solvents to be used on the cosmetic surfaces
Handling & Storage	Do not drop or expose to moisture

Colebrook Bosson Saunders (Products) Ltd accept no liability for the accuracy of the information contained herein and retain the right to modify the specifications or data contained herein without prior notification.