

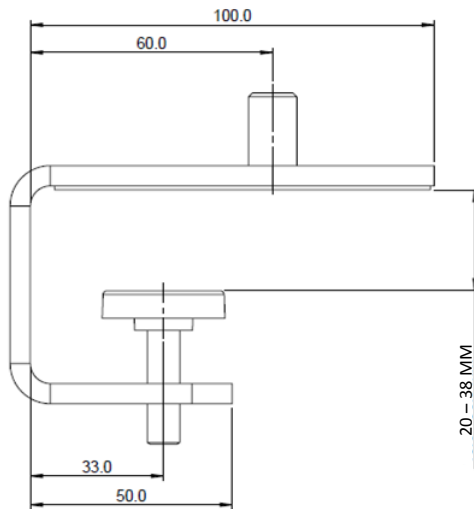
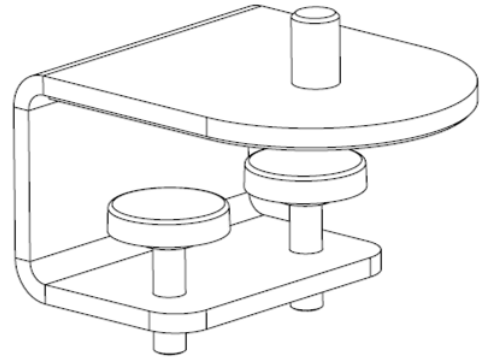
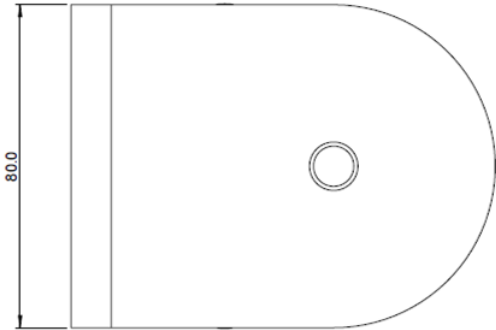


## TECHNICAL SPECIFICATION SHEET

**PRODUCT NAME:** Universal Desk Clamp

**PRODUCT CODE:** UNI/LCLM38

Doc Rev 1. 20.04.2015. CF



\*Note that dimensions provided are measured in mm

### KEY FEATURES

- Mounts WSH post system to work surface
- Soft pad protects work surface from damage
- Clamp pads ensure secure grip without damaging underside of worktop
- Suitable for desk range of 20 – 38mm

<b>Product Classification</b>	Brackets, Clamps & Fixings
<b>Max load</b>	N/A
<b>Build level</b>	N/A
<b>Recycled content</b>	25%
<b>Total product recyclable</b>	100%

## LOGISTICAL

---

<b>Box contains</b>	Clamp, clamp screws, clamp pads, allen key
<b>Product net weight:</b>	0.65 kg
<b>Box dims (HxWxD)</b>	135 x 95 x 95 mm
<b>Box gross weight</b>	0.7 kg
<b>Carton quantity</b>	20
<b>Master dims (HxWxD)</b>	505 x 220 x 285 mm
<b>Master weight</b>	15.3 kg
<b>Country of origin</b>	China
<b>Country of configuration</b>	UK

## ORDERING INFORMATION

---

<b><u>Colour</u></b>	<b><u>Product code</u></b>	<b><u>EAN</u></b>
Silver	UNI/LCLM38/S	5060096220770

## WARRANTY

---

<b>Warranty Term</b>	Limited lifetime
----------------------	------------------

## COMPLIANCE & SAFETY CERTIFICATION

---

Whilst no mandatory standards apply to the monitor arm product sector, all Colebrook Bosson Saunders monitor arms have been designed with appropriate articulation features, dimensional range and adjustability to conform to the requirements of BS EN ISO 9241:5 1999 Ergonomic requirements for office work with visual display terminals (VDTs).

<b>Conformance certification</b>	N/A
<b>Test authority</b>	CBS
<b>Safety certification</b>	N/A

## ENVIRONMENTAL

---

<b>Material type</b>	<b>Material type Weight</b>	<b>% PIR of total weight</b>	<b>% PCR of total weight</b>	<b>% of total product recyclable</b>
Aluminium Die Cast	21g	0.63%	1.26%	3.15%
Aluminium Extruded	0g	0%	0%	0%
Plastic	0g	0%	0%	0%
Rubber	5g	0%	0%	0.75%
Steel	640g	0%	24.02%	96.10%
Other	0g	0%	0%	0%
<b>Total</b>	<b>666</b>	<b>0.63%</b>	<b>25.29%</b>	<b>100.00%</b>

## CLEANING, STORAGE & MAINTENANCE

---

<b>Routine servicing</b>	Periodic inspection
<b>Service components</b>	Available to order
<b>Cleaning &amp; Maintenance</b>	Damp cloth, no abrasives, no solvents to be used on the cosmetic surfaces
<b>Handling &amp; Storage</b>	Do not drop or expose to moisture

---

Colebrook Bosson Saunders (Products) Ltd accept no liability for the accuracy of the information contained herein and retain the right to modify the specifications or data contained herein without prior notification.