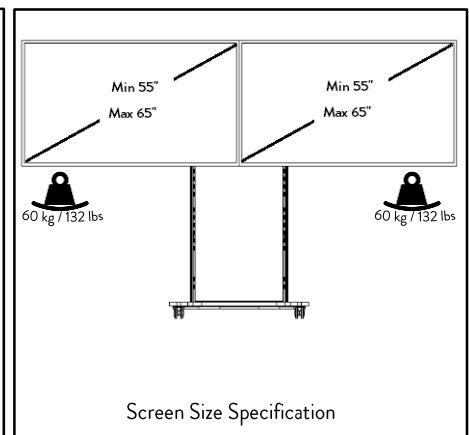
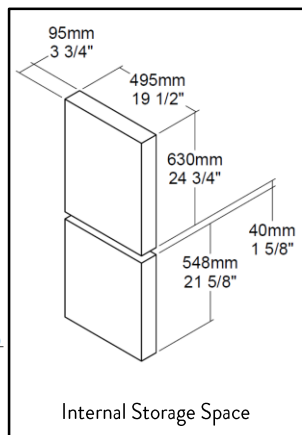
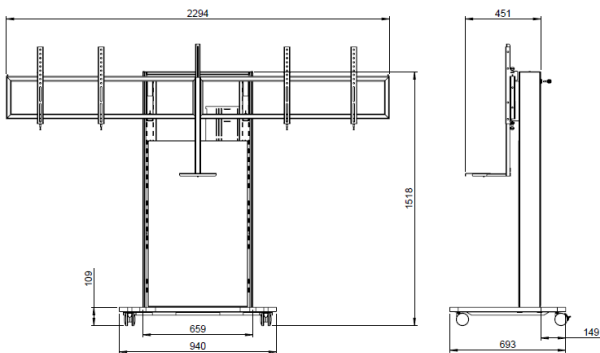
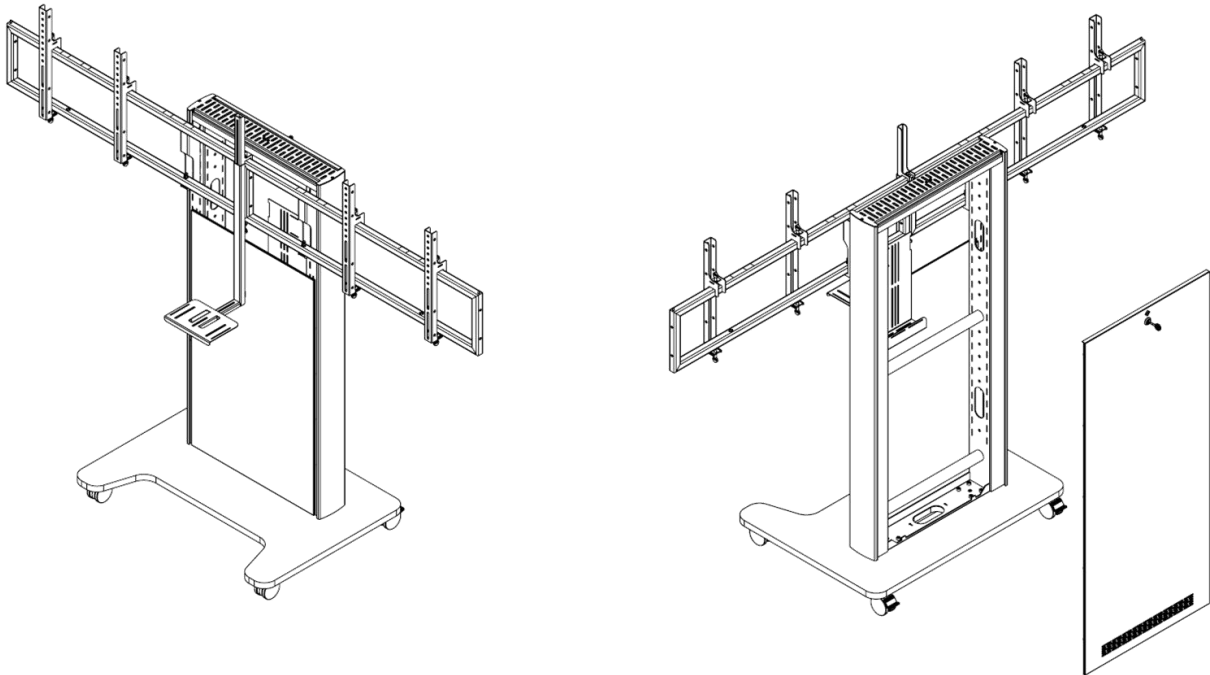




Product Configuration Sheet

AV/VC One – Dual Screen VC Configuration

Doc Rev 1. 24.05.2016.



*Note that dimensions provided are measured in mm

KEY FEATURES

- Suitable for mounting large format display screens from 55" to 65" in screen size / max weight 60kg per screen
- Fine height adjustment for perfect dual screen alignment
- Column designed for cable management and storing equipment securely with lockable back panel
- Hooking system to permit quick and easy mounting of core parts and accessories
- Ventilation and cable management features throughout
- Low profile base includes a cut out at the front to allow easy access for touch screen use
- Lockable castors
- Camera mount can be positioned above or below screen with a range of adjustability
- Codec mount can be positioned at a range of heights

ORDERING INFORMATION

In order to achieve the AV/VC One – Dual Screen VC configuration please order the below parts

Product Description

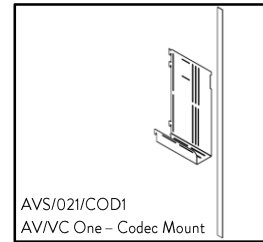
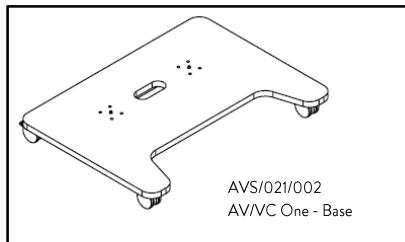
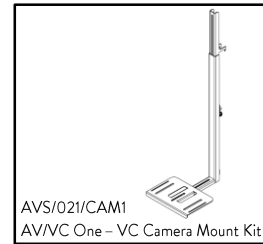
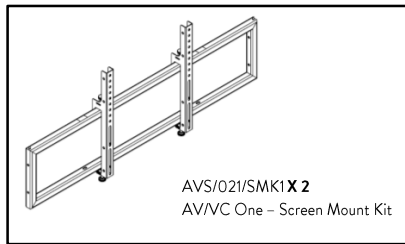
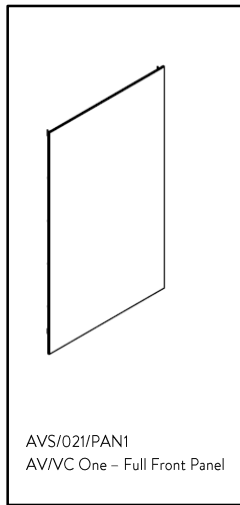
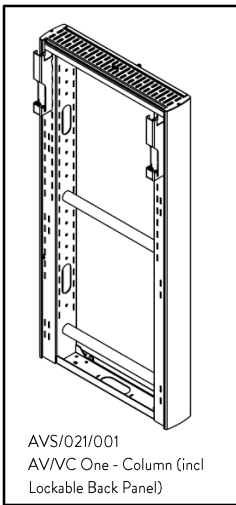
AV/VC One Column incl Back Panel
 AV/VC One Screen Mount Kit **x2**
 AV/VC One Base
 AV/VC One Full Front Panel
 AV/VC One Camera Mount
 AV/VC One Codec Mount

Product code

AVS/021/001
 AVS/021/SMK
 AVS/021/002
 AVS/021/PAN1
 AVS/021/CAM1
 AVS/021/COD1

Colour

:/W White or :/B Black
 :/W White or :/B Black
 :/W White or :/B Black
 :/W White or :/B Black
 :/W White or :/B Black
 :/B Black



Additional accessories available

WARRANTY

Warranty Term Limited lifetime

COMPLIANCE & SAFETY CERTIFICATION

Whilst no mandatory standards apply to the AV/VC accessory product sector, this product is tested to CBS's own standard which is based on UL 1678, (Tall display stands in public spaces, excluding hospitals, schools or similar environments where children, people with diminished capacity or disabilities are likely to move

Conformance certification N/A
Test authority CBS
Safety certification N/A

CLEANING, STORAGE & MAINTENANCE

Routine servicing	Periodic inspection
Service components	Available to order
Cleaning & Maintenance	Damp cloth, no abrasives, no solvents to be used on the cosmetic surfaces
Handling & Storage	Do not drop or expose to moisture

Colebrook Bosson Saunders (Products) Ltd accept no liability for the accuracy of the information contained herein and retain the right to modify the specifications or data contained herein without prior notification.

For any further information please refer to the individual specification sheets