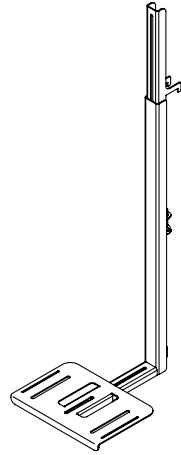




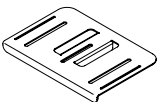

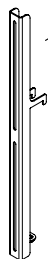


Installation Instructions for AV/VC One Camera Mount

AVS/021/CAM1



REFER ALSO TO MAIN
INSTRUCTIONS FOR AV/VC
ONE STAND INSTALLATION



PARTS INCLUDED:		AVS/021/CAM1	
 Camera platform	 Mount structure (sliding)	 Mount structure (fixed)	 Clamp screw
			 Fixing nut (x3)

⚠ WARNING

- Do not install equipment heavier than 6kg/13.2lb.
- Use with products heavier than the maximum weights indicated may result in instability causing possible injury.
- Correct installation is essential to safe and reliable operation of the AV/VC One product and falls outside the scope of responsibility of Colebrook Bosson Saunders. Please follow assembly instructions carefully.
- Do not use this product for any purpose other than that for which it was designed.
- Ensure that floor or wall surface is strong enough to support the weight of the fully-loaded AV/VC One and that the floor surface is flat and level.
- Do not install AV/VC One outdoors or in environments where it will be directly exposed to moisture or highwinds.
- Follow the manufacturer's guidance for mounting of monitors, displays and other equipment.
- Please take care to avoid trapping fingers when installing or adjusting the product.

⚠ ELECTRICAL SAFETY

- Safe installation of electrical equipment is the responsibility of the installer.
- Colebrook Bosson Saunders recommends that only double-insulated electrical equipment and cables are installed in AV/VC One unit.

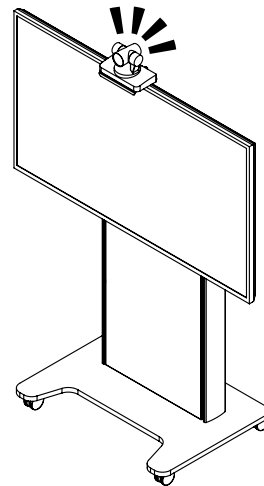
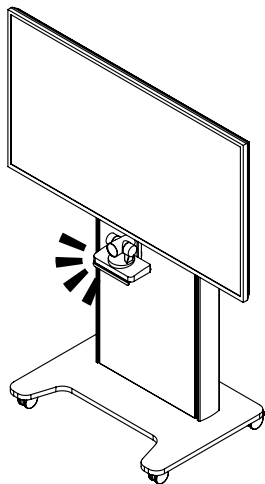
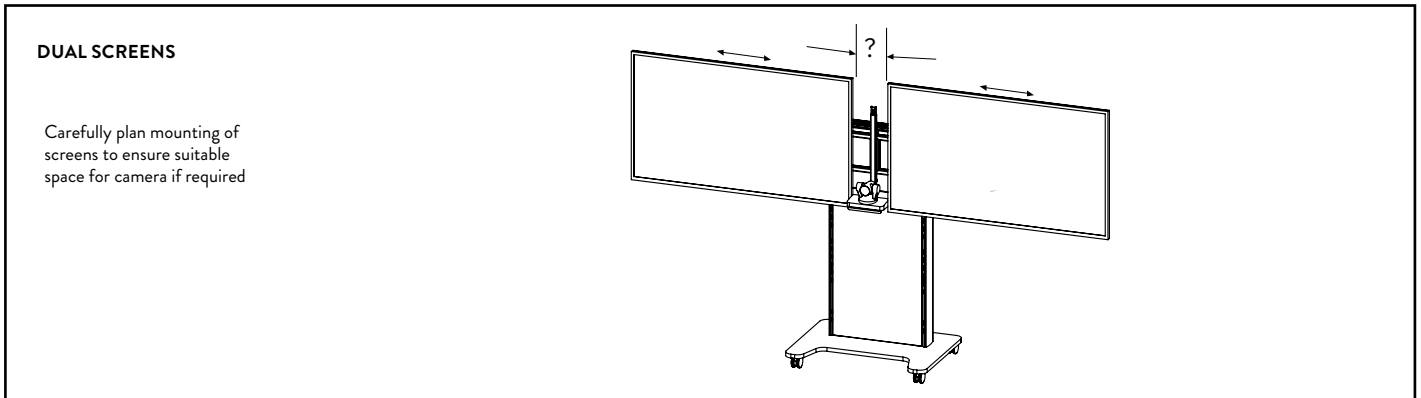
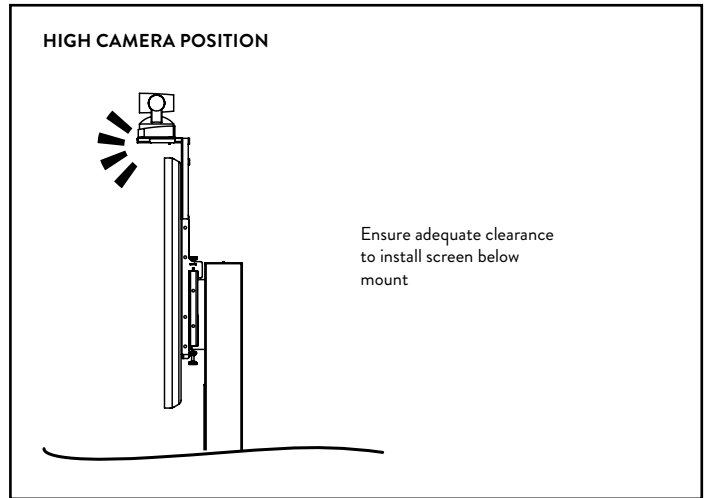
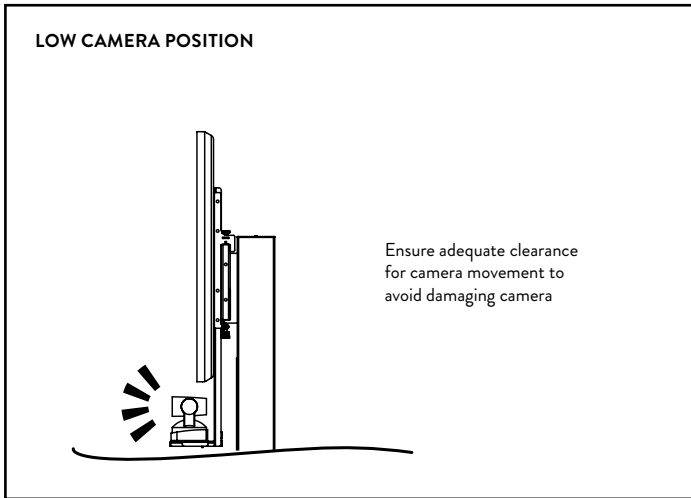
⚠ MAINTENANCE AND INSPECTION

- Ensure all screws and fixings are fully tightened and occasionally re-tighten if necessary.
- Clean with a dampcloth. DO NOT use solvents.

⚠ DISCLAIMER

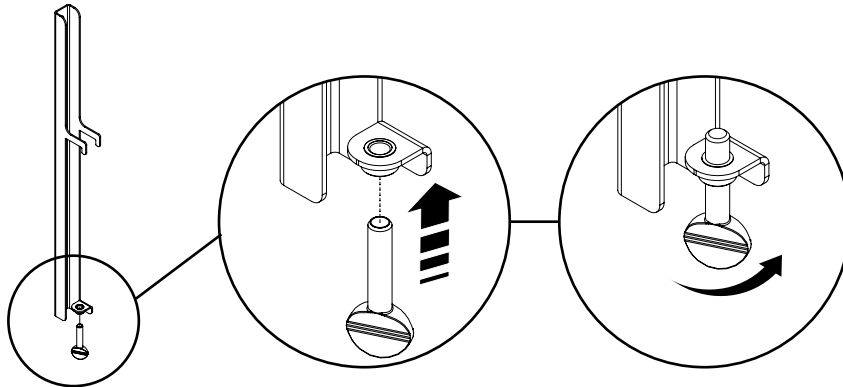
As part of Colebrook Bosson Saunders ongoing product improvement programme, the design of products may change without prior notice and details may vary from those illustrated.

CONSIDER YOUR CAMERA POSITION AND SCREEN SIZE





2.1 ASSEMBLE CLAMP SCREW INTO STRUCTURE

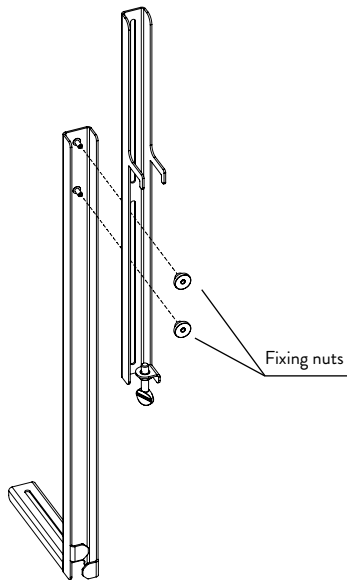


2.2 ASSEMBLE MOUNT STRUCTURE

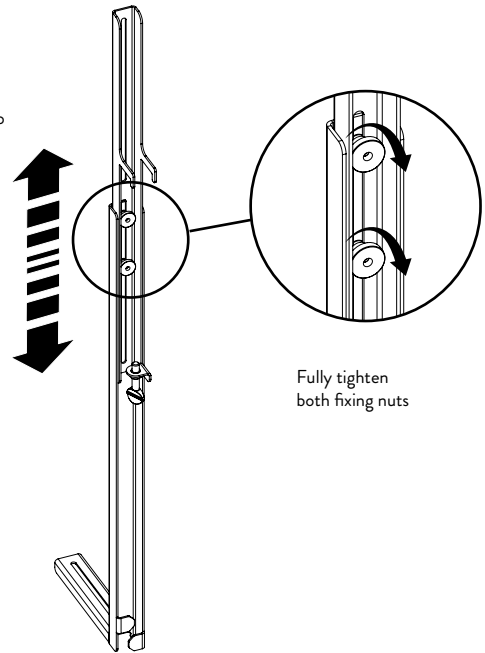
2.3 ADJUST LENGTH AND FIX

IMPORTANT NOTE

Choose fixing slots according to desired mount length

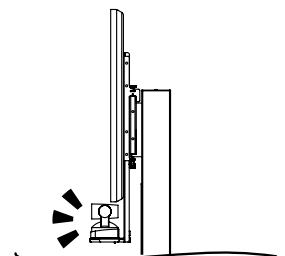
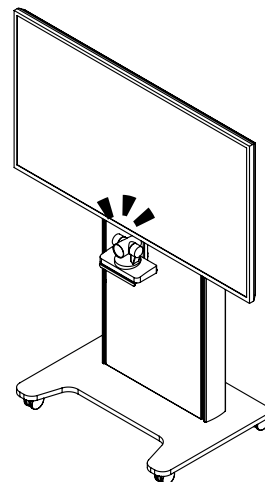


Slide structure to desired length

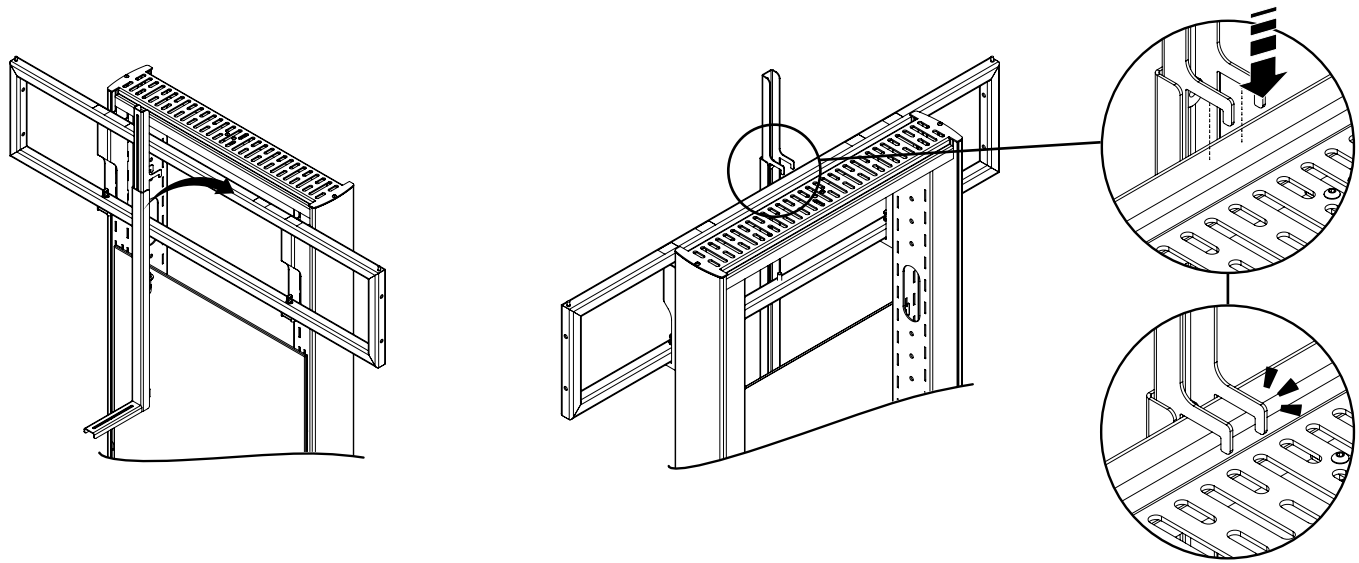


IMPORTANT NOTE

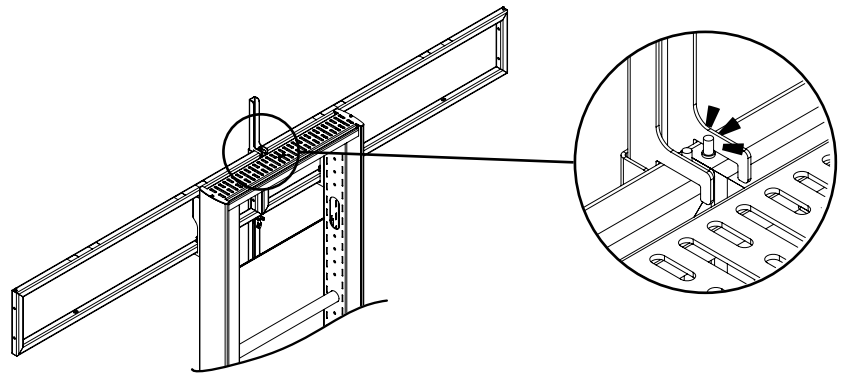
When setting length of structure ensure that there is sufficient space for camera movement with your chosen screen size



3.1 INSTALL CAMERA MOUNT TO SCREEN FRAME

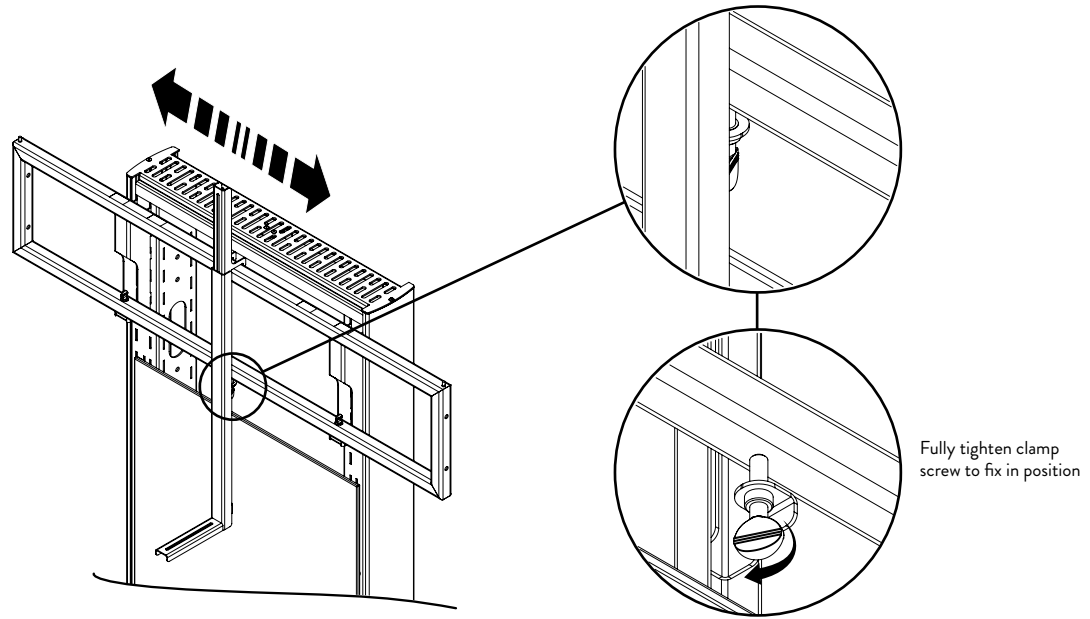


IMPORTANT NOTE
For dual screen configurations ensure the camera mount locates around end pins on screen frames



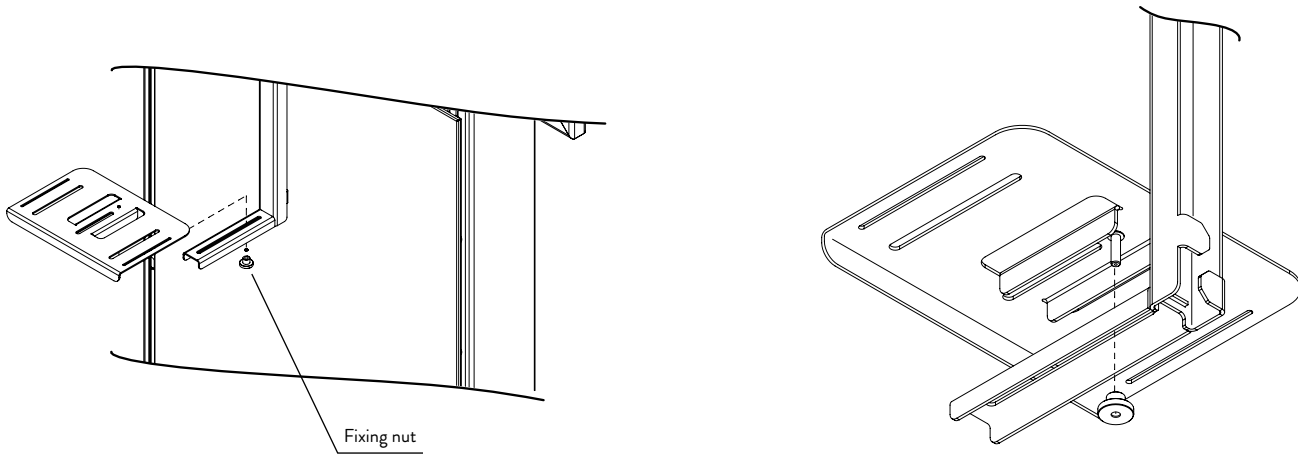
3.2 ADJUST POSITION AND FIX

Adjust camera position as required



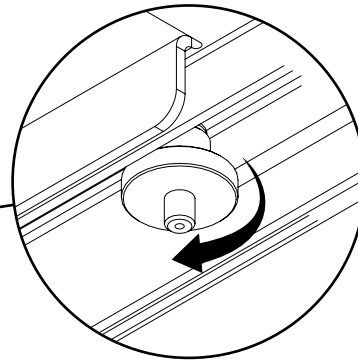
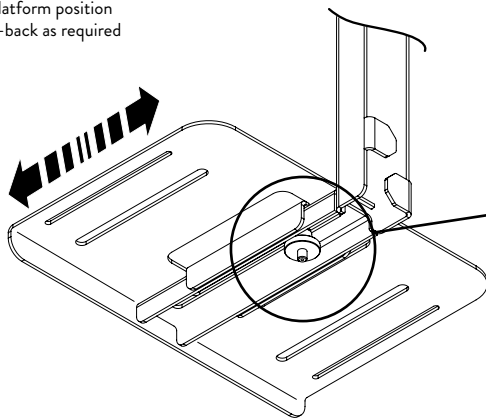
Fully tighten clamp screw to fix in position

4.1 INSTALL CAMERA PLATFORM



4.2 ADJUST PLATFORM POSITION AND FIX

Adjust platform position front-to-back as required

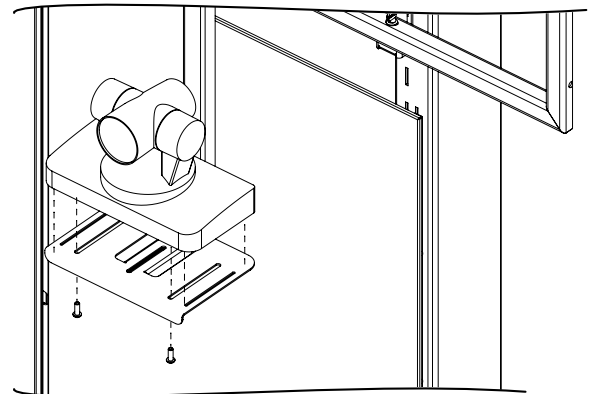
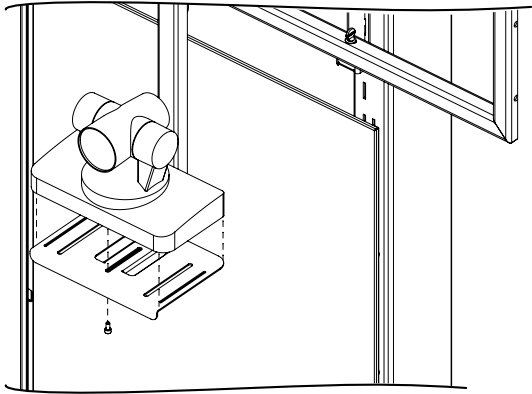


Fully tighten fixing nut to fix in position

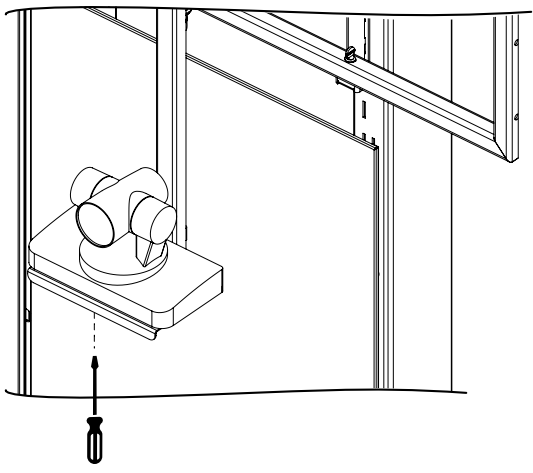
5.1 FIX CAMERA TO PLATFORM

Use screws and fixing slots suitable for your chosen camera (screws not supplied)

IMPORTANT NOTE
Option: You may consider installing the screen before mounting the camera (to reduce the chance of damage to the camera). In this case it may be useful to install camera cabling first

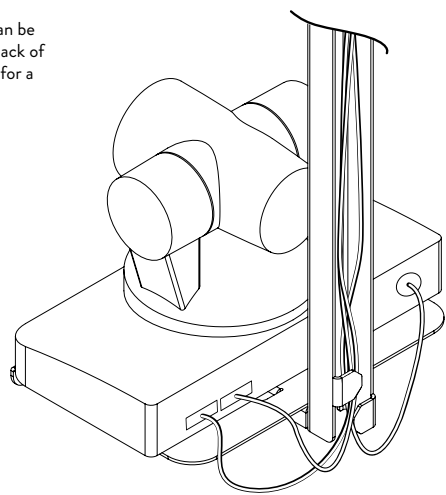


5.2 FULLY TIGHTEN FIXING SCREW(S)



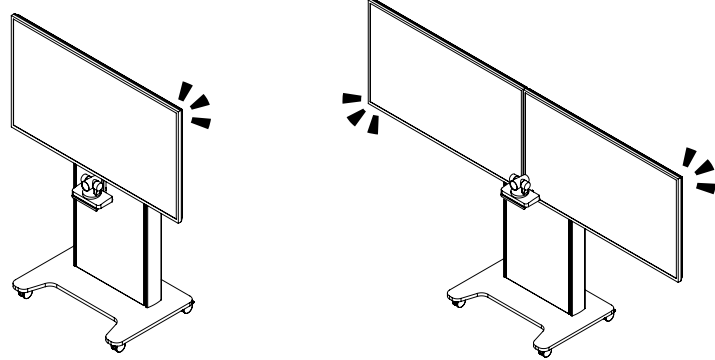
5.3 CABLE MANAGEMENT

Camera cables can be routed through back of mount structure for a tidy installation



INSTALLATION IS NOW COMPLETE

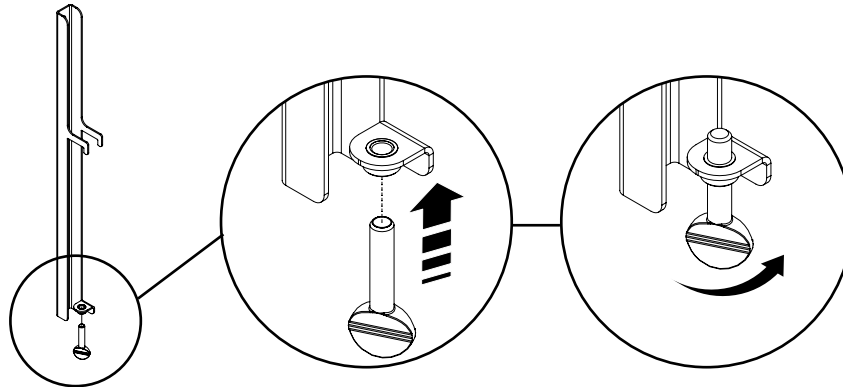
SCREEN(S) CAN NOW BE MOUNTED



PLEASE CONSIDER LEAVING THESE INSTRUCTIONS WITH THE UNIT IF FURTHER INSTALLATION MAY BE REQUIRED BY OTHERS



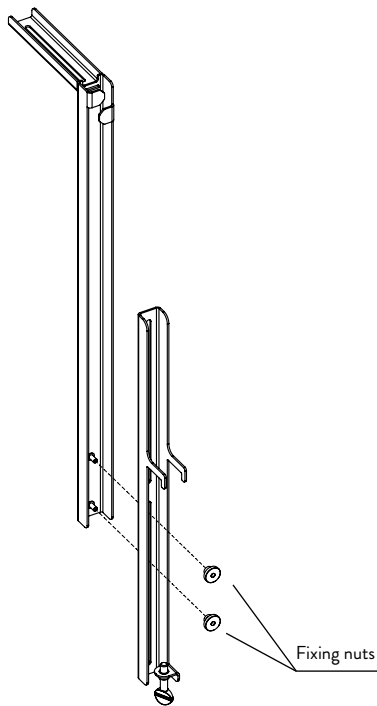
6.1 ASSEMBLE CLAMP SCREW INTO STRUCTURE



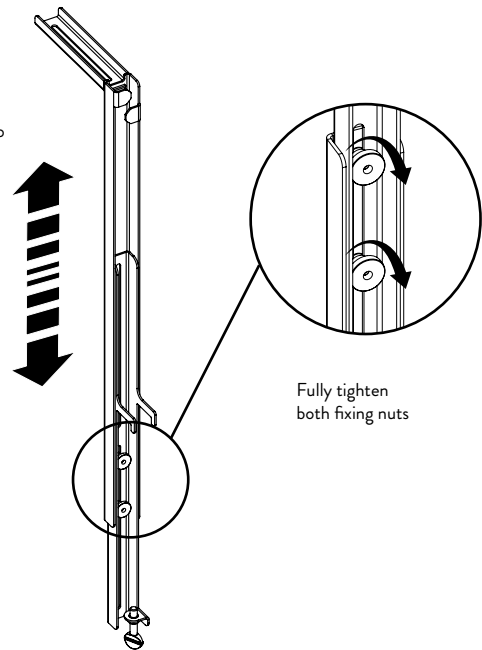
6.2 ASSEMBLE MOUNT STRUCTURE

6.3 ADJUST LENGTH AND FIX

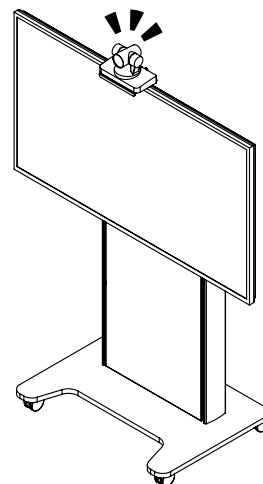
IMPORTANT NOTE
Choose fixing slots according to desired mount length



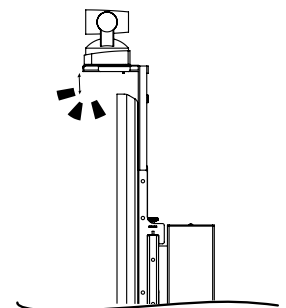
Slide structure to desired length



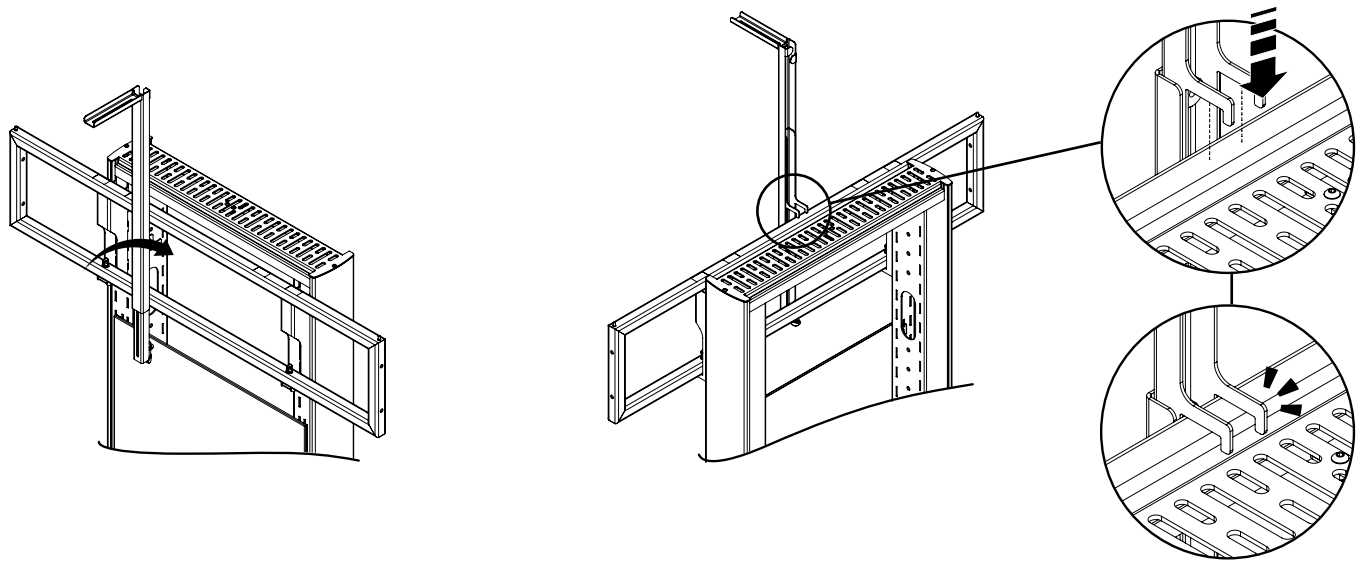
Fully tighten both fixing nuts



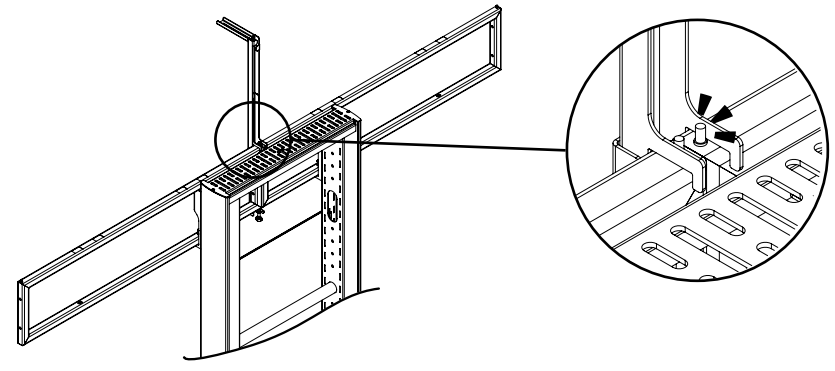
IMPORTANT NOTE
When setting length of structure ensure that there is enough clearance beneath camera mount to install the screen



7.1 ASSEMBLE CLAMP SCREW INTO STRUCTURE

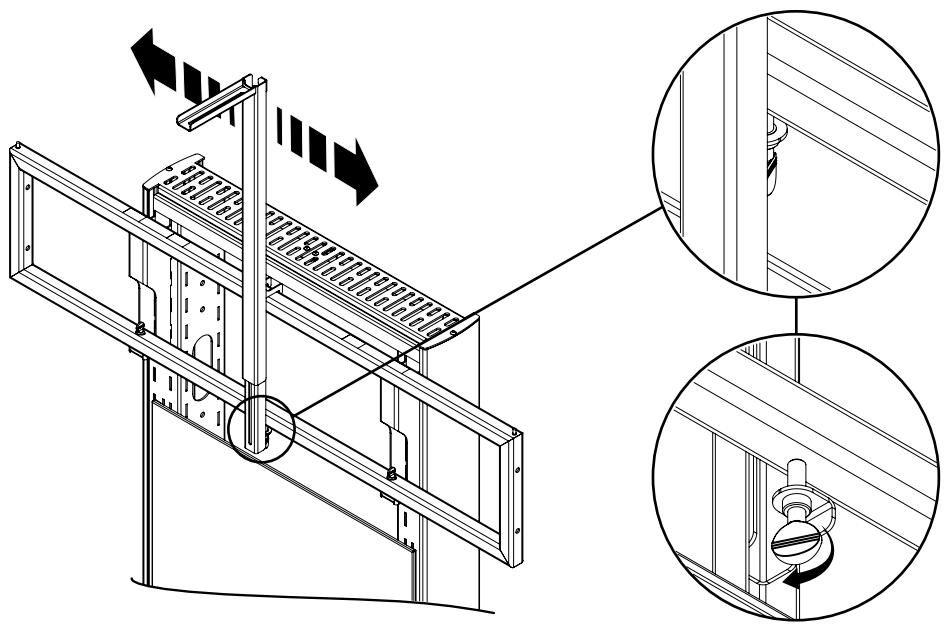


IMPORTANT NOTE
For dual screen configurations ensure the camera mount locates around end pins on screen frames



7.2 ADJUST POSITION AND FIX

Adjust camera position as required

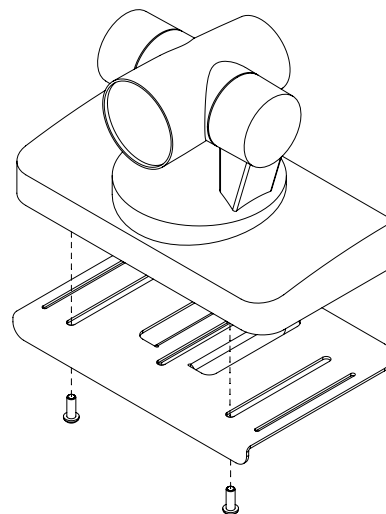
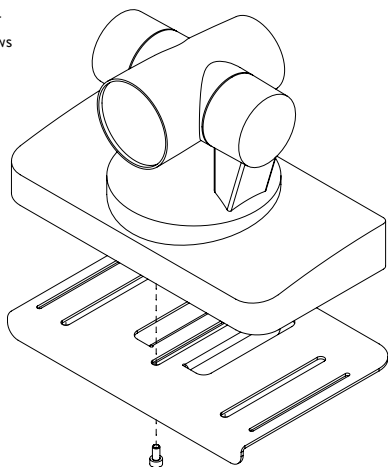


Fully tighten clamp screw to fix in position

8.1

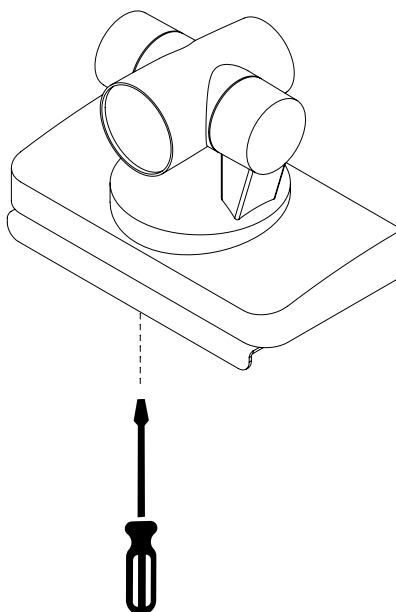
FIX CAMERA TO PLATFORM

Use screws and fixing slots suitable for your chosen camera (screws not supplied)

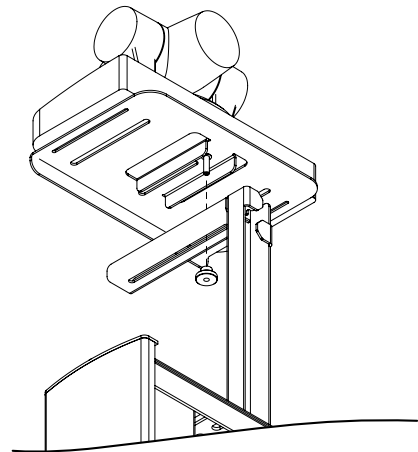
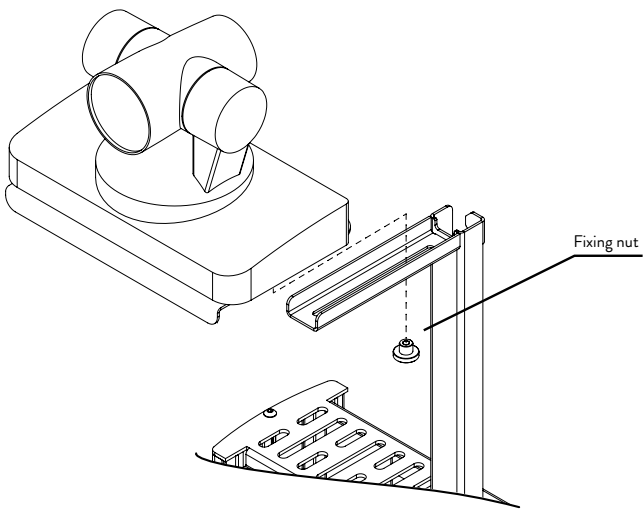


8.2

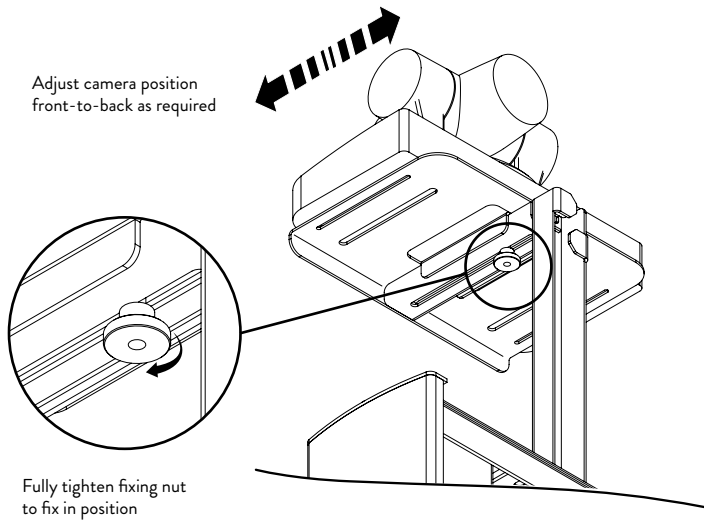
FULLY TIGHTEN FIXING SCREW(S)



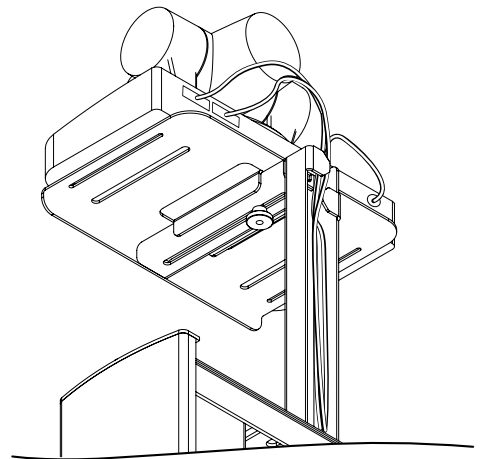
9.1 INSTALL CAMERA



9.2 ADJUST CAMERA POSITION AND FIX 9.3 CABLE MANAGEMENT



Camera cables can be routed through back of mount structure for a tidy installation



INSTALLATION IS NOW COMPLETE

