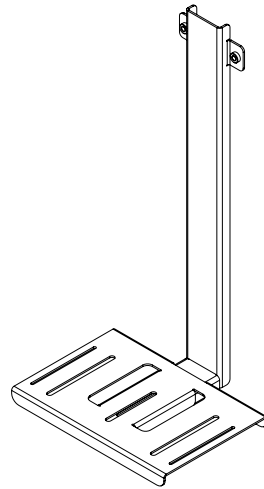



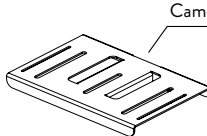


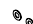




Installation Instructions for AV/VC Intro Camera Mount

AVS/031/CAM1



REFER ALSO TO MAIN INSTRUCTIONS FOR AV/VC INTRO STAND INSTALLATION 

PARTS INCLUDED:	AVS/021/CAM1
 <p>Camera platform</p>	 <p>Camera bar</p> <ul style="list-style-type: none"> M6 Screws x2 M6 Washers x2 M5 Washer x1 Thumb screw

WARNING

- Do not install equipment heavier than 6kg/13.2lb.
- Use with products heavier than the maximum weights indicated may result in instability causing possible injury.
- Correct installation is essential to safe and reliable operation of the AV/VC Intro product and falls outside the scope of responsibility of Colebrook Bosson Saunders. Please follow assembly instructions carefully.
- Do not use this product for any purpose other than that for which it was designed.
- Ensure that floor or wall surface is strong enough to support the weight of the fully-loaded AV/VC Intro and that the floor surface is flat and level.
- Do not install AV/VC Intro outdoors or in environments where it will be directly exposed to moisture or high winds.
- Follow the manufacturer's guidance for mounting of monitors, displays and other equipment.
- Please take care to avoid trapping fingers when installing or adjusting the product.

ELECTRICAL SAFETY

- Safe installation of electrical equipment is the responsibility of the installer.
- Colebrook Bosson Saunders recommends that only double-insulated electrical equipment and cables are installed in AV/VC Intro unit.

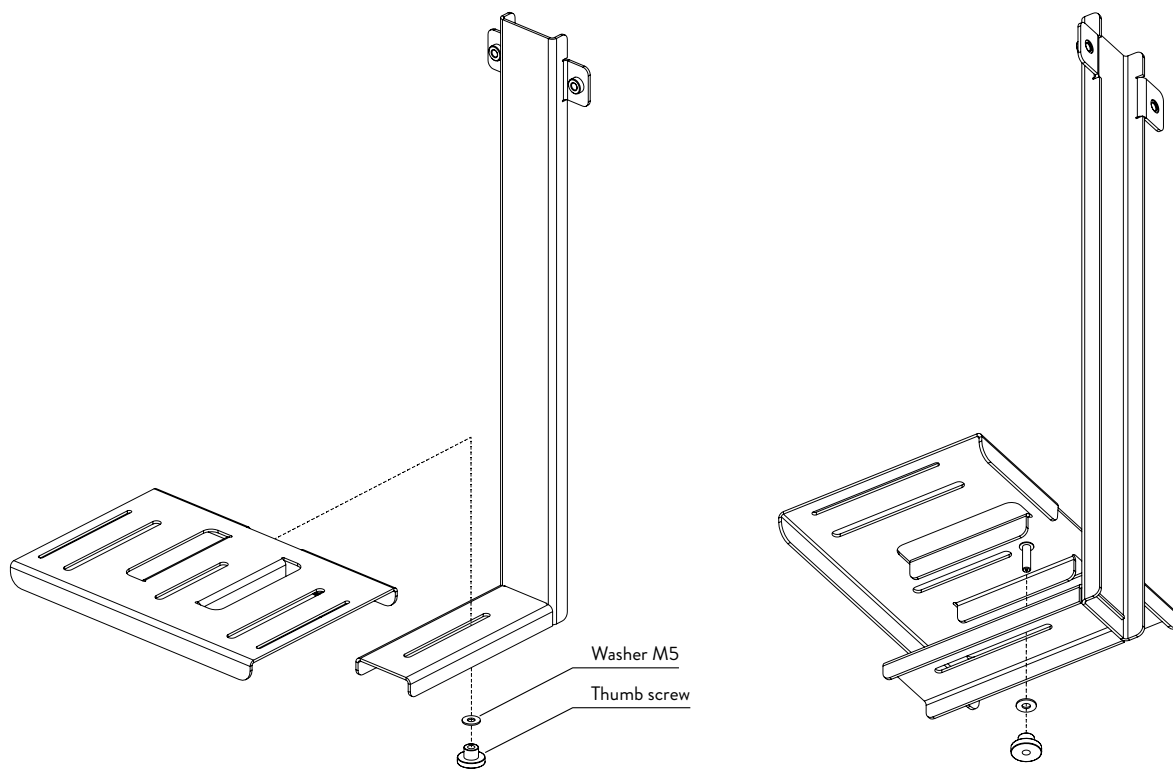
MAINTENANCE AND INSPECTION

- Ensure all screws and fixings are fully tightened and occasionally re-tighten if necessary.
- Clean with a damp cloth. DO NOT use solvents.

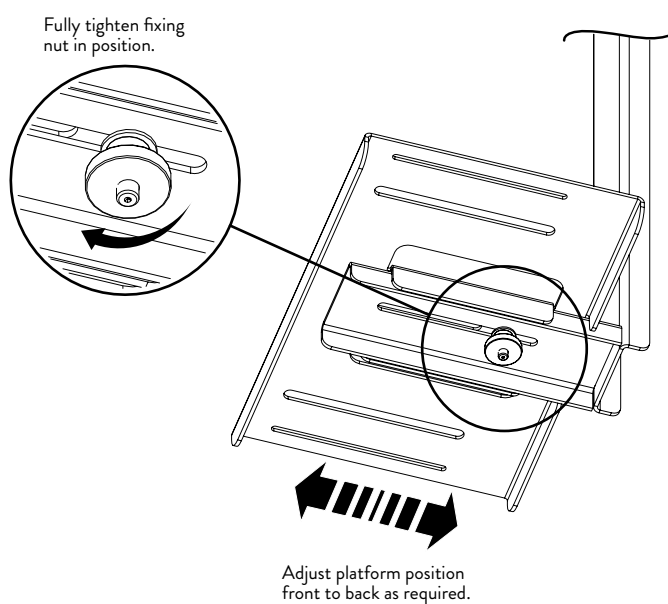
DISCLAIMER

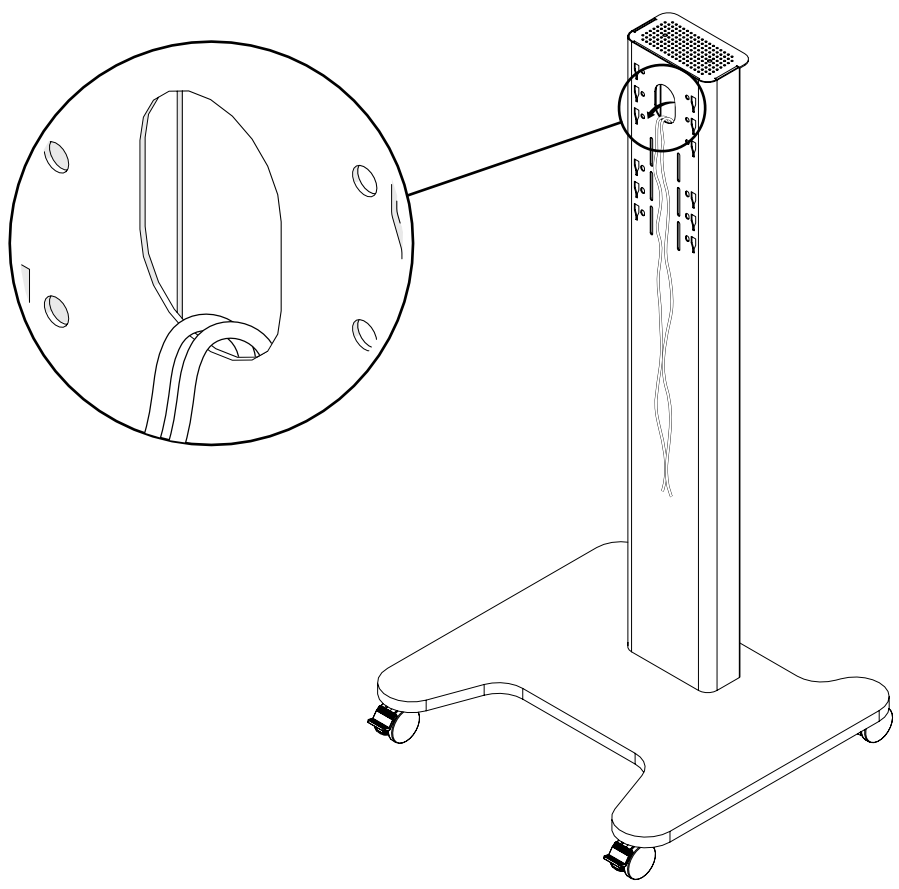
As part of Colebrook Bosson Saunders ongoing product improvement programme, the design of products may change without prior notice and details may vary from those illustrated.

1.1 INSTALL CAMERA PLATFORM

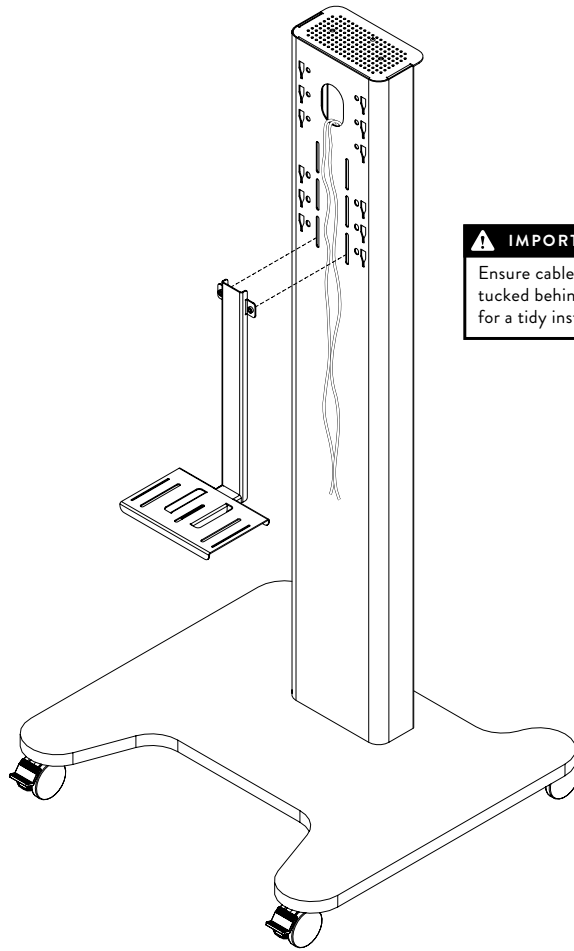


1.2 ADJUST PLATFORM POSITION AND FIX



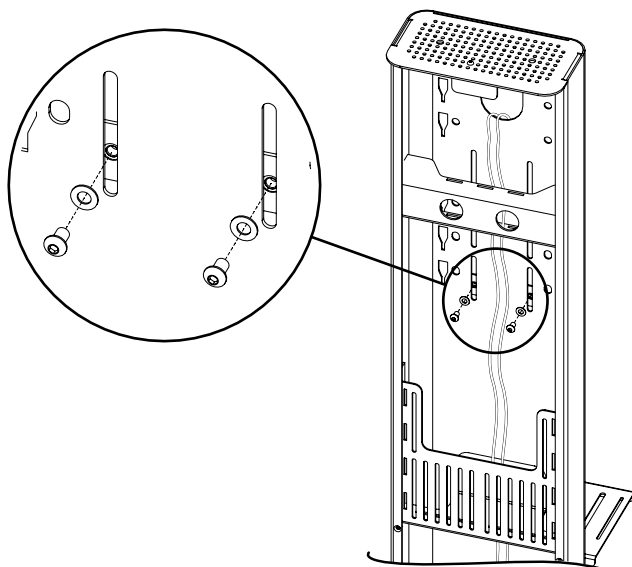


3.1 INSTALL CAMERA MOUNT TO COLUMN

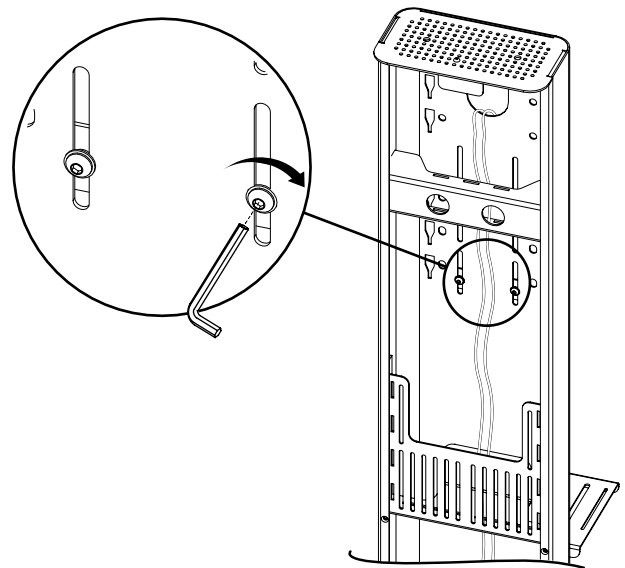


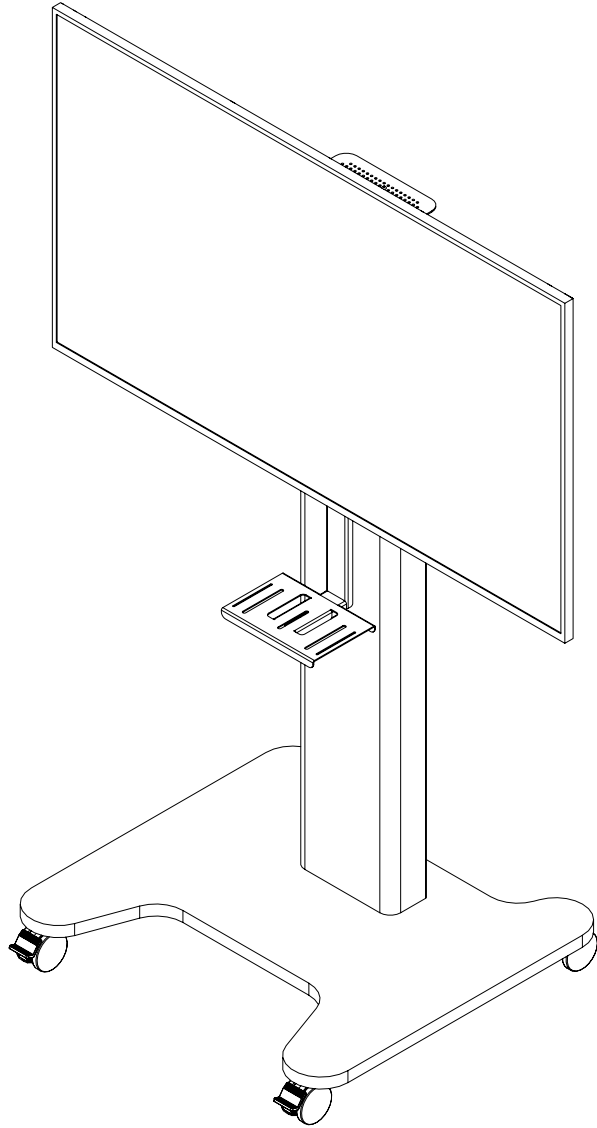
IMPORTANT NOTE
Ensure cables remain tucked behind camera bar for a tidy installation.

3.2 FIX CAMERA MOUNT INTO POSITION

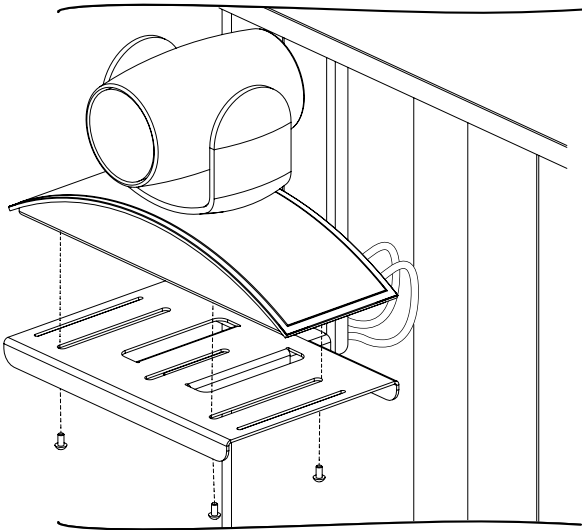


3.3 SECURE CAMERA MOUNT TO COLUMN



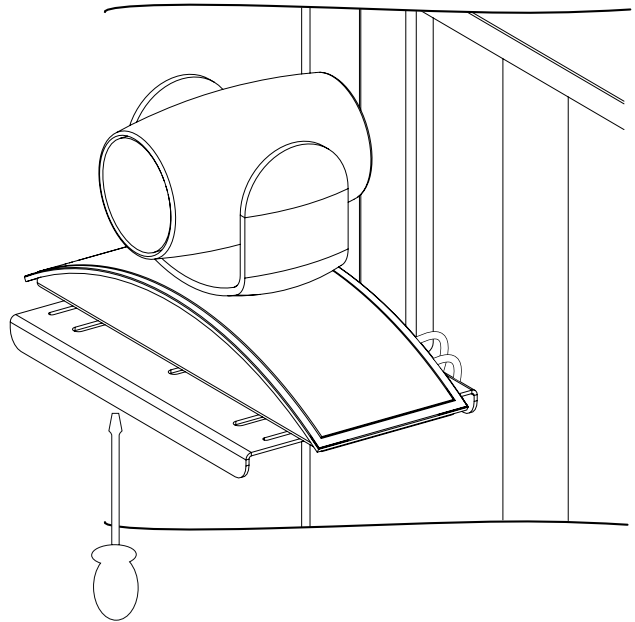


5.1 FIT CAMERA TO PLATFORM

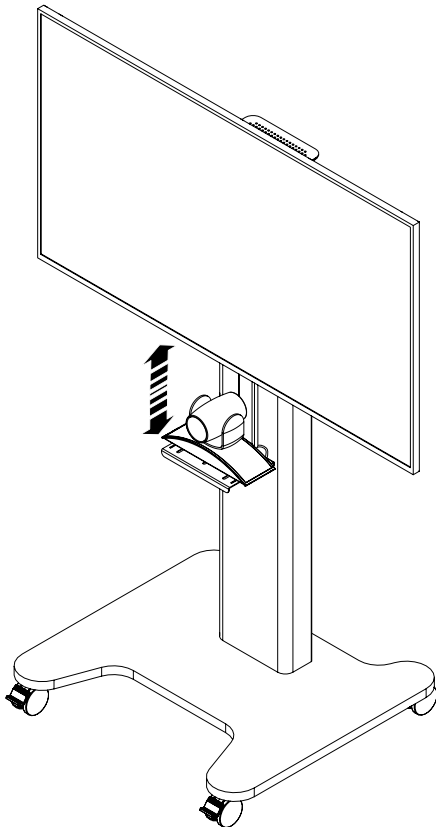


⚠ IMPORTANT NOTE
Remember to connect cables to camera.

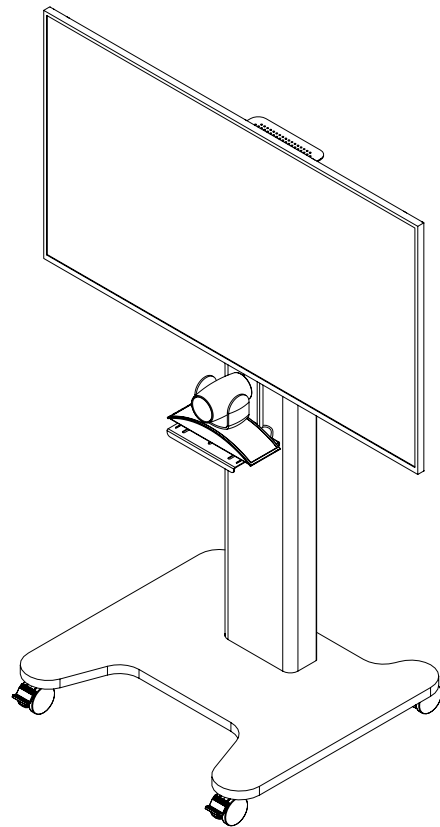
5.2 FULLY TIGHTEN FIXING SCREWS



5.3 ADJUST CAMERA MOUNT HEIGHT IF REQUIRED



5.4 YOUR CAMERA MOUNT INSTALL IS NOW COMPLETE



PLEASE CONSIDER LEAVING THESE INSTRUCTIONS WITH THE UNIT
IF FURTHER INSTALLATION MAY BE REQUIRED BY OTHERS

