



TECHNICAL SPECIFICATION SHEET

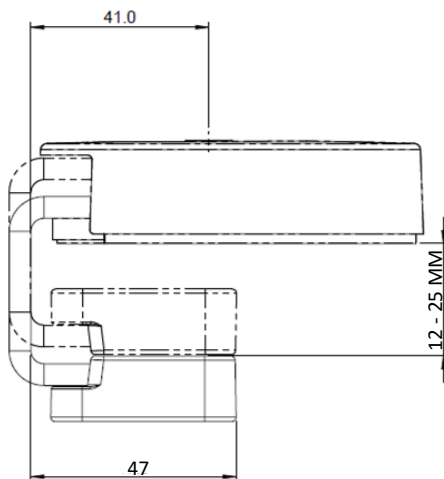
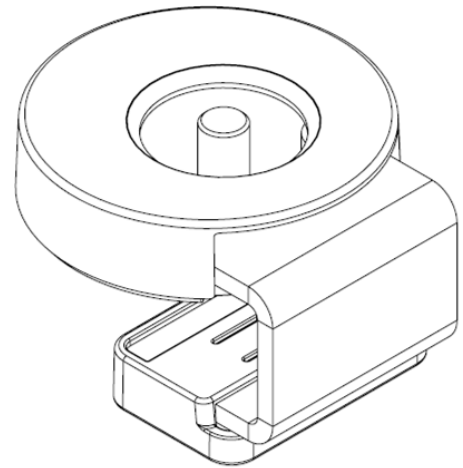
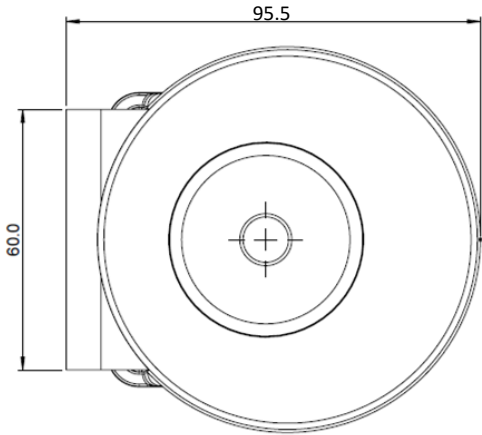
PRODUCT NAME: Universal Top Mount Clamp

PRODUCT CODE: UNI/TAC/001

Doc Rev 2.

Product Rev #A

08.08.2016 CF



*Note that dimensions provided are measured in mm

KEY FEATURES

- Mounts WSH post system to work surface
- Soft pad protects work surface from damage
- Suitable for desk range of 12 – 25mm

| | |
|---------------------------------|----------------------------|
| Product Classification | Brackets, Clamps & Fixings |
| Max load | N/A |
| Recycled content | 12% |
| Total product recyclable | 100% |

LOGISTICAL

| | |
|---------------------------------|--------------------------------------|
| Bag contains | Clamp, clamp cover, spacer moulding |
| Product net weight: | 0.6 kg |
| Bag dims (HxWxD) | 90 x 90 x 90 mm (Packed in poly bag) |
| Bag gross weight | 0.65 kg |
| Carton quantity | 24 |
| Master dims (HxWxD) | 505 x 290 x 220 mm |
| Master weight | 16.9 kg |
| Country of origin | China |
| Country of configuration | UK |

ORDERING INFORMATION

| <u>Product Description</u> | <u>Product code</u> | <u>Colour</u> |
|-----------------------------------|----------------------------|----------------------|
| Universal Top Mount Clamp | UNI/TAC/001 | :/S Silver |

WARRANTY

| | |
|----------------------|------------------|
| Warranty Term | Limited lifetime |
|----------------------|------------------|

COMPLIANCE & SAFETY CERTIFICATION

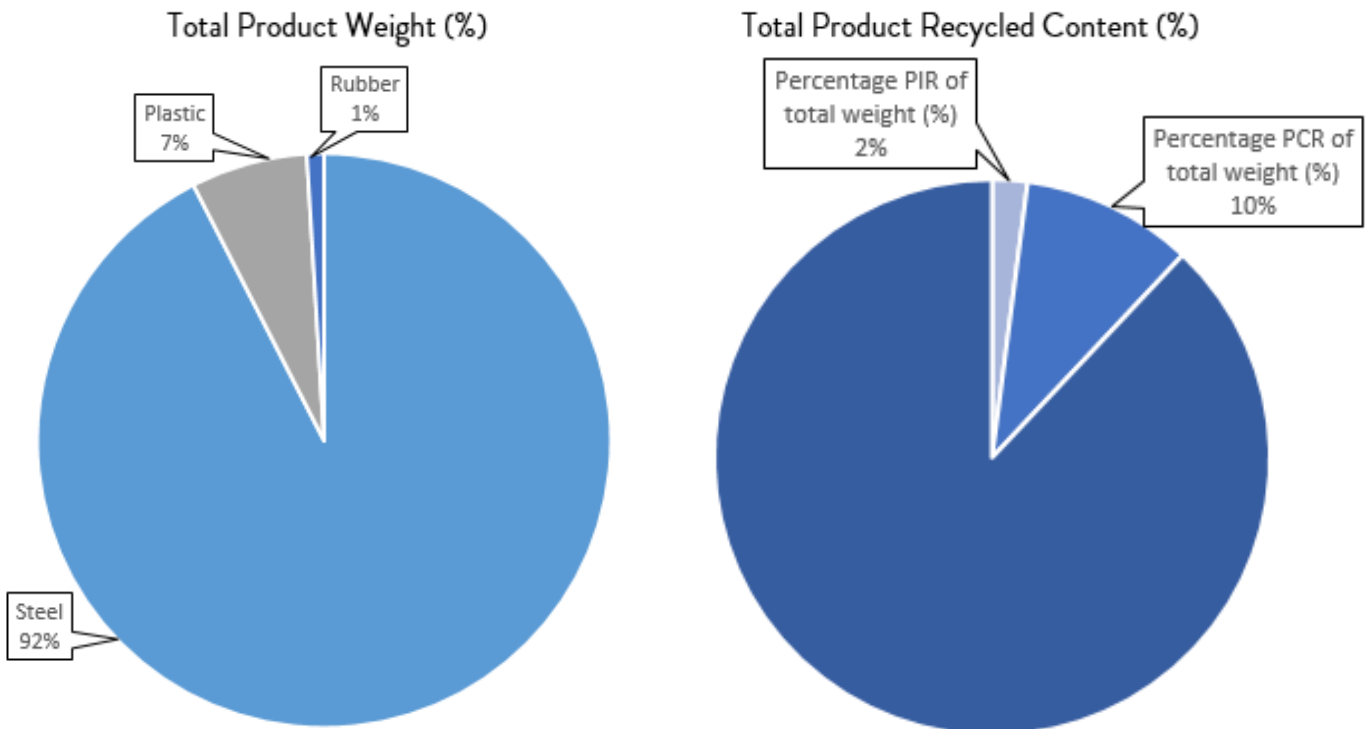
Whilst no mandatory standards apply to the monitor arm product sector, all Colebrook Bosson Saunders monitor arms have been designed with appropriate articulation features, dimensional range and adjustability to conform to the requirements of BS EN ISO 9241:5 1999 Ergonomic requirements for office work with visual display terminals (VDTs).

| | |
|----------------------------------|-----|
| Conformance certification | N/A |
| Test authority | CBS |
| Safety certification | N/A |

ENVIRONMENTAL

| Material Make-up | | | Total Recycled Content | Breakdown of Recycled Content | | Total Recyclable | |
|------------------|--------------------------------|--|------------------------------------|------------------------------------|------------------------------------|------------------------------|------------------------------|
| Overall Product | | | Overall Product | Overall Product | | Overall Product | |
| Material type | Total Material type weight (g) | Percentage of Total Product Weight (%) | Material-Type Recycled Content (%) | Percentage PIR of total weight (%) | Percentage PCR of total weight (%) | Total Product Recyclable (g) | Total Product Recyclable (%) |
| Steel | 479 | 92% | 12% | 2% | 10% | 479 | 92% |
| Plastic | 34 | 7% | 0% | 0% | 0% | 34 | 7% |
| Rubber | 5 | 1% | 0% | 0% | 0% | 5 | 1% |
| Total | 518 | 100% | 12% | 2% | 10% | 518 | 100% |

PIR = Post Industrial Recycled
PCR = Post Consumer Recycled



CLEANING, STORAGE & MAINTENANCE

Routine servicing

Periodic inspection

Service components

Available to order

Cleaning & Maintenance

Damp cloth, no abrasives, no solvents to be used on the cosmetic surfaces

Handling & Storage

Do not drop or expose to moisture

While every effort is made to ensure the accuracy of our technical information, Colebrook Bosson Saunders (Products) Ltd accept no liability for the accuracy of the information contained in this document and reserve the right to modify the specifications or data contained herein without prior notification.