

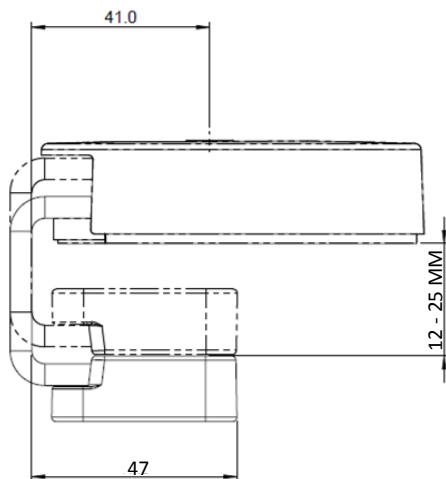
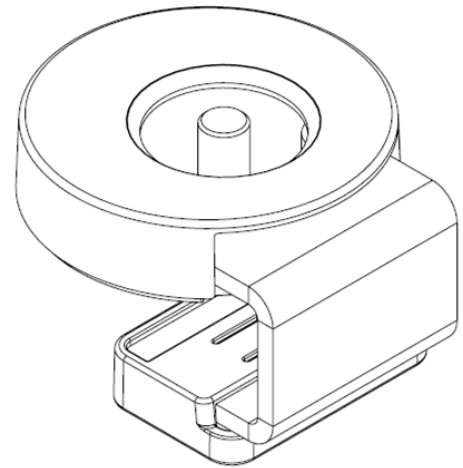
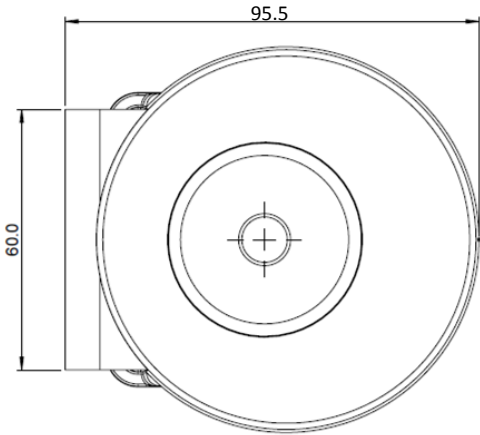


TECHNICAL SPECIFICATION SHEET

PRODUCT NAME: Universal Top Mount Clamp

PRODUCT CODE: UNI/TAC/001

Doc Rev 1. 20.04.2015. CF



*Note that dimensions provided are measured in mm

KEY FEATURES

- Mounts WSH post system to work surface
- Soft pad protects work surface from damage
- Suitable for desk range of 12 – 25mm

Product Classification	Brackets, Clamps & Fixings
Max load	N/A
Build level	#A
Recycled content	23%
Total product recyclable	100%

LOGISTICAL

Bag contains	Clamp, clamp cover, spacer moulding
Product net weight:	0.6 kg
Bag dims (HxWxD)	90 x 90 x 90 mm (Packed in poly bag)
Bag gross weight	0.65 kg
Carton quantity	24
Master dims (HxWxD)	505 x 290 x 220 mm
Master weight	16.9 kg
Country of origin	China
Country of configuration	UK

ORDERING INFORMATION

<u>Colour</u>	<u>Product code</u>	<u>EAN</u>
Silver	UNI/TAC/001/S	5060270820871

WARRANTY

Warranty Term	Limited lifetime
----------------------	------------------

COMPLIANCE & SAFETY CERTIFICATION

Whilst no mandatory standards apply to the monitor arm product sector, all Colebrook Bosson Saunders monitor arms have been designed with appropriate articulation features, dimensional range and adjustability to conform to the requirements of BS EN ISO 9241:5 1999 Ergonomic requirements for office work with visual display terminals (VDTs).

Conformance certification	N/A
Test authority	CBS
Safety certification	N/A

ENVIRONMENTAL

Material type	Material type Weight	% PIR of total weight	% PCR of total weight	% of total product recyclable
Aluminium Die Cast	0g	0%	0%	0%
Aluminium Extruded	0g	0%	0%	0%
Plastic	34g	0.33%	0.33%	6.56%
Rubber	5g	0%	0%	0.97%
Steel	479g	0%	23.12%	92.47%
Other	0g	0%	0%	0%
Total	518	0.33%	23.45%	100.00%

CLEANING, STORAGE & MAINTENANCE

Routine servicing	Periodic inspection
Service components	Available to order
Cleaning & Maintenance	Damp cloth, no abrasives, no solvents to be used on the cosmetic surfaces
Handling & Storage	Do not drop or expose to moisture

Colebrook Bosson Saunders (Products) Ltd accept no liability for the accuracy of the information contained herein and retain the right to modify the specifications or data contained herein without prior notification.