



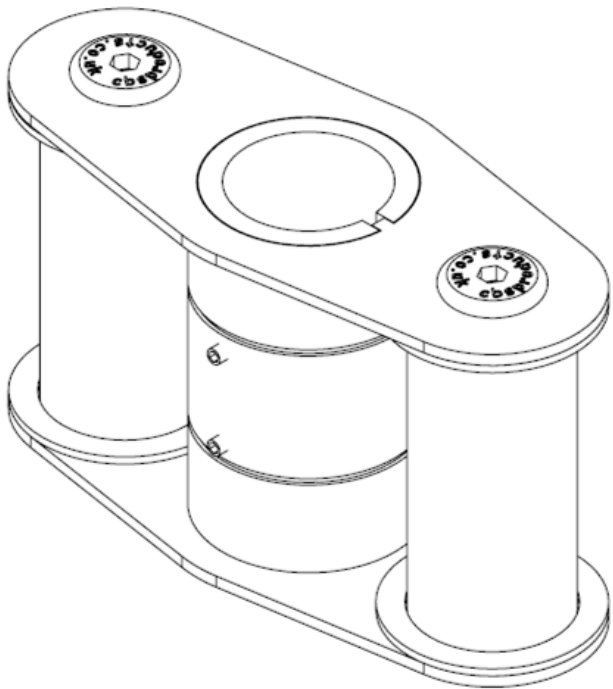
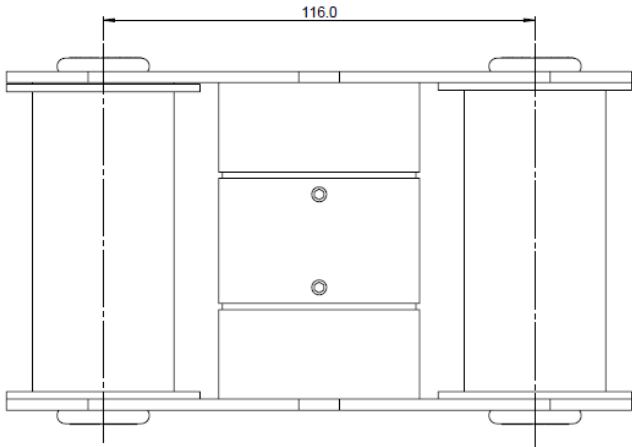
TECHNICAL SPECIFICATION SHEET

PRODUCT NAME: Back to Back Bracket

PRODUCT CODE: WSH/B2B

Doc Rev 2.

12.08.2016 CF



*Note that dimensions provided are measured in mm

KEY FEATURES

- Permits mounting of dual arms to a single post
- Fits all CBS Arms (with the exception of all Flo range)
- Mounts to WSH post system
- Clamps to post to prevent rotation of installation

Product Classification	Brackets, Clamps & Fixings
Max load	N/A
Recycled content	57%
Total product recyclable	100%

LOGISTICAL

Box contains	Back to Back Bracket (packed in polybag)
Product net weight:	1 kg
Bag dims (HxWxD)	210 x 150 x 80 mm
Bag gross weight	1 kg
Carton quantity	24
Master dims (HxWxD)	620 x 360 x 160 mm
Master weight	24.74 kg
Country of origin	China
Country of configuration	UK

ORDERING INFORMATION

<u>Product Description</u>	<u>Product code</u>	<u>Colour</u>
Back to Back Bracket	WSH/B2B	:/S Silver

WARRANTY

Warranty Term	Limited lifetime
----------------------	------------------

COMPLIANCE & SAFETY CERTIFICATION

Whilst no mandatory standards apply to the monitor arm product sector, all Colebrook Bosson Saunders monitor arms have been designed with appropriate articulation features, dimensional range and adjustability to conform to the requirements of BS EN ISO 9241:5 1999 Ergonomic requirements for office work with visual display terminals (VDTs).

Conformance certification	N/A
Test authority	CBS
Safety certification	N/A

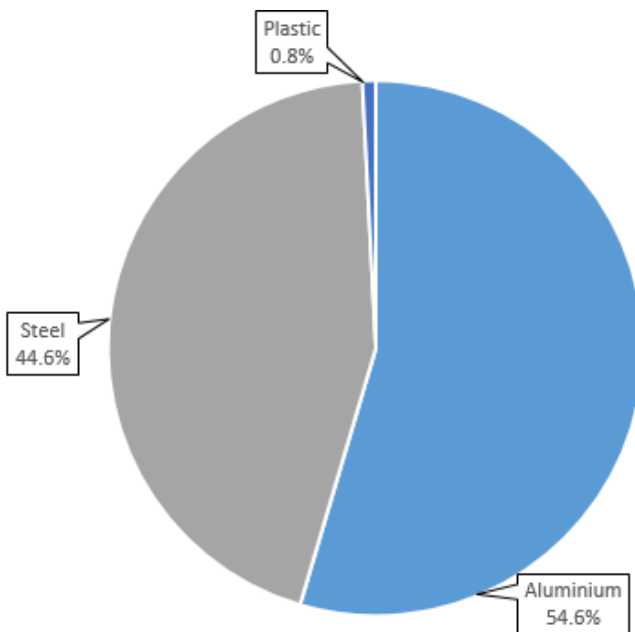
ENVIRONMENTAL

Material Make-up			Total Recycled Content	Breakdown of Recycled Content		Total Recyclable	
Overall Product			Overall Product			Overall Product	
Material type	Total Material type weight (g)	Percentage of Total Product Weight (%)	Material-Type Recycled Content (%)	Percentage PIR of total weight (%)	Percentage PCR of total weight (%)	Total Product Recyclable (g)	Total Product Recyclable (%)
Aluminium	543	54.6%	51%	27%	24%	543	54.6%
Steel	444	44.6%	6%	1%	5%	444	44.6%
Plastic	8	0.8%	0%	0%	0%	8	0.8%
Total	995	100.0%	57%	28%	29%	995	100.0%

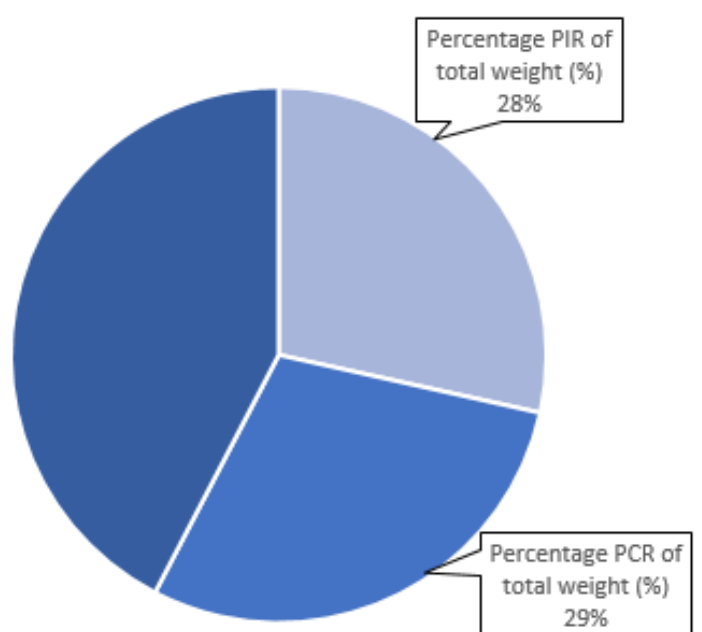
PIR = Post Industrial Recycled

PCR = Post Consumer Recycled

Total Product Weight (%)



Total Product Recycled Content (%)



CLEANING, STORAGE & MAINTENANCE

Routine servicing

Periodic inspection

Service components

Available to order

Cleaning & Maintenance

Damp cloth, no abrasives, no solvents to be used on the cosmetic surfaces

Handling & Storage

Do not drop or expose to moisture

While every effort is made to ensure the accuracy of our technical information, Colebrook Bosson Saunders (Products) Ltd accept no liability for the accuracy of the information contained in this document and reserve the right to modify the specifications or data contained herein without prior notification.