



## TECHNICAL SPECIFICATION SHEET

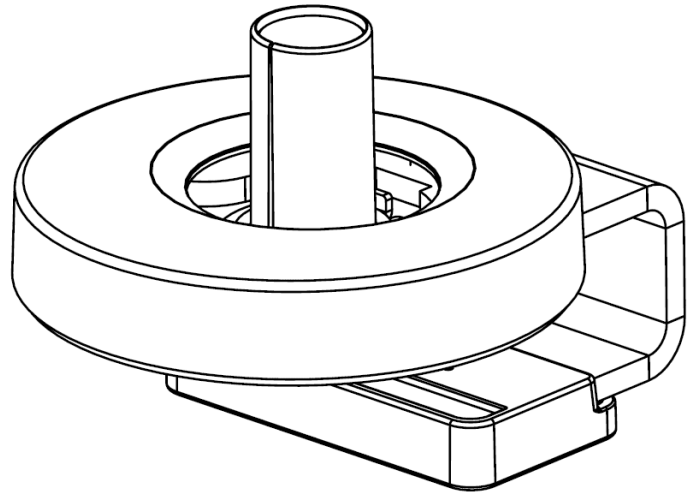
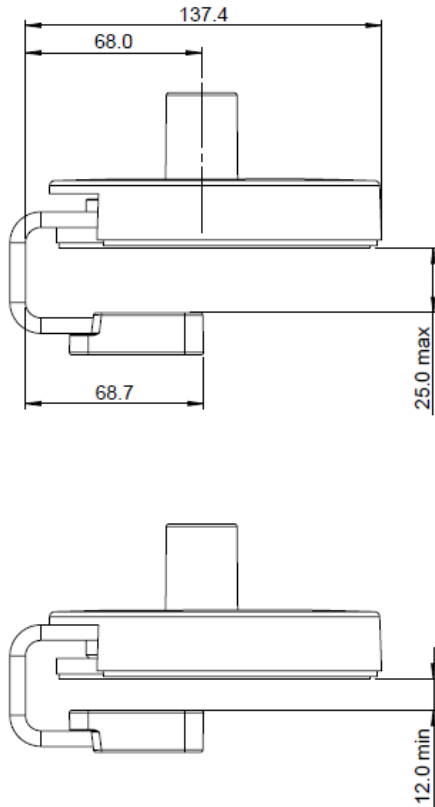
**PRODUCT NAME:** Flo Plus Top Mount Clamp

**PRODUCT CODE:** DYN/026/A34

Doc Rev 2.

Product Rev #A

27.07.2016 CF



\*Note dimensions provided are measured in mm

### KEY FEATURES

- Compatible with Flo Plus Dynamic Monitor Arm.
- Top access screw position permits easy fitting from above-desk position.
- Attractive cover conceals fixing screws.
- Moulded pads protect work surface above and below desk.
- Configurable 180° stop system.

<b>Product Classification</b>	Brackets, Clamps & Fixings
<b>Min load</b>	18kg (39.6lb)
<b>Clamping range</b>	12-25mm work surface thickness
<b>Recycled content</b>	12.18%
<b>Total product recyclable</b>	100%

## LOGISTICAL

---

<b>Box contains</b>	Clamp assembly and allen keys.
<b>Product net weight</b>	1.6kg
<b>Box dims (HxWxD)</b>	115 x 140 x 145 mm
<b>Box gross weight</b>	1.8kg
<b>Carton quantity</b>	8
<b>Master dims (HxWxD)</b>	300 x 240 x 300 mm
<b>Master weight</b>	14.5kg
<b>Country of origin</b>	China
<b>Country of configuration</b>	UK

## ORDERING INFORMATION

---

<b><u>Product Description</u></b>	<b><u>Product code</u></b>	<b><u>Colour</u></b>
Flo Plus Top Mount Clamp	DYN/026/A34	:/W White

## WARRANTY

---

Warranty Term	Limited lifetime warranty
---------------	---------------------------

## COMPLIANCE & SAFETY CERTIFICATION

---

Whilst no mandatory standards apply to the monitor arm product sector, all Colebrook Bosson Saunders monitor arms have been designed with appropriate articulation features, dimensional range and adjustability to conform to the requirements of BS EN ISO 9241:5 1999 Ergonomic requirements for office work with visual display terminals (VDTs).

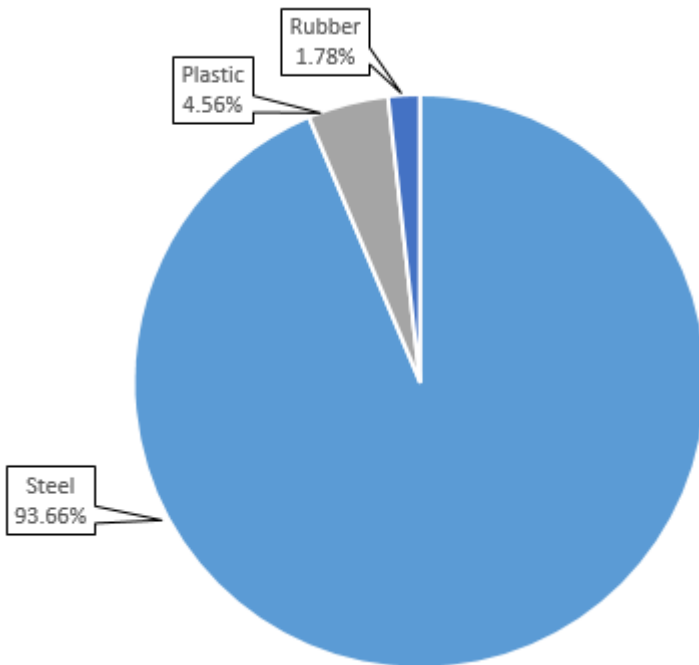
<b>Conformance certification</b>	BS EN ISO 9241:5 1999 Ergonomic Requirements for office work with visual display terminals (VDTs). FIRA certificate of conformance pending.
<b>Test authority</b>	CBS
<b>Safety certification</b>	N/A

## ENVIRONMENTAL

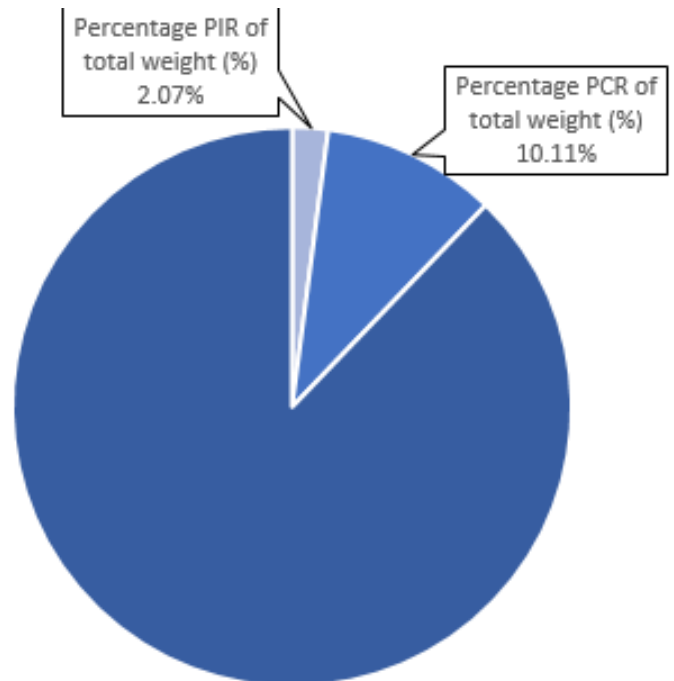
Material Make-up			Total Recycled Content	Breakdown of Recycled Content		Total Recyclable	
Overall Product			Overall Product			Overall Product	
Material type	Total Material type weight (g)	Percentage of Total Product Weight (%)	Material-Type Recycled Content (%)	Percentage PIR of total weight (%)	Percentage PCR of total weight (%)	Total Product Recyclable (g)	Total Product Recyclable (%)
Steel	1473.5	93.66%	12.18%	2.07%	10.11%	1474	93.66%
Plastic	71.7	4.56%	0.00%	0.00%	0.00%	72	4.56%
Rubber	28	1.78%	0.00%	0.00%	0.00%	28	1.78%
<b>Total</b>	<b>1573.2</b>	<b>100.00%</b>	<b>12.18%</b>	<b>2.07%</b>	<b>10.11%</b>	<b>1573</b>	<b>100.00%</b>

PIR = Post Industrial Recycled  
PCR = Post Consumer Recycled

Total Product Weight (%)



Total Product Recycled Content (%)



## CLEANING, STORAGE & MAINTENANCE

### Routine servicing

Periodic inspection

### Service components

Available to order

### Cleaning & Maintenance

Damp cloth, no abrasives, no solvents to be used on the cosmetic surfaces

### Handling & Storage

Do not drop or expose to moisture

While every effort is made to ensure the accuracy of our technical information, Colebrook Bosson Saunders (Products) Ltd accept no liability for the accuracy of the information contained in this document and reserve the right to modify the specifications or data contained herein without prior notification.