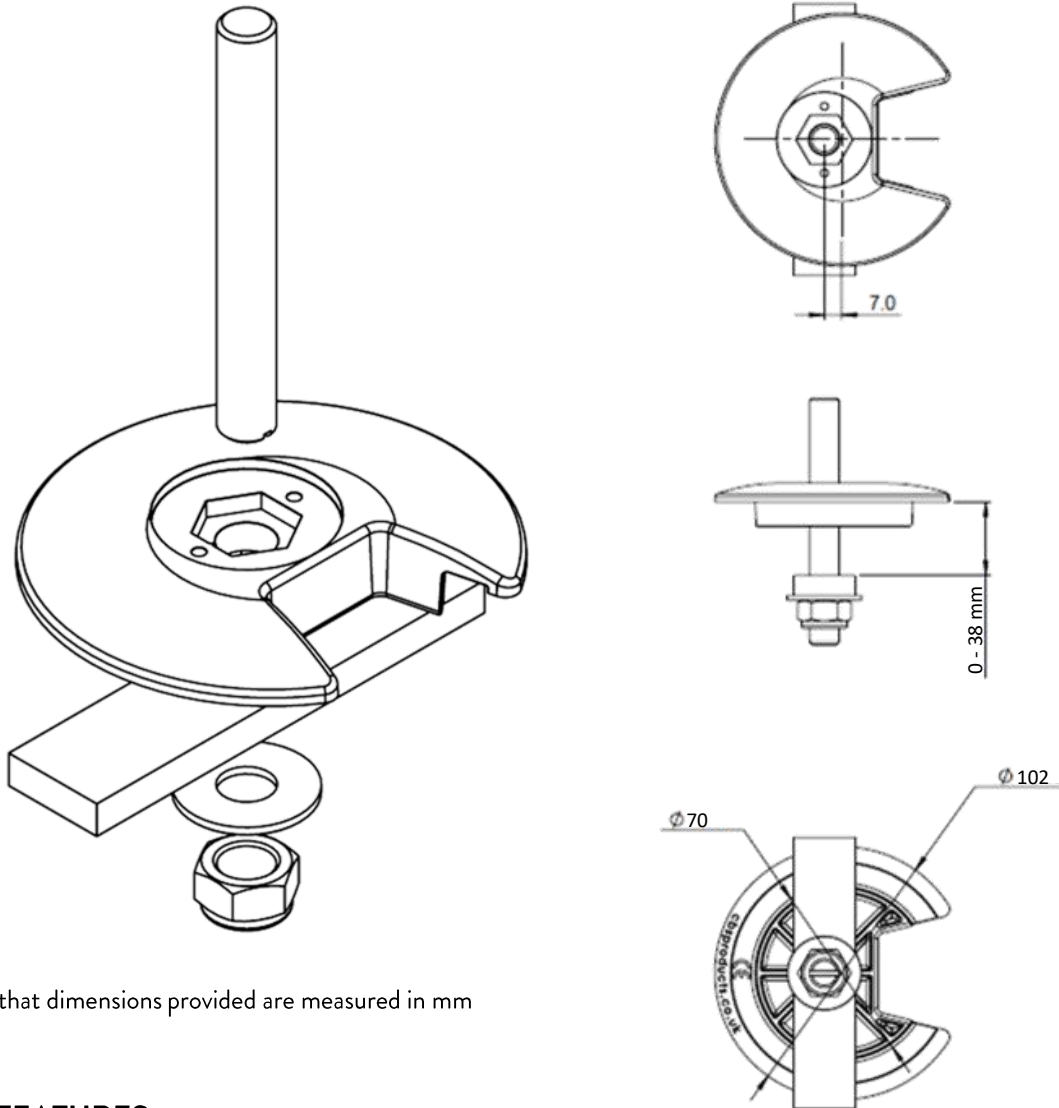


PRODUCT NAME: Universal Cast Grommet

PRODUCT CODE: UNI/CSG100/K

Doc Rev 4.

18.05.2021 CS



*Note that dimensions provided are measured in mm

KEY FEATURES

- Mounts arm post into standard cable grommet hole
- Rounded contours, will not damage cable
- Suitable for desk thickness of 0 – 38mm
- Suitable for standard 3" / 75mm diameter grommet hole

Product Classification	Brackets, Clamps & Fixings
Max load	N/A
Recycled content	30%
Total product recyclable	100%

LOGISTICAL

Box contains	Grommet, stud, bar, nut
Product net weight:	0.55 kg
Box dims (HxWxD)	30 x 120 x 120 mm
Box gross weight	0.59 kg
Carton quantity	24
Master dims (HxWxD)	145 x 255 x 385 mm
Master weight	14.5 kg
Country of origin	China
Country of configuration	UK

ORDERING INFORMATION

<u>Product Description</u>	<u>Product code</u>	<u>Colour</u>
Universal Cast Grommet	UNI/CSG100/K	:/S Silver

WARRANTY

Warranty Term	12 years
----------------------	----------

COMPLIANCE & SAFETY CERTIFICATION

Whilst no mandatory standards apply to the monitor arm product sector, all Colebrook Bosson Saunders monitor arms have been designed with appropriate articulation features, dimensional range and adjustability to conform to the requirements of BS EN ISO 9241:5 1999 Ergonomic requirements for office work with visual display terminals (VDTs).

Conformance certification	N/A
Test authority	CBS
Safety certification	N/A

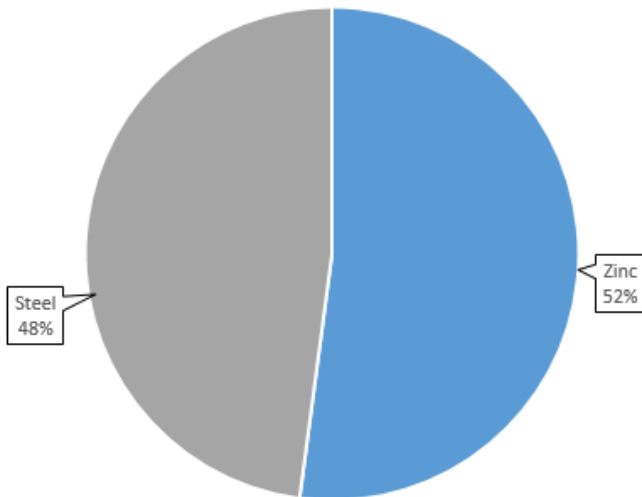
ENVIRONMENTAL

Material Make-up			Total Recycled Content	Breakdown of Recycled Content		Total Recyclable	
Overall Product			Overall Product	Overall Product		Overall Product	
Material type	Total Material type weight (g)	Percentage of Total Product Weight (%)	Material-Type Recycled Content (%)	Percentage PIR of total weight (%)	Percentage PCR of total weight (%)	Total Product Recyclable (g)	Total Product Recyclable (%)
Zinc	285	52%	24%	11%	11%	285	52%
Steel	262	48%	6%	1%	5%	262	48%
Total	547	100%	30%	13%	17%	547	100%

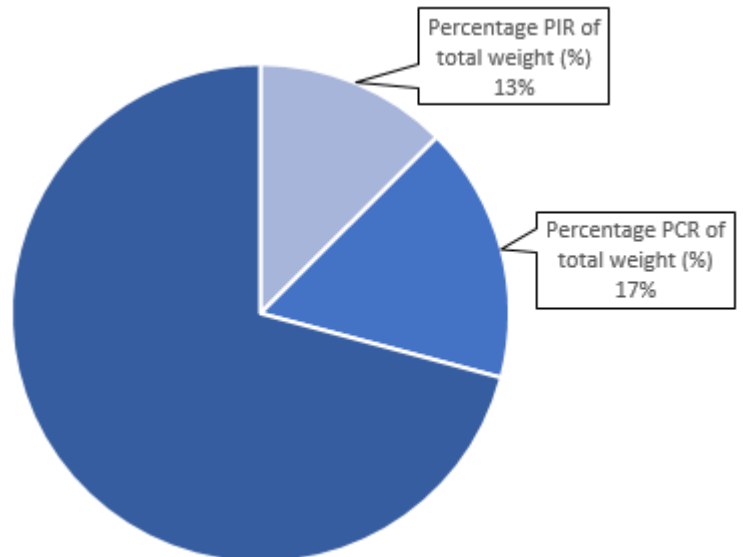
PIR = Post Industrial Recycled

PCR = Post Consumer Recycled

Total Product Weight (%)



Total Product Recycled Content (%)



CLEANING, STORAGE & MAINTENANCE

Routine servicing

Periodic inspection

Service components

Available to order

Cleaning & Maintenance

Damp cloth, no abrasives, no solvents to be used on the cosmetic surfaces

Handling & Storage

Do not drop or expose to moisture

While every effort is made to ensure the accuracy of our technical information, Colebrook Bosson Saunders (Products) Ltd accept no liability for the accuracy of the information contained in this document and reserve the right to modify the specifications or data contained herein without prior notification.