



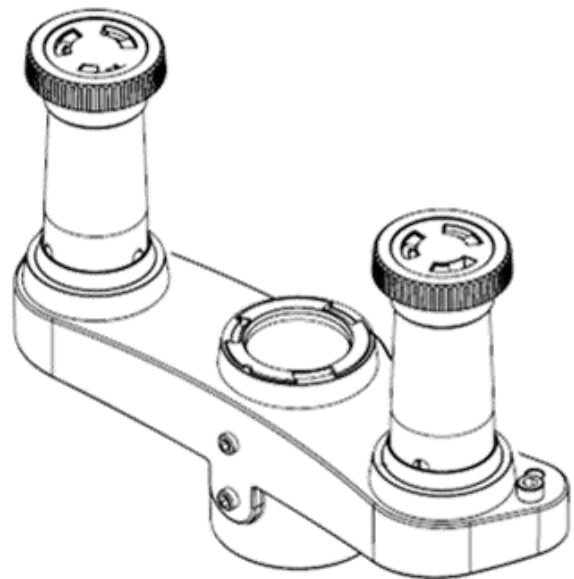
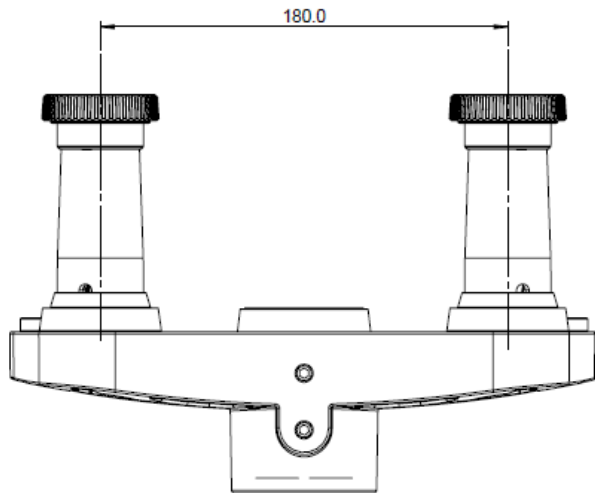
TECHNICAL SPECIFICATION SHEET

PRODUCT NAME: Dual Arm Mount Bracket

PRODUCT CODE: UNI/DMB/001

Doc Rev 3.

18.05.2021 CS



*Note that dimensions provided are measured in mm

KEY FEATURES

- Permits mounting of dual / triple arms to a single post
- Fits all CBS Arms (with the exception of all Flo range)
- Suitable for high load applications
- Arms can be installed / removed without removing bracket from post
- Tool free arm installation
- Includes 180° stop (compatible with Wishbone Plus only)

Product Classification	Brackets, Clamps & Fixings
Max load	N/A
Recycled content	84.1%
Total product recyclable	100%

LOGISTICAL

Box contains	Dual Mount Bracket
Product net weight:	1.2 kg
Box dims (HxWxD)	90 x 290 x 200 mm
Box gross weight	1.4 kg
Carton quantity	12
Master dims (HxWxD)	610 x 405 x 300 mm
Master weight	17.68 kg
Country of origin	China
Country of configuration	UK

ORDERING INFORMATION

<u>Product Description</u>	<u>Product code</u>	<u>Colour</u>
Dual Mount Bracket	UNI/DMB/001	:/S Silver

WARRANTY

Warranty Term	12 years
----------------------	----------

COMPLIANCE & SAFETY CERTIFICATION

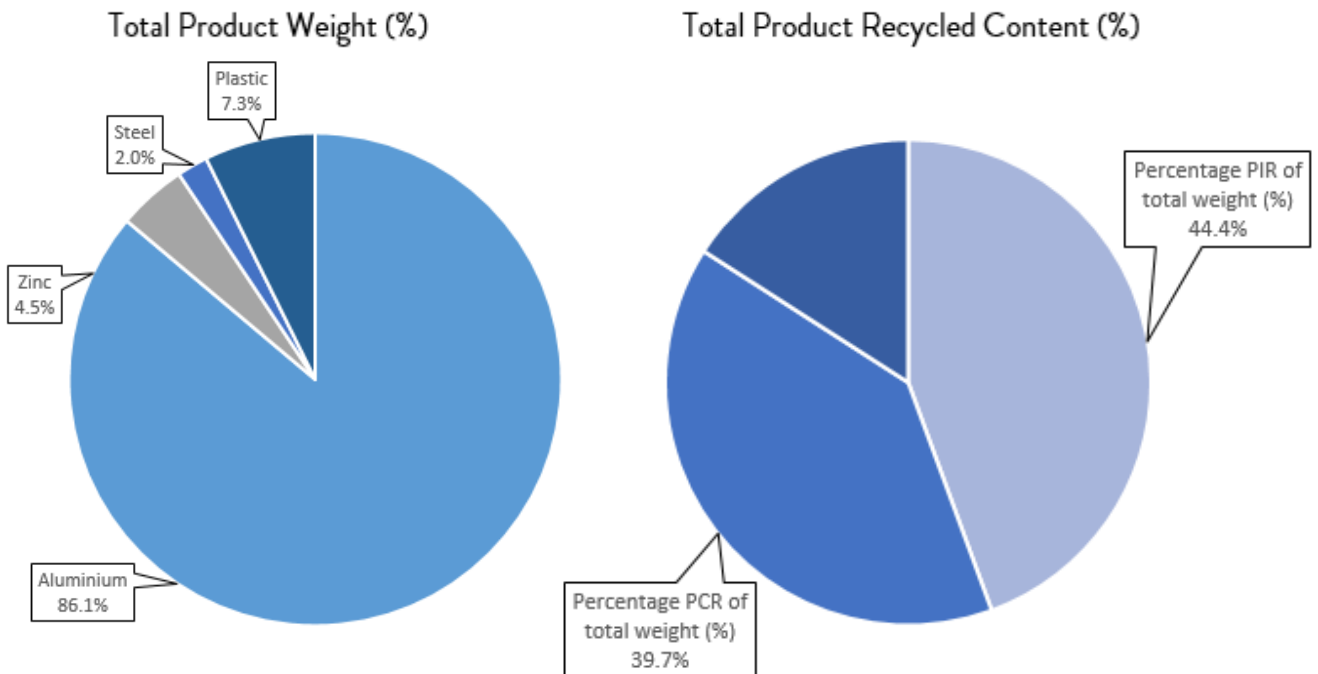
Whilst no mandatory standards apply to the monitor arm product sector, all Colebrook Bosson Saunders monitor arms have been designed with appropriate articulation features, dimensional range and adjustability to conform to the requirements of BS EN ISO 9241:5 1999 Ergonomic requirements for office work with visual display terminals (VDTs).

Conformance certification	N/A
Test authority	CBS
Safety certification	N/A

ENVIRONMENTAL

Material Make-up			Total Recycled Content	Breakdown of Recycled Content		Total Recyclable	
Overall Product			Overall Product			Overall Product	
Material type	Total Material type weight (g)	Percentage of Total Product Weight (%)	Material-Type Recycled Content (%)	Percentage PIR of total weight (%)	Percentage PCR of total weight (%)	Total Product Recyclable (g)	Total Product Recyclable (%)
Aluminium	1062.0	86.1%	81.8%	43.4%	38.5%	1062.0	86.1%
Zinc	56.0	4.5%	2.0%	1.0%	1.0%	56.0	4.5%
Steel	25.0	2.0%	0.3%	0.0%	0.2%	25.0	2.0%
Stainless Steel	0.0	0.0%	0.0%	0.0%	0.0%	0.0	0.0%
Brass	0.0	0.0%	0.0%	0.0%	0.0%	0.0	0.0%
Plastic	90.0	7.3%	0.0%	0.0%	0.0%	90.0	7.3%
Rubber	0.0	0.0%	0.0%	0.0%	0.0%	0.0	0.0%
Total	1233.0	100.0%	84.1%	44.4%	39.7%	1233.0	100.0%

PIR = Post Industrial Recycled
PCR = Post Consumer Recycled



CLEANING, STORAGE & MAINTENANCE

Routine servicing	Periodic inspection
Service components	Available to order
Cleaning & Maintenance	Damp cloth, no abrasives, no solvents to be used on the cosmetic surfaces
Handling & Storage	Do not drop or expose to moisture

While every effort is made to ensure the accuracy of our technical information, Colebrook Bosson Saunders (Products) Ltd accept no liability for the accuracy of the information contained in this document and reserve the right to modify the specifications or data contained herein without prior notification.