



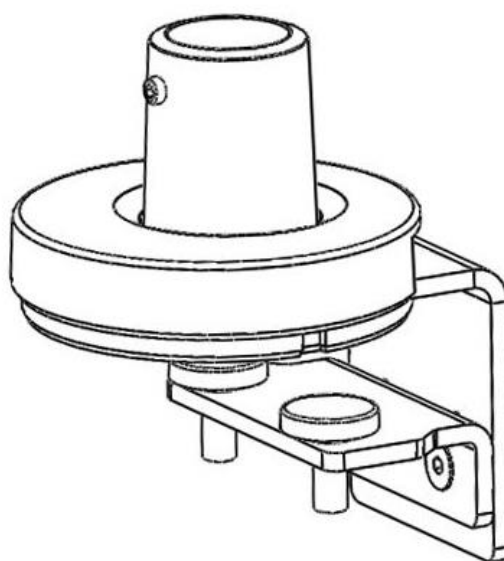
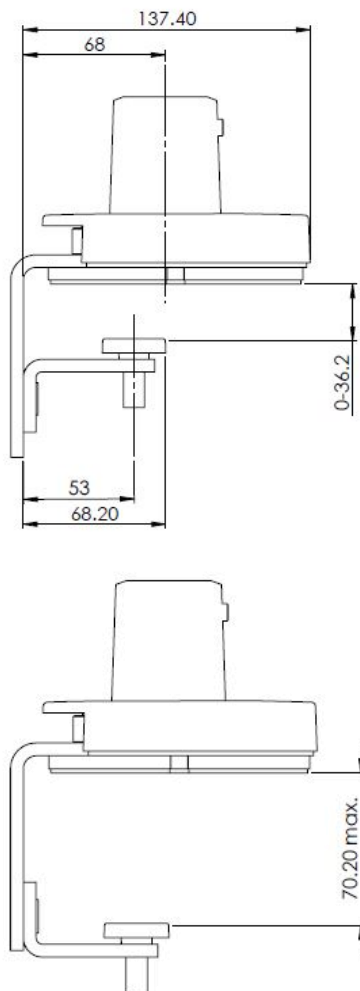
TECHNICAL SPECIFICATION SHEET

PRODUCT NAME: Universal High Load Split Mount Clamp

PRODUCT CODE: UNI/HLC/001

Doc Rev 4.

18.05.2021 CS



*Note dimensions provided are measured in mm

KEY FEATURES

- Mounts WSH post system to work surface
- Soft Pads protects work surface from damage
- Clamp pad ensures secure grip without damaging underside of work surface
- Designed for applications where there is a greater weight requirement
- Suitable for desk thickness from 0-68mm

Product Classification Brackets, Clamps and Fixings

Max load Dependant on Arm load

Recycled content 24%

Total product recyclable 100%

LOGISTICAL

Box contains	Clamp, clamp screws, clamp pad, Allen Key
Product net weight:	1.9 kg
Box dims (HxWxD)	190 x 145 x 140 mm
Box gross weight	2 kg
Carton quantity	8
Master dims (HxWxD)	310 x 425 x 310 mm
Master weight	18.5 kg
Country of origin	China
Country of configuration	UK

ORDERING INFORMATION

<u>Product Description</u>	<u>Product code</u>	<u>Colour</u>
Universal High Load Split Mount Clamp	UNI/HLC/001	:/S Silver or :/B Black

WARRANTY

Warranty Term	12 years
----------------------	----------

COMPLIANCE & SAFETY CERTIFICATION

Whilst no mandatory standards apply to the monitor arm product sector, all Colebrook Bosson Saunders monitor arms have been designed with appropriate articulation features, dimensional range and adjustability to conform to the requirements of BS EN ISO 9241:5 1999 Ergonomic requirements for office work with visual display terminals (VDTs).

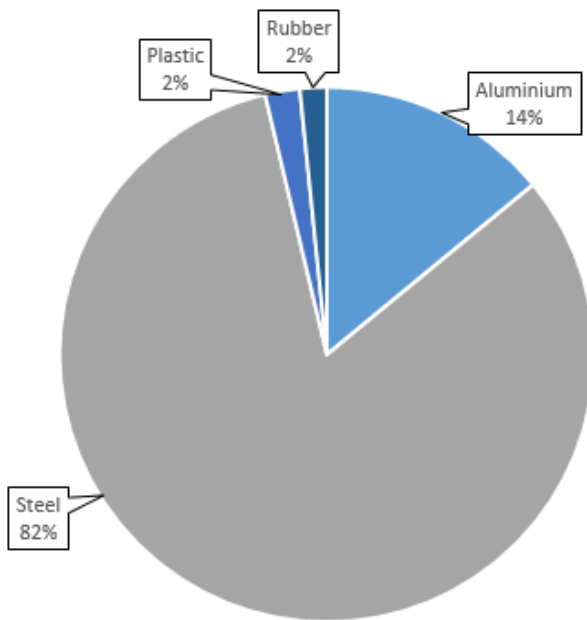
Conformance certification	N/A
Test authority	CBS
Safety certification	N/A

ENVIRONMENTAL

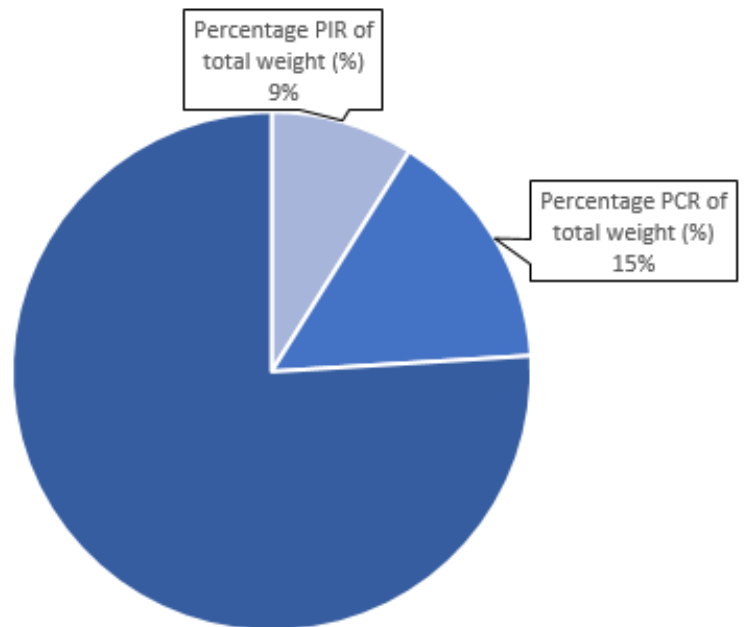
Material Make-up			Total Recycled Content	Breakdown of Recycled Content		Total Recyclable	
Overall Product			Overall Product	Overall Product		Overall Product	
Material type	Total Material type weight (g)	Percentage of Total Product Weight (%)	Material-Type Recycled Content (%)	Percentage PIR of total weight (%)	Percentage PCR of total weight (%)	Total Product Recyclable (g)	Total Product Recyclable (%)
Aluminium	275.20	14%	13%	7%	6%	275.20	14%
Steel	1611.90	82%	11%	2%	9%	1611.90	82%
Plastic	41.20	2%	0%	0%	0%	41.20	2%
Rubber	31.80	2%	0%	0%	0%	31.80	2%
Total	1960.10	100%	24%	9%	15%	1960.10	100%

PIR = Post Industrial Recycled
PCR = Post Consumer Recycled

Total Product Weight (%)



Total Product Recycled Content (%)



CLEANING, STORAGE & MAINTENANCE

Routine servicing

Periodic inspection

Service components

Available to order

Cleaning & Maintenance

Damp cloth, no abrasives, no solvents to be used on the cosmetic surfaces

Handling & Storage

Do not drop or expose to moisture

While every effort is made to ensure the accuracy of our technical information, Colebrook Bosson Saunders (Products) Ltd accept no liability for the accuracy of the information contained in this document and reserve the right to modify the specifications or data contained herein without prior notification.