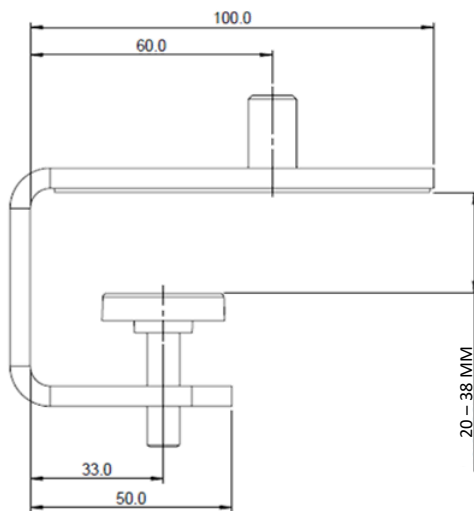
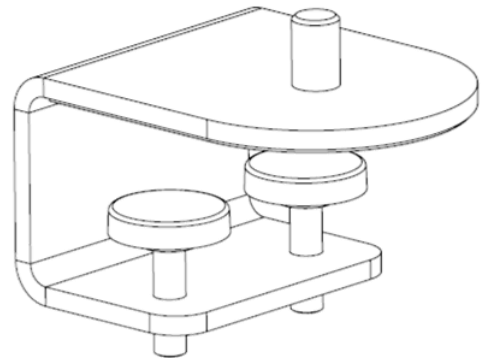
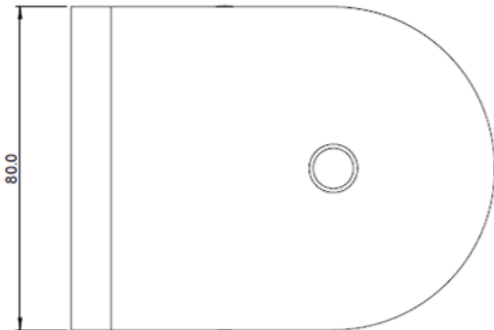


PRODUCT NAME: Universal Desk Clamp

PRODUCT CODE: UNI/LCLM38

Doc Rev 3.

18.05.2021 CS



*Note that dimensions provided are measured in mm

KEY FEATURES

- Mounts WSH post system to work surface
- Soft pad protects work surface from damage
- Clamp pads ensure secure grip without damaging underside of worktop
- Suitable for desk range of 20 – 38mm

Product Classification Brackets, Clamps & Fixings

Recycled content 15%

Total product recyclable 100%

LOGISTICAL

Box contains	Clamp, clamp screws, clamp pads, allen key
Product net weight:	0.65 kg
Box dims (HxWxD)	135 x 95 x 95 mm
Box gross weight	0.7 kg
Carton quantity	20
Master dims (HxWxD)	505 x 220 x 285 mm
Master weight	15.3 kg
Country of origin	China
Country of configuration	UK

ORDERING INFORMATION

<u>Product Description</u>	<u>Product code</u>	<u>Colour</u>
Universal Desk Clamp	UNI/LCLM38	:/S Silver

WARRANTY

Warranty Term	12 years
----------------------	----------

COMPLIANCE & SAFETY CERTIFICATION

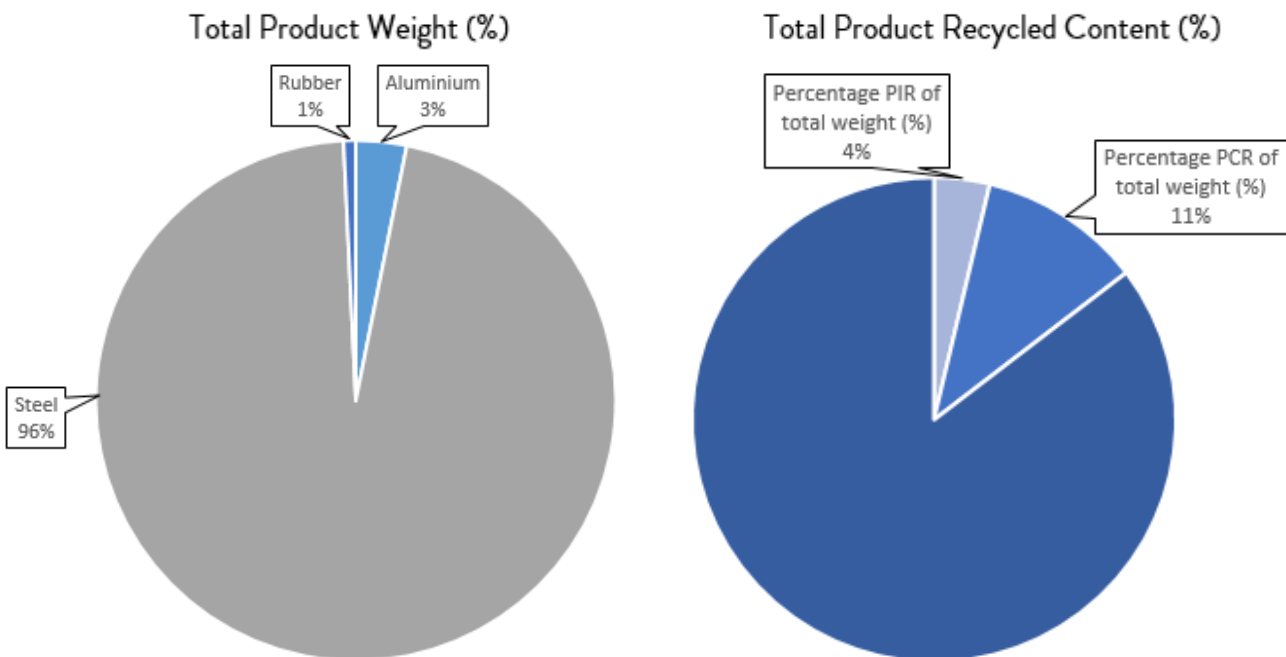
Whilst no mandatory standards apply to the monitor arm product sector, all Colebrook Bosson Saunders monitor arms have been designed with appropriate articulation features, dimensional range and adjustability to conform to the requirements of BS EN ISO 9241:5 1999 Ergonomic requirements for office work with visual display terminals (VDTs).

Conformance certification	N/A
Test authority	CBS
Safety certification	N/A

ENVIRONMENTAL

Material Make-up			Total Recycled Content	Breakdown of Recycled Content		Total Recyclable	
Overall Product			Overall Product	Overall Product		Overall Product	
Material type	Total Material type weight (g)	Percentage of Total Product Weight (%)	Material-Type Recycled Content (%)	Percentage PIR of total weight (%)	Percentage PCR of total weight (%)	Total Product Recyclable (g)	Total Product Recyclable (%)
Aluminium	21	3%	3%	2%	1%	21	3%
Steel	640	96%	12%	2%	10%	640	96%
Rubber	5	1%	0%	0%	0%	5	1%
Total	666	100%	15%	4%	11%	666	100%

PIR = Post Industrial Recycled
PCR = Post Consumer Recycled



CLEANING, STORAGE & MAINTENANCE

Routine servicing

Periodic inspection

Service components

Available to order

Cleaning & Maintenance

Damp cloth, no abrasives, no solvents to be used on the cosmetic surfaces

Handling & Storage

Do not drop or expose to moisture

While every effort is made to ensure the accuracy of our technical information, Colebrook Bosson Saunders (Products) Ltd accept no liability for the accuracy of the information contained in this document and reserve the right to modify the specifications or data contained herein without prior notification.