



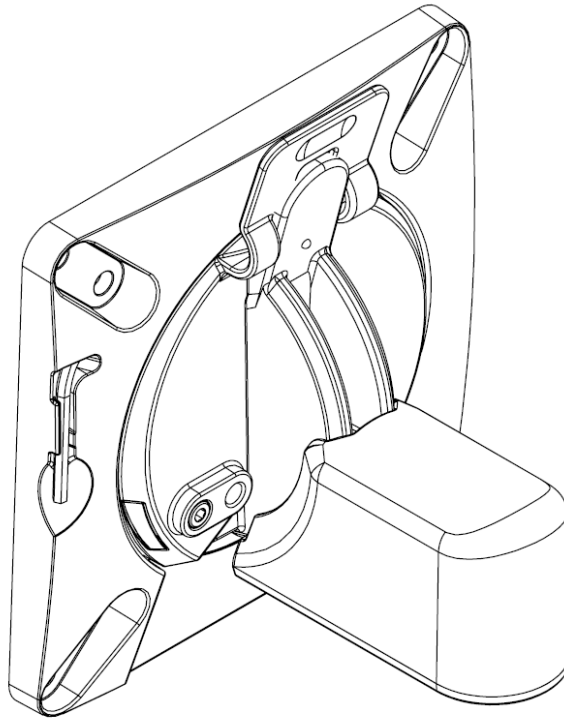
TECHNICAL SPECIFICATION SHEET

PRODUCT NAME: Flo Plus Single Head Mount

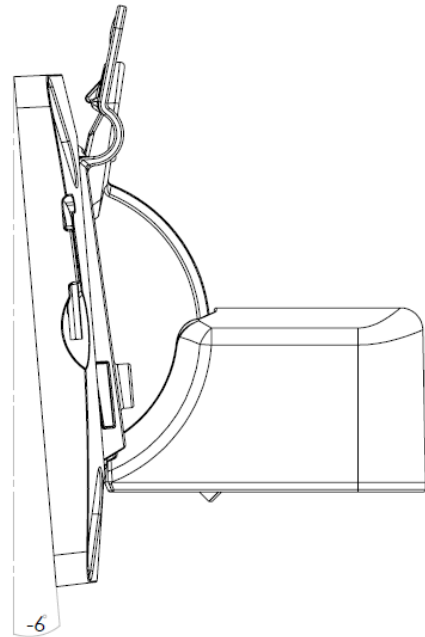
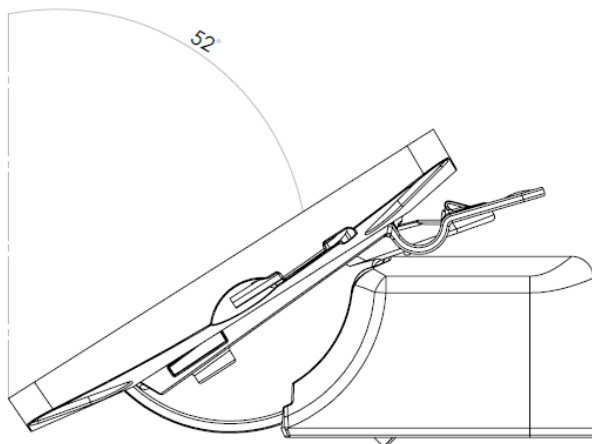
PRODUCT CODE: DYN/SHM/002/B

Doc Rev 3.

07.05.21 KO



Head Tilt Range



KEY FEATURES & SPECIFICATIONS

- Compatible with Flo Plus dynamic monitor arm.
- Quick-release system to aid rapid removal and refitting. Optional security feature included to disable quick-release.
- Tilt action and portrait-to-landscape rotation, each with adjustable friction.
- VESA 100x100 and VESA 75x75 compatible.
- Includes VESA fixing screws (10mm & 12mm length options) and optional security screw.

Screen size range:	Recommended for screens up to 43" diagonal
Load capacity:	8.5kg min to 15kg max
Tilt range:	+52° upwards to 6° downwards
VESA compatibility:	VESA 100x100 & VESA 75x75
Recycled content:	40%
Total product recyclable:	100%

LOGISTICAL

Box contains:	Tilt head, rotation bush, 4mm allen key, VESA plate, friction adjustment tool, 4 x VESA fixing screws (M4 x 10mm), 4 x VESA fixing screws (M4 x 12mm), security screw.
Product net weight:	0.31kg*
Pack dims:	190 x 120 x 60mm*
Pack gross weight:	0.39kg*
Master carton quantity:	36
Master carton dims:	400 x 390 x 385mm*
Master carton gross weight:	15kg*
Country of origin:	China

*Sizes and weights are approximate and may be subject to variation

ORDERING INFORMATION

<u>Product Description</u>	<u>Product code</u>	<u>Colour</u>
Flo Plus Single Head Mount	DYN/SHM/002/B	Black

WARRANTY

Warranty Term	12 years
----------------------	----------

COMPLIANCE & SAFETY CERTIFICATION

Whilst no mandatory standards apply to the monitor arm product sector, all Colebrook Bosson Saunders monitor arms have been designed with appropriate articulation features, dimensional range and adjustability to conform to the requirements of BS EN ISO 9241:5 1999 Ergonomic requirements for office work with visual display terminals (VDTs).

ENVIRONMENTAL

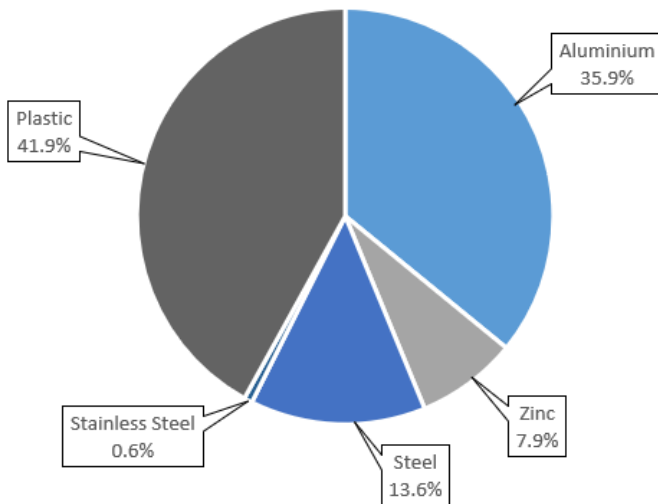
Material Make-up			Total Recycled Content	Breakdown of Recycled Content		Total Recyclable	
Overall Product			Overall Product	Percentage PIR of total weight (%)	Percentage PCR of total weight (%)	Overall Product	
Material type	Total Material type weight (g)	Percentage of Total Product Weight (%)	Material-Type Recycled Content (%)			Total Product Recyclable (g)	Total Product Recyclable (%)
Aluminium	110.6	35.9%	34.1%	18.1%	16.0%	110.6	35.9%
Zinc	24.2	7.9%	3.5%	1.7%	1.7%	24.2	7.9%
Steel	42.0	13.6%	1.8%	0.3%	1.5%	42.0	13.6%
Stainless Steel	2.0	0.6%	0.4%	0.2%	0.2%	2.0	0.6%
Plastic	129.2	41.9%	0.0%	0.0%	0.0%	129.2	41.9%
Total	308.0	100.0%	39.7%	20.3%	19.4%	308.0	100.0%

Due to calculation rounding there may be some small variations in displayed percentage totals.

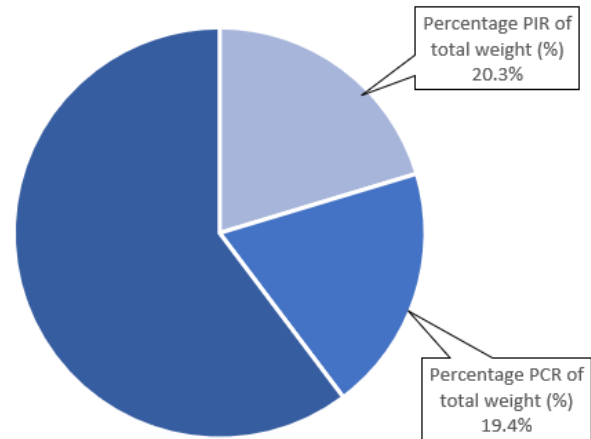
PIR = Post Industrial Recycled

PCR = Post Consumer Recycled

Total Product Weight (%)



Total Product Recycled Content (%)



CLEANING, STORAGE & MAINTENANCE

Routine servicing

Periodic inspection

Service components

Available to special order

Cleaning & Maintenance

Damp cloth, no abrasives, no solvents to be used on the cosmetic surfaces

Handling & Storage

Do not drop or expose to moisture

While every effort is made to ensure the accuracy of our technical information, Colebrook Bosson Saunders (Products) Ltd accept no liability for the accuracy of the information contained in this document and reserve the right to modify the specifications or data contained herein without prior notification.