



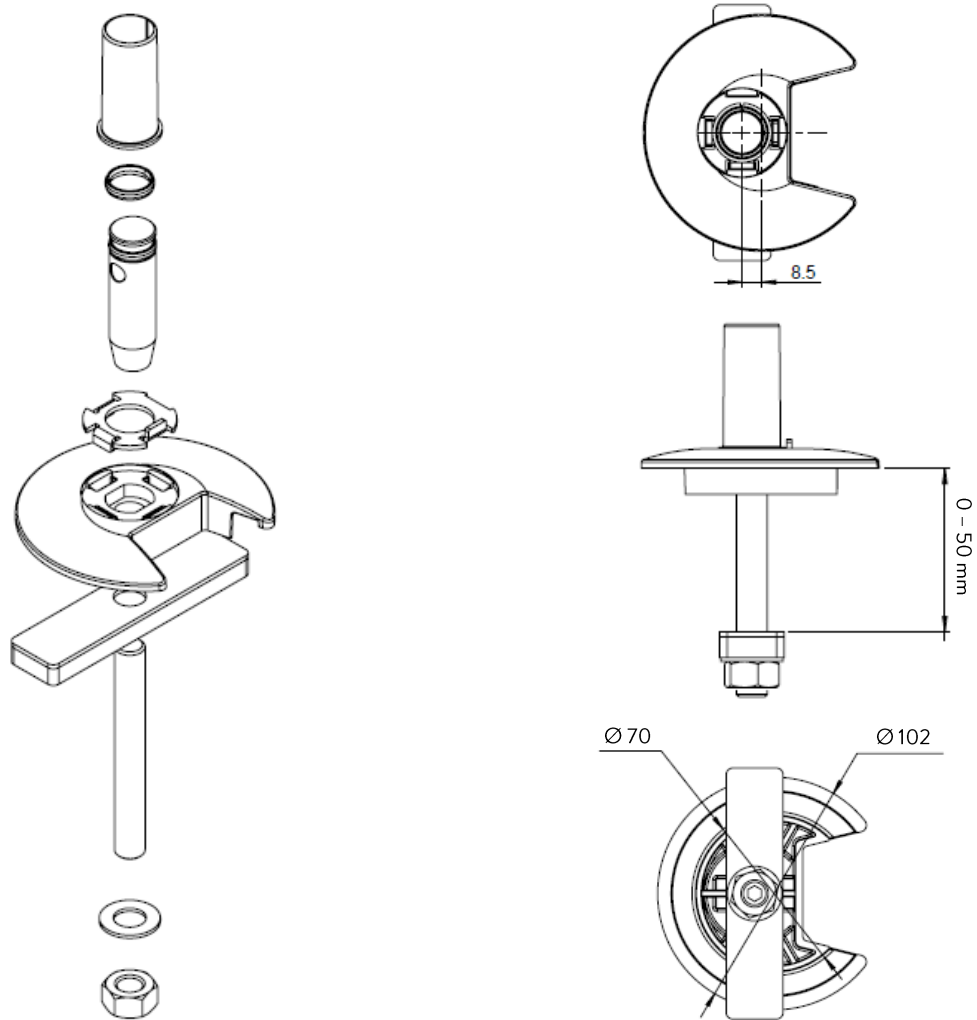
TECHNICAL SPECIFICATION SHEET

PRODUCT NAME: Flo Grommet Mount

PRODUCT CODE: DYN/013/CSG100

Doc Rev 4.

07.05.21 KO



*Note that dimensions provided are measured in mm

KEY FEATURES

- Mounts Flo arm into standard cable grommet hole
- Rounded contours will not damage cable
- Suitable for desk thickness of 0-50mm
- Suitable for standard 3" / 75mm diameter grommet hole
- Includes 90° and 180° stop function to accommodate grommet holes situated in either corner of the desk

| | |
|---------------------------------|----------------------------|
| Product Classification | Brackets, Clamps & Fixings |
| Max load | 9 kg (19.8 lbs) |
| Total recycled content | 25.65% |
| Total product recyclable | 100% |

LOGISTICAL

| | |
|--------------------------|---|
| Box contains | Cast grommet, fixing stud, spigot, 180/90 degree stop, bar, washer, nut, instructions |
| Product net weight: | 0.63kg |
| Box dims (HxWxD) | 140 x 120 x 32 mm |
| Box gross weight | 0.69kg |
| Carton quantity | 24 pcs |
| Master dims (HxWxD) | 285 x 255 x 225 mm |
| Master weight | 17.38kg |
| Country of origin | China |
| Country of configuration | UK |

ORDERING INFORMATION

| <u>Product Description</u> | <u>Product code</u> | <u>Colour</u> |
|-----------------------------------|----------------------------|-------------------------|
| Flo Grommet Mount | DYN/013/CSG100 | :/S Silver or :/W White |

WARRANTY

| | |
|----------------------|----------|
| Warranty Term | 12 years |
|----------------------|----------|

COMPLIANCE & SAFETY CERTIFICATION

Whilst no mandatory standards apply to the monitor arm product sector, all Colebrook Bosson Saunders monitor arms have been designed with appropriate articulation features, dimensional range and adjustability to conform to the requirements of BS EN ISO 9241:5 1999 Ergonomic requirements for office work with visual display terminals (VDTs).

| | |
|----------------------------------|-----|
| Conformance certification | N/A |
| Test authority | CBS |
| Safety certification | N/A |

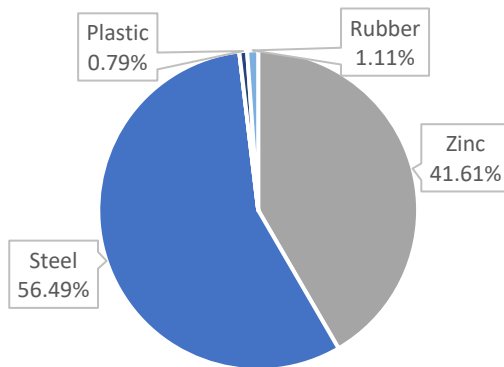
ENVIRONMENTAL

| Material Make-up | | | Total Recycled Content | Breakdown of Recycled Content | | Total Recyclable | |
|------------------|--------------------------------|--|------------------------------------|------------------------------------|------------------------------------|------------------------------|------------------------------|
| Overall Product | | | Overall Product | | | Overall Product | |
| Material type | Total Material type weight (g) | Percentage of Total Product Weight (%) | Material-Type Recycled Content (%) | Percentage PIR of total weight (%) | Percentage PCR of total weight (%) | Total Product Recyclable (g) | Total Product Recyclable (%) |
| Zinc | 263 | 41.61% | 18.31% | 9.16% | 9.16% | 263 | 41.61% |
| Steel | 357 | 56.49% | 7.34% | 1.25% | 6.09% | 357 | 56.49% |
| Plastic | 5 | 0.79% | 0.00% | 0.00% | 0.00% | 5 | 0.79% |
| Rubber | 7 | 1.11% | 0.00% | 0.00% | 0.00% | 7 | 1.11% |
| Total | 632 | 100.00% | 25.65% | 10.40% | 15.25% | 632.00 | 100.00% |

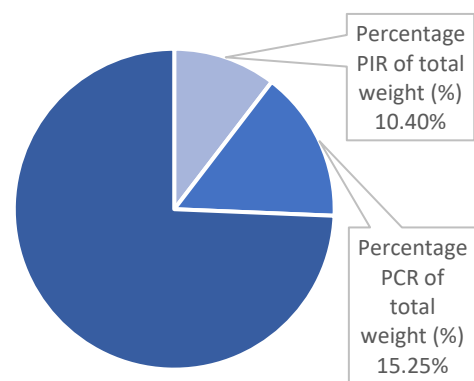
PIR = Post Industrial Recycled

PCR = Post Consumer Recycled

Total Product Weight (%)



Total Product Recycled Content (%)



CLEANING, STORAGE & MAINTENANCE

Routine servicing

Periodic inspection

Service components

Available to order

Cleaning & Maintenance

Damp cloth, no abrasives, no solvents to be used on the cosmetic surfaces

Handling & Storage

Do not drop or expose to moisture

While every effort is made to ensure the accuracy of our technical information, Colebrook Bosson Saunders (Products) Ltd accept no liability for the accuracy of the information contained in this document and reserve the right to modify the specifications or data contained herein without prior notification.