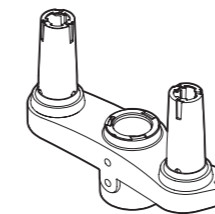


COMPONENT LIST

UNIVERSAL DUAL MOUNT BRACKET

UNI-DMB-INST-B-JUNE 2014



Dual Mount Bracket x 1



Top Caps x 2



Top Cap Sleeves x 2



Clamping Screw x 2



[Optional]
Washers x 2



[Optional]
180° Screws
and Nuts x 2



www.colebrookbossonsaunders.com

WARNING

- Total weight of mounted equipment must not exceed 34kg (78lbs).
- Ensure that the furniture and mounting structures are suitable to support the weight of the mounted equipment.
- Do not use this product for any purpose other than that for which it was designed.
 - Do not dismantle or modify the screen mounting.
 - Hold the screen tightly when making adjustments.
 - Care should be taken to avoid trapping fingers.

MAINTENANCE AND INSPECTION

- Ensure all screws are tightened and occasionally adjust if needed.
- Clean with a damp cloth, NO solvents.

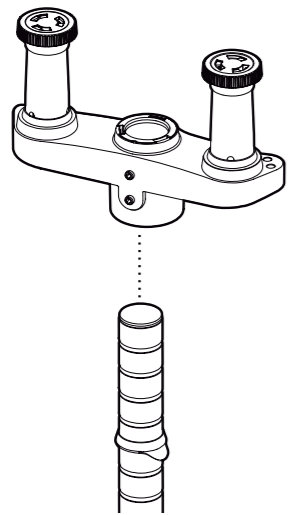
DISCLAIMERS

- The use of power tools, lever bars or excessive force during the installation, or re-configuration of the product will invalidate your guarantee.
- Failure to observe the recommendations in the use, and configuration of these products may affect your guarantee.

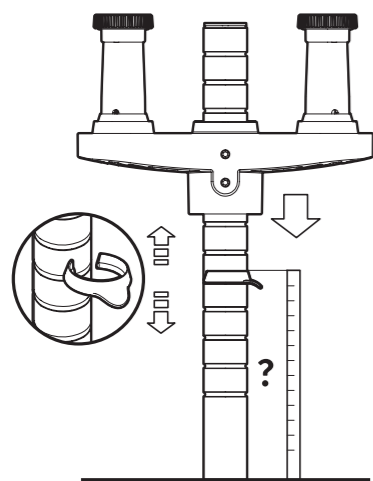
INSTALL DUAL MOUNT BRACKET

1

1A Fit Bracket onto Post

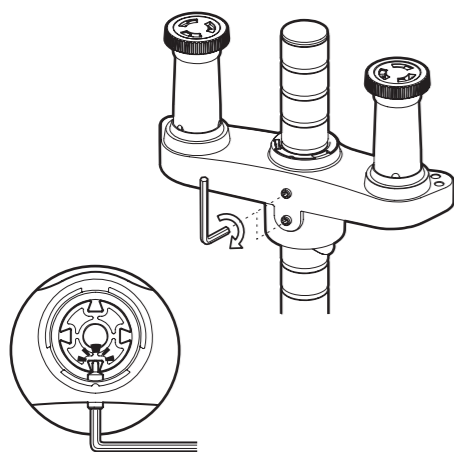


1B Set mounting height of Bracket



TIGHTEN CLAMP SCREWS

2

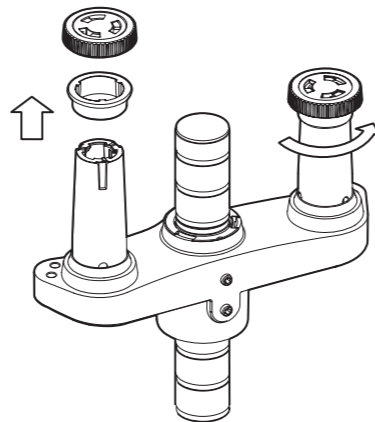


IMPORTANT
Fully tighten both screws

REMOVE TOP CAPS

3

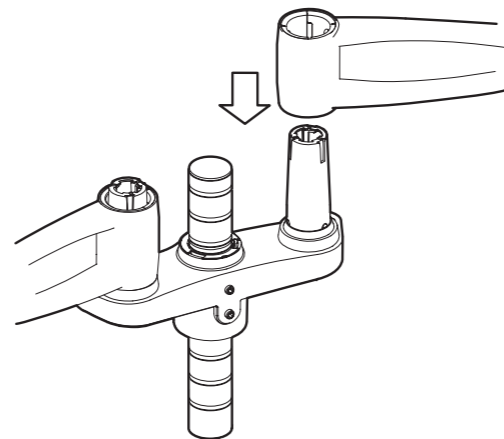
3A Unscrew Top Cap



3B Remove Top Cap, Sleeve and Washer

FIT MONITOR ARMS TO BRACKET

4

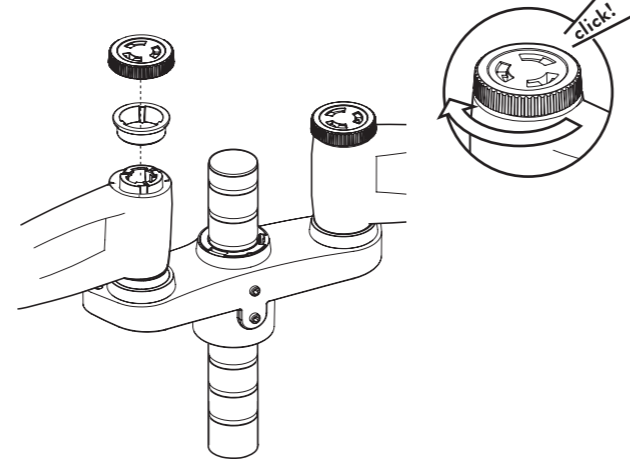


REFIT TOP CAPS

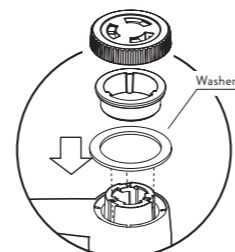
5

5A Refit Top Cap and Sleeve
[Note alignment of ribs into slots]

5B Screw Top Cap back in place

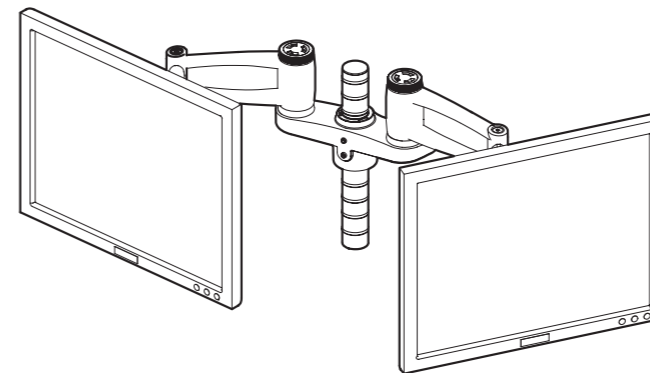


IMPORTANT
If there is a gap after refitting the Top Cap and Sleeve, use the additional Washers supplied in the position shown opposite



MOUNT MONITORS TO ARMS

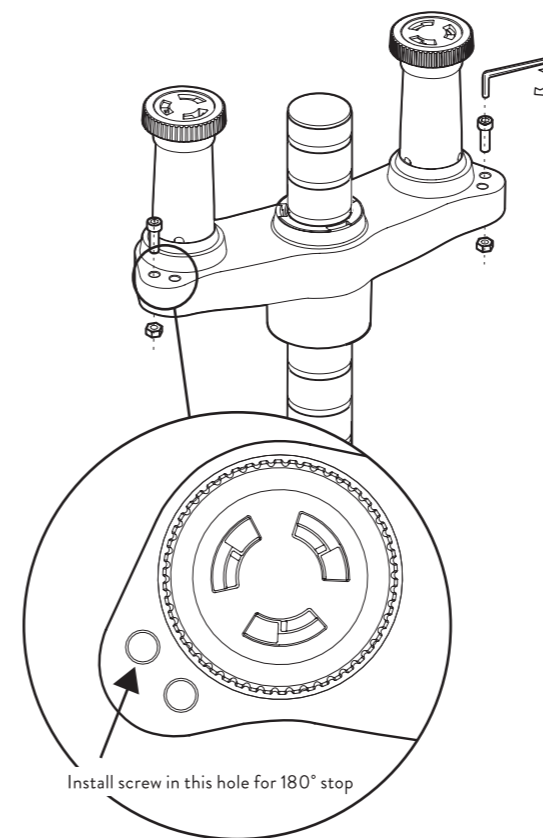
6



NOTE
Total mounted weight dependent on furniture mounting method.
For monitor mounting refer to monitor arm instructions

OPTIONAL: 180° STOP SCREWS

7



NOTE
Stops are compatible with Wishbone Plus monitor arm only