



## TECHNICAL SPECIFICATION SHEET

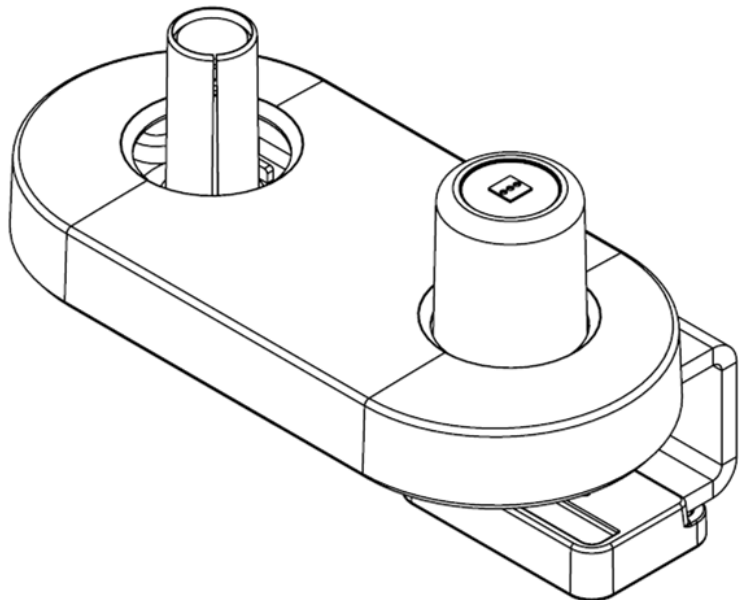
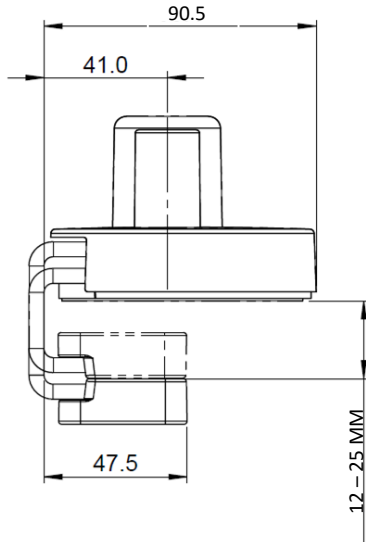
**PRODUCT NAME:** Flo Dual Top Mount Clamp

**PRODUCT CODE:** DYN/013/AS18

Doc Rev 2.

Product Rev #A

27.07.2016 CF



\*Note dimensions provided are measured in mm

### KEY FEATURES

- Configurable 180° stop system
- Top access screw position permits easy fitting from above-desk position
- Attractive cover conceals fixing screws
- Clamp pad ensures secure grip without damaging underside of work surface
- Spigot cover provided for clean finish for when only one arm is installed
- Suitable for desk thickness from 12-25mm

<b>Product Classification</b>	Brackets, Clamps & Fixings
<b>Max load</b>	18kg (39.6lb)
<b>Recycled content</b>	12%
<b>Total product recyclable</b>	100%

## LOGISTICAL

---

<b>Box contains</b>	Dual Clamp, clamp screws, clamp cover, spigot cover
<b>Product net weight:</b>	1.4 kg
<b>Box dims (HxWxD)</b>	190 x 95 x 105 mm
<b>Box gross weight</b>	1.5 kg
<b>Carton quantity</b>	8
<b>Master dims (HxWxD)</b>	400 x 230 x 190 mm
<b>Master weight</b>	13.6 kg
<b>Country of origin</b>	China
<b>Country of configuration</b>	UK

## ORDERING INFORMATION

---

<b><u>Product Description</u></b>	<b><u>Product code</u></b>	<b><u>Colour</u></b>
Flo Dual Top Mount Clamp	DYN/013/AS18	:/S Silver or :/W White

## WARRANTY

---

<b>Warranty Term</b>	Limited lifetime
----------------------	------------------

## COMPLIANCE & SAFETY CERTIFICATION

---

Whilst no mandatory standards apply to the monitor arm product sector, all Colebrook Bosson Saunders monitor arms have been designed with appropriate articulation features, dimensional range and adjustability to conform to the requirements of BS EN ISO 9241:5 1999 Ergonomic requirements for office work with visual display terminals (VDTs).

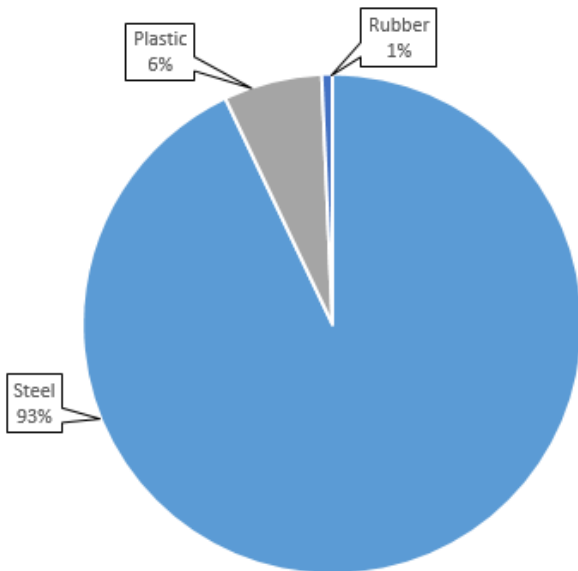
<b>Conformance certification</b>	N/A
<b>Test authority</b>	CBS
<b>Safety certification</b>	N/A

## ENVIRONMENTAL

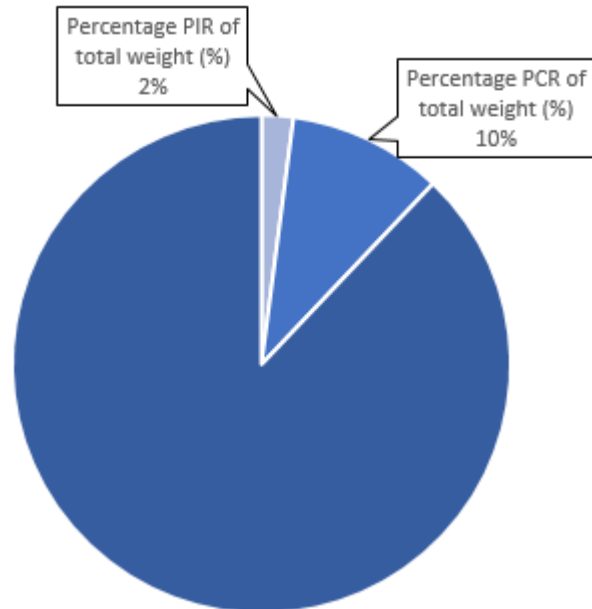
Material Make-up			Total Recycled Content	Breakdown of Recycled Content		Total Recyclable	
Overall Product			Overall Product			Overall Product	
Material type	Total Material type weight (g)	Percentage of Total Product Weight (%)	Material-Type Recycled Content (%)	Percentage PIR of total weight (%)	Percentage PCR of total weight (%)	Total Product Recyclable (g)	Total Product Recyclable (%)
Steel	1393.2	93%	12%	2%	10%	1393.2	92.95%
Plastic	95.4	6%	0%	0%	0%	95.4	6.36%
Rubber	10.3	1%	0%	0%	0%	10.3	0.69%
<b>Total</b>	<b>1498.9</b>	<b>100%</b>	<b>12%</b>	<b>2%</b>	<b>10%</b>	<b>1498.9</b>	<b>100.00%</b>

PIR = Post Industrial Recycled  
PCR = Post Consumer Recycled

Total Product Weight (%)



Total Product Recycled Content (%)



## CLEANING, STORAGE & MAINTENANCE

### Routine servicing

Periodic inspection

### Service components

Available to order

### Cleaning & Maintenance

Damp cloth, no abrasives, no solvents to be used on the cosmetic surfaces

### Handling & Storage

Do not drop or expose to moisture

While every effort is made to ensure the accuracy of our technical information, Colebrook Bosson Saunders (Products) Ltd accept no liability for the accuracy of the information contained in this document and reserve the right to modify the specifications or data contained herein without prior notification.