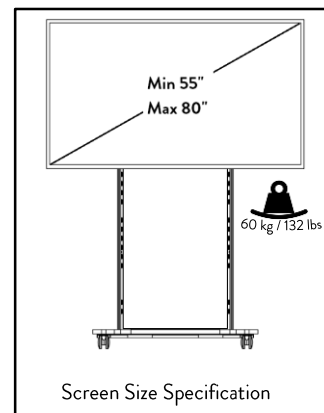
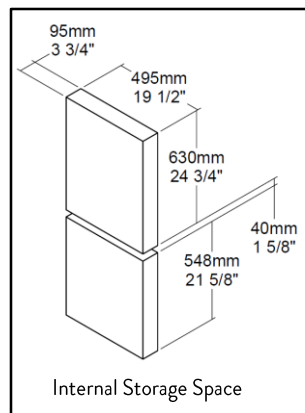
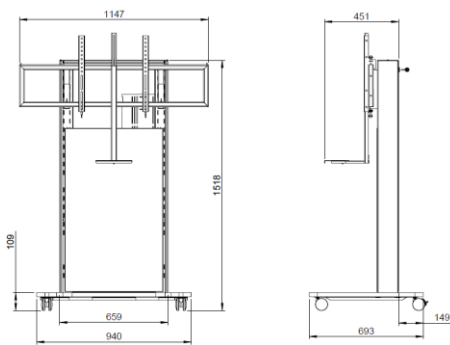
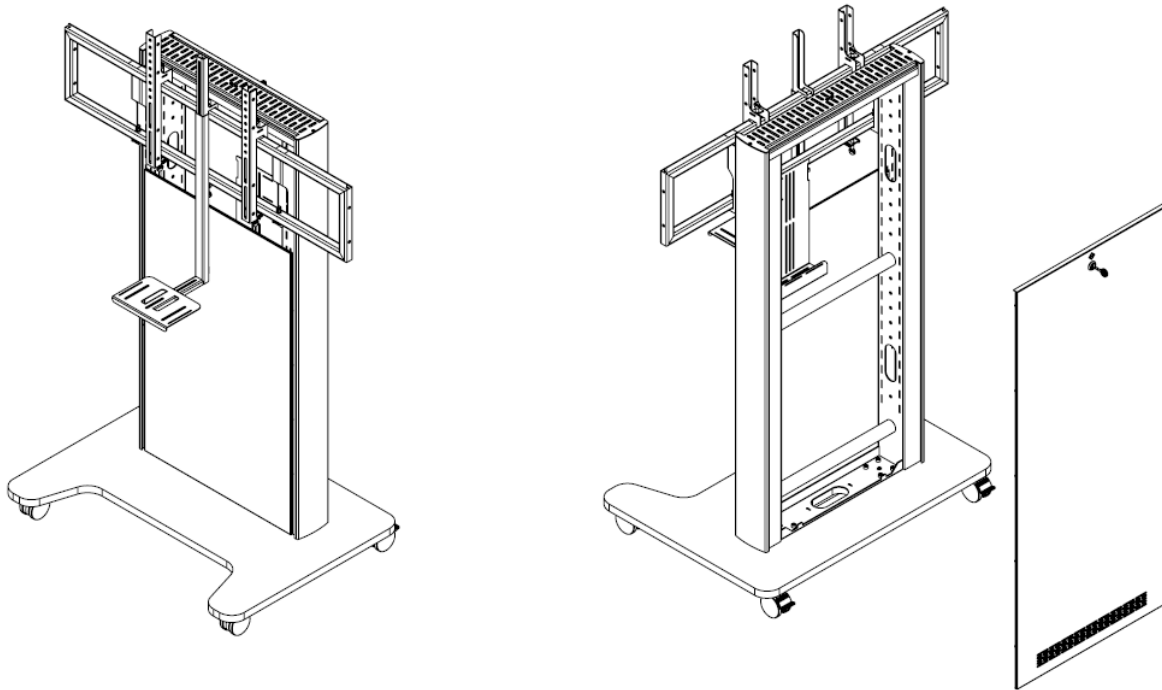




# Product Configuration Sheet

## AV/VC One – Single Screen VC Configuration

Doc Rev 1. 24.05.2016.



\*Note that dimensions provided are measured in mm

### KEY FEATURES

- Suitable for mounting large format display screens from 55" to 80" in screen size / max weight 60kg
- Column designed for cable management and storing equipment securely with lockable back panel
- Hooking system to permit quick and easy mounting of core parts and accessories
- Ventilation and cable management features throughout
- Low profile base includes a cut out at the front to allow easy access for touch screen use
- Lockable castors
- Camera mount can be positioned above or below screen with a range of adjustability
- Codec mount can be positioned at a range of heights

## ORDERING INFORMATION

---

In order to achieve the AV/VC One – Single Screen VC configuration please order the below parts

### Product Description

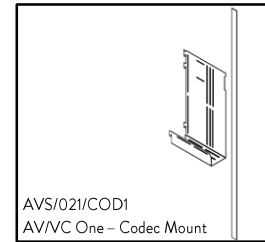
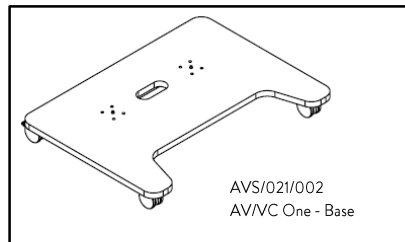
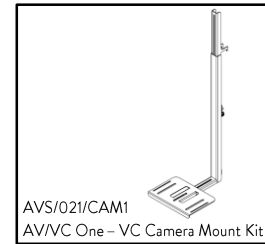
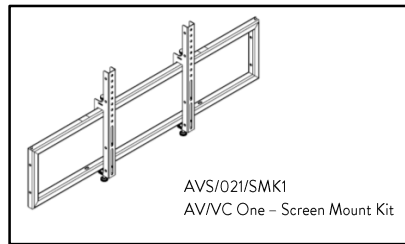
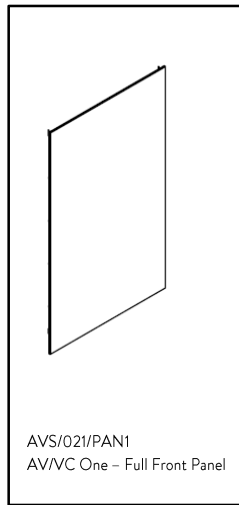
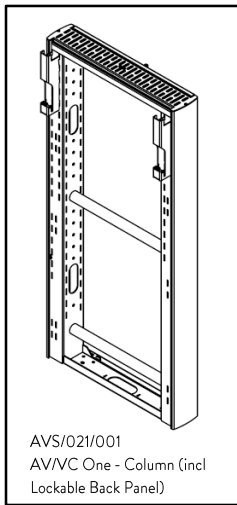
AV/VC One Column incl Back Panel  
 AV/VC One Screen Mount Kit  
 AV/VC One Base  
 AV/VC One Full Front Panel  
 AV/VC One Camera Mount  
 AV/VC One Codec Mount

### Product code

AVS/021/001  
 AVS/021/SMK  
 AVS/021/002  
 AVS/021/PAN1  
 AVS/021/CAM1  
 AVS/021/COD1

### Colour

:/W White or :/B Black  
 :/W White or :/B Black  
 :/W White or :/B Black  
 :/W White or :/B Black  
 :/W White or :/B Black  
 :/B Black



Additional accessories available

## WARRANTY

---

**Warranty Term**            Limited lifetime

## COMPLIANCE & SAFETY CERTIFICATION

---

Whilst no mandatory standards apply to the AV/VC accessory product sector, this product is tested to CBS's own standard which is based on UL 1678, (Tall display stands in public spaces, excluding hospitals, schools or similar environments where children, people with diminished capacity or disabilities are likely to move

**Conformance certification**    N/A  
**Test authority**                    CBS  
**Safety certification**            N/A

## CLEANING, STORAGE & MAINTENANCE

---

<b>Routine servicing</b>	Periodic inspection
<b>Service components</b>	Available to order
<b>Cleaning &amp; Maintenance</b>	Damp cloth, no abrasives, no solvents to be used on the cosmetic surfaces
<b>Handling &amp; Storage</b>	Do not drop or expose to moisture

---

Colebrook Bosson Saunders (Products) Ltd accept no liability for the accuracy of the information contained herein and retain the right to modify the specifications or data contained herein without prior notification.

**For any further information please refer to the individual specification sheets**