



TECHNICAL SPECIFICATION SHEET

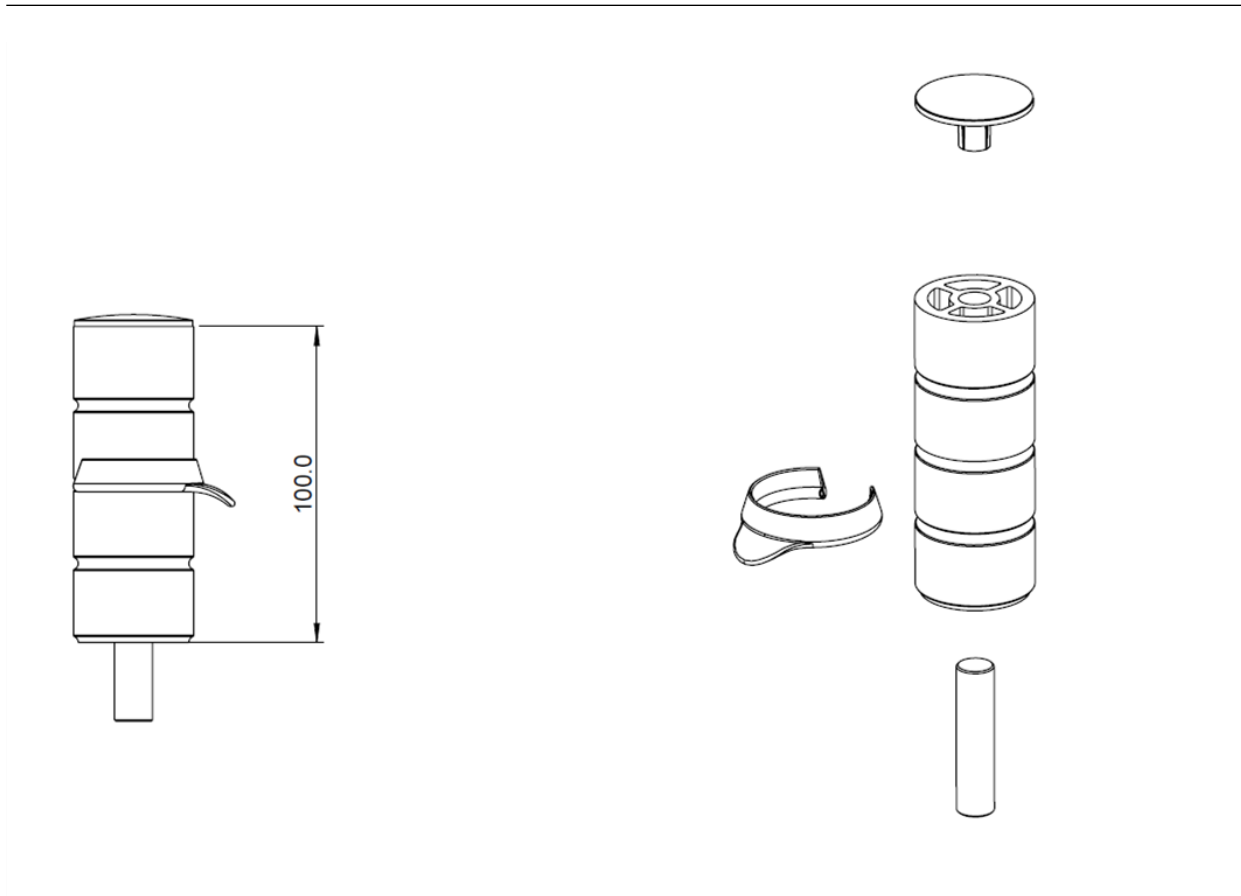
PRODUCT NAME: 100mm Wishbone Post incl. extension stud

PRODUCT CODE: WSH/PST100/EK

Doc Rev 2.

Product Rev #E

15.08.2016 CF



*Note dimensions provided are measured in mm

KEY FEATURES

- Compatible with all CBS post mounted arms
- Extendable to fit any configuration requirement
- High load bearing capacity
- Durable anodised finish
- Comes with location ring & extensions stud
- Wide range of desk mounting options

Product Classification	Post
Max load	N/A
Recycled content	85.3%
Total product recyclable	100%

LOGISTICAL

Box contains	Post, cap, location ring, extension stud
Product net weight:	0.2kg
Box dims (HxWxD)	125 x 55 x 55 mm
Box gross weight	2.3 kg
Carton quantity	20
Master dims (HxWxD)	150 x 240 x 300 mm
Master weight	4.6 kg
Country of origin	China
Country of configuration	UK

ORDERING INFORMATION

<u>Product Description</u>	<u>Product code</u>	<u>Colour</u>
100mm Wishbone Post incl. extension stud	WSH/PST100/EK	:/Silver

WARRANTY

Warranty Term	Limited lifetime
----------------------	------------------

COMPLIANCE & SAFETY CERTIFICATION

Whilst no mandatory standards apply to the monitor arm product sector, all Colebrook Bosson Saunders monitor arms have been designed with appropriate articulation features, dimensional range and adjustability to conform to the requirements of BS EN ISO 9241:5 1999 Ergonomic requirements for office work with visual display terminals (VDTs).

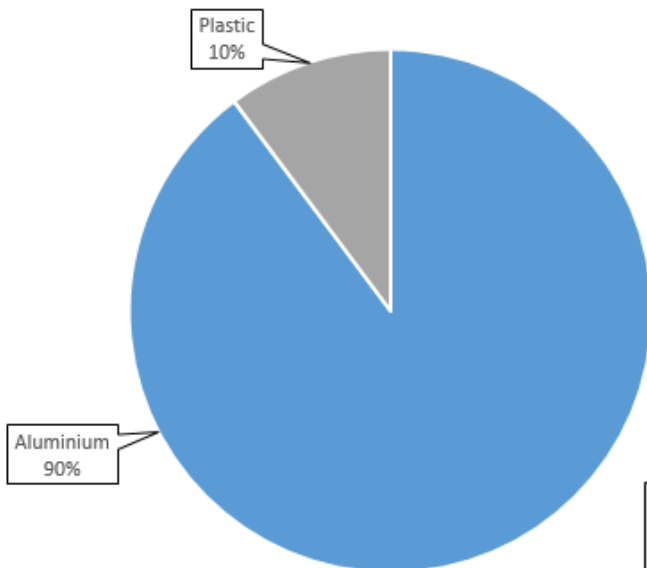
Conformance certification	N/A
Test authority	CBS
Safety certification	N/A

ENVIRONMENTAL

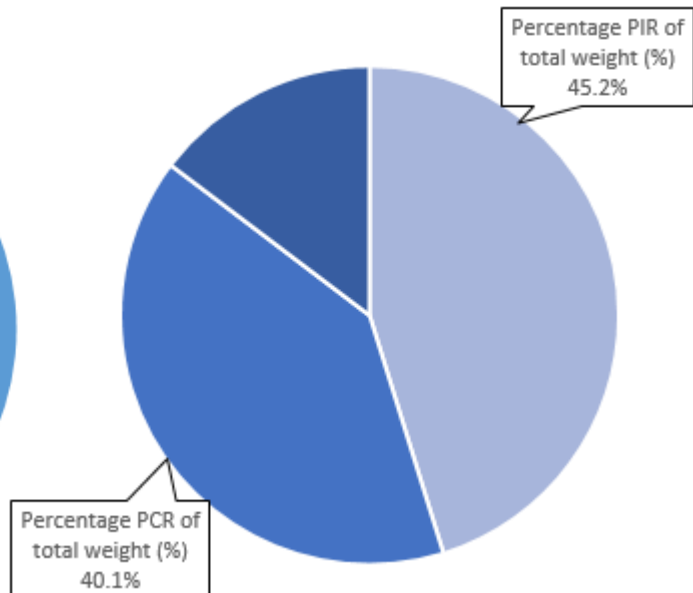
Material Make-up			Total Recycled Content	Breakdown of Recycled Content		Total Recyclable	
Overall Product			Overall Product			Overall Product	
Material type	Total Material type weight (g)	Percentage of Total Product Weight (%)	Material-Type Recycled Content (%)	Percentage PIR of total weight (%)	Percentage PCR of total weight (%)	Total Product Recyclable (g)	Total Product Recyclable (%)
Aluminium	167	90%	85.3%	45.2%	40.1%	167.00	90%
Plastic	19	10%	0.0%	0.0%	0.0%	19.00	10%
Total	186	100%	85.3%	45.2%	40.1%	186.00	100%

PIR = Post Industrial Recycled
PCR = Post Consumer Recycled

Total Product Weight (%)



Total Product Recycled Content (%)



CLEANING, STORAGE & MAINTENANCE

Routine servicing

Periodic inspection

Service components

Available to order

Cleaning & Maintenance

Damp cloth, no abrasives, no solvents to be used on the cosmetic surfaces

Handling & Storage

Do not drop or expose to moisture

While every effort is made to ensure the accuracy of our technical information, Colebrook Bosson Saunders (Products) Ltd accept no liability for the accuracy of the information contained in this document and reserve the right to modify the specifications or data contained herein without prior notification.