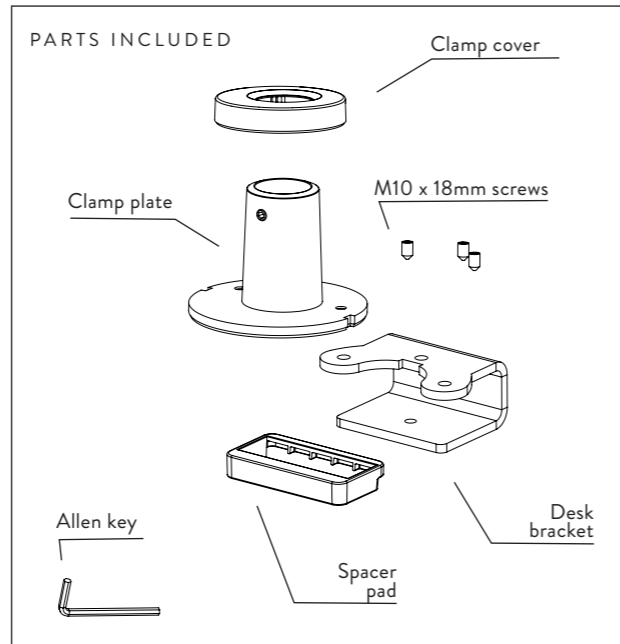
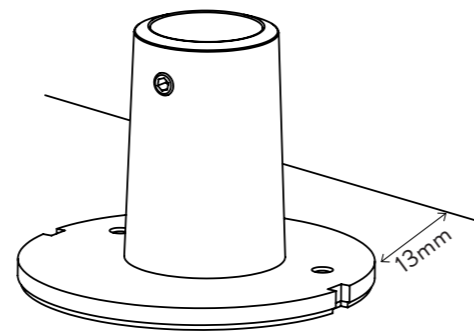


HIGH LOAD TOP MOUNT CLAMP

UNI-HLC-002-INST-C-OCT 2017

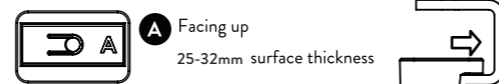
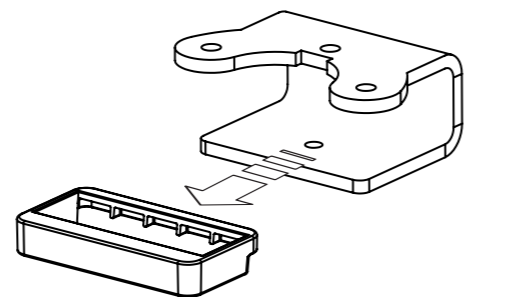


1 POSITION CLAMP PLATE ONTO WORK SURFACE

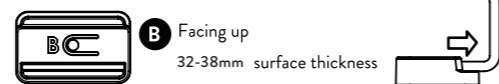


Position clamp 13mm from edge of desk

2 CONFIGURE SPACER PAD

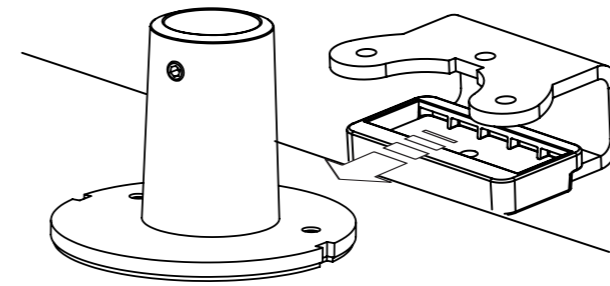


A Facing up
25-32mm surface thickness



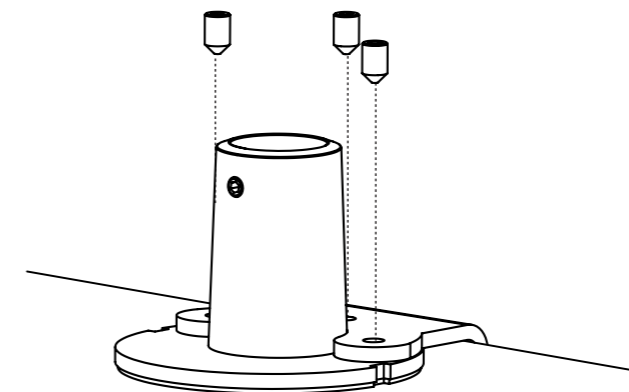
B Facing up
32-38mm surface thickness

3 INSTALL GRUB SCREWS AND CLAMP PADS

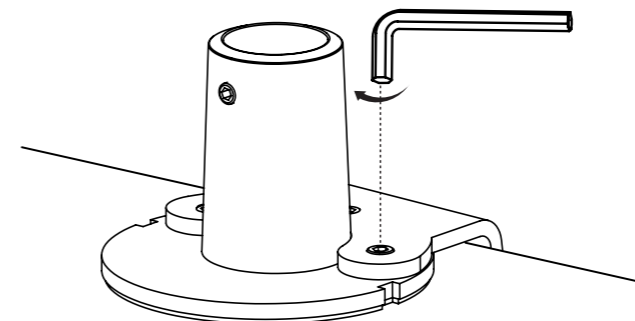


IMPORTANT NOTE
Ensure inside of bracket is flush against back of work surface

4 FIT M10 x 18 SCREWS

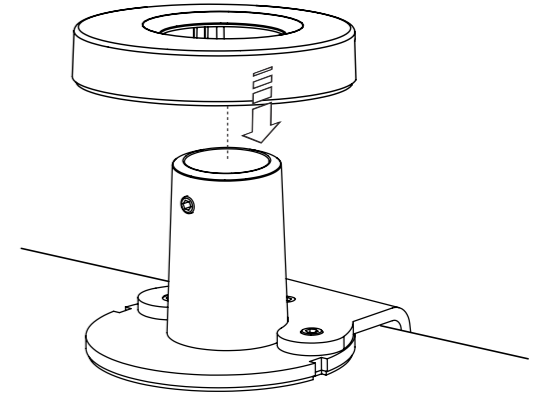


5 FULLY TIGHTEN M10 X 18 SCREWS

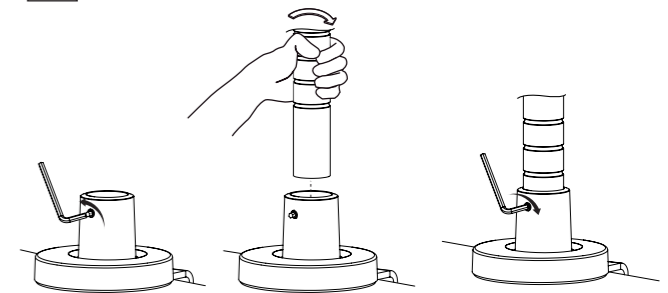


IMPORTANT NOTE
Ensure screws are equally tightened

6 FIT CLAMP COVER



7 FIT POST



Loosen grub screw Insert post Tighten grub screw

IMPORTANT NOTE
Ensure post is fully inserted

WARNING

- Do not use this product for any purpose other than that for which it was designed
- Ensure desk/work surface is suitable to take the weight of the arm/s and monitors
- Supported weight must not exceed the maximum load per arm
- Take care when installing as fingers could become trapped

MAINTENANCE AND INSPECTION

- Ensure all screws and fixings are fully tightened and occasionally re-tighten if necessary.
- Clean with a damp cloth. DO NOT use solvents.

DISCLAIMERS

- The use of power tools, lever bars or excessive force during the installation, or re-configuration of the product will invalidate your guarantee
- Failure to observe the recommendations in the use, and configuration of these products may affect your guarantee
- As part of Colebrook Bosson Saunders ongoing product improvement programme, the design of products may change without prior notice and details may vary from those illustrated.

PATENTS

Colebrook Bosson Saunders hold a number of patents and other intellectual property rights covering our products and processes. You can find patent information on our website at: www.colebrookbossonsaunders.com/patents